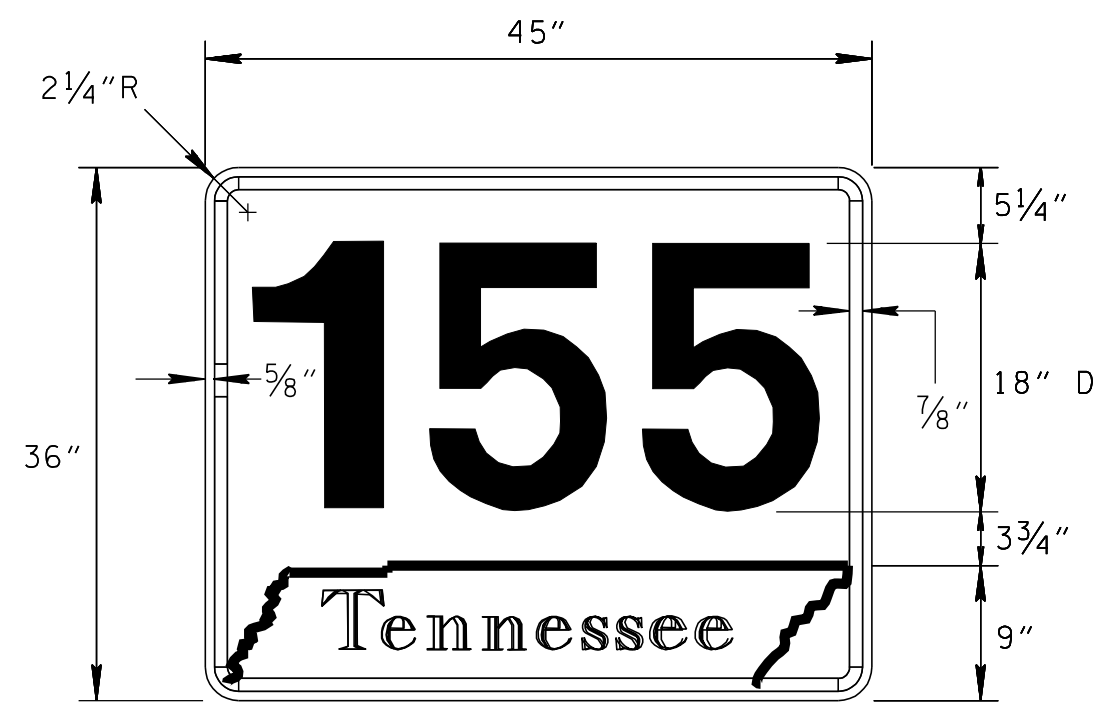
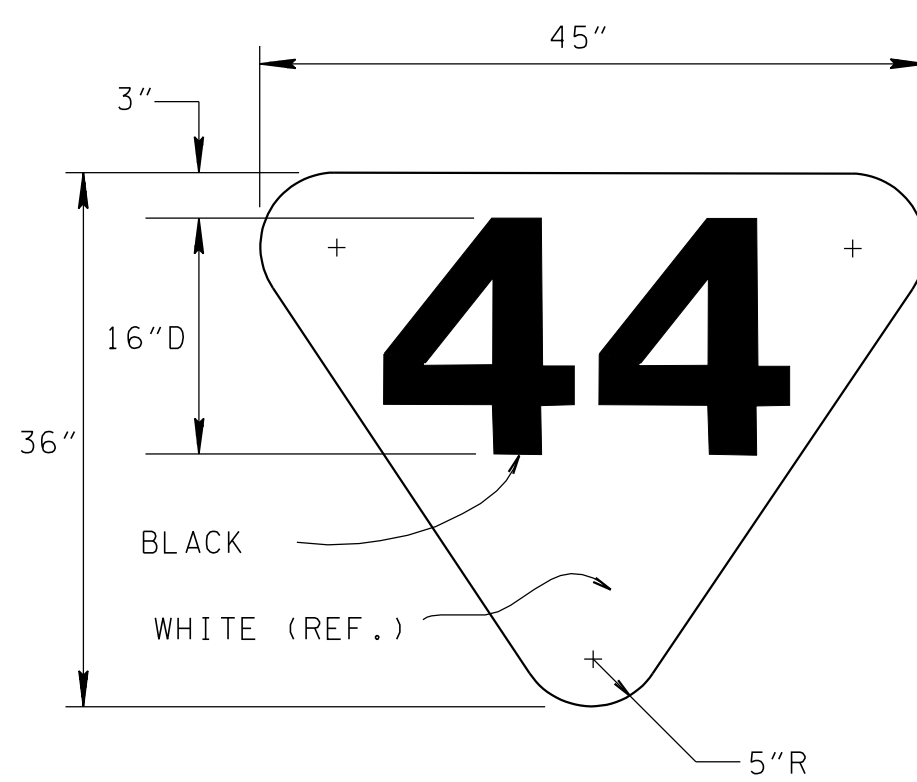


STATE PRIMARY ROUTE MARKER  
1 & 2 DIGITS (DEMOUNTABLE)

NOTE: THE COLOR OF THE BACKGROUND IS WHITE (REFLECTIVE) AND THE COPY IS BLACK.

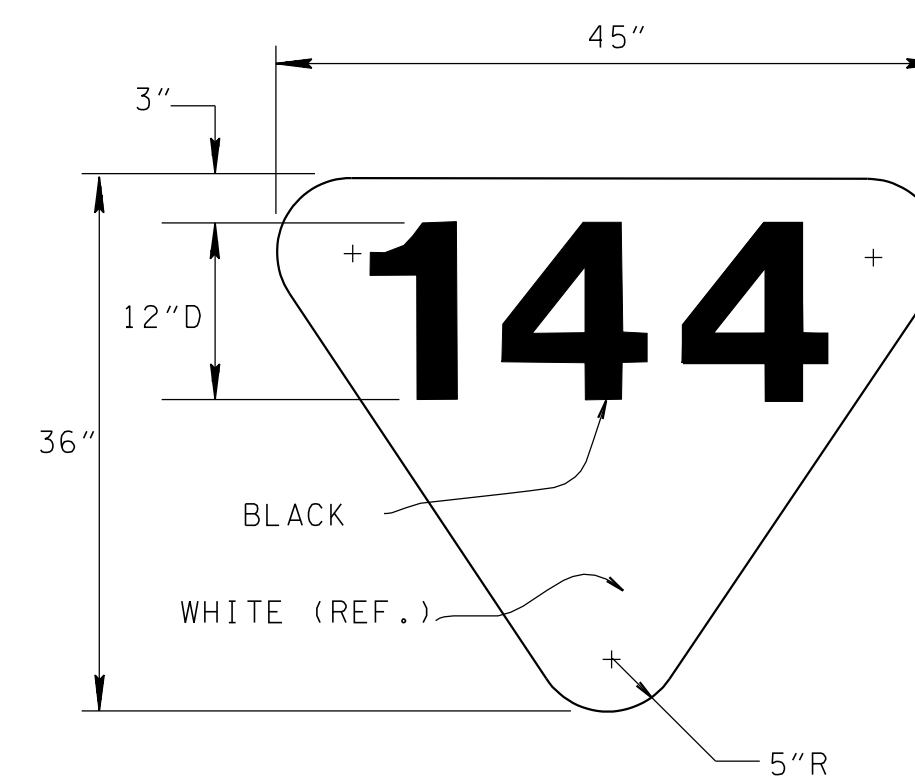


STATE PRIMARY ROUTE MARKER  
3 DIGITS (DEMOUNTABLE)



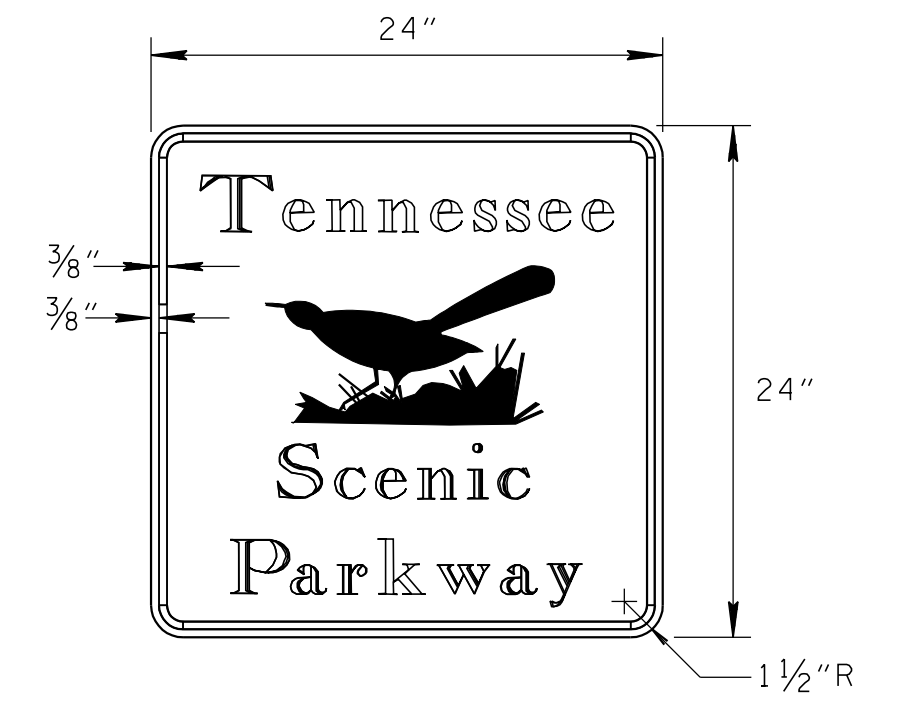
STATE SECONDARY ROUTE MARKER  
1 & 2 DIGITS (DEMOUNTABLE)

NOTE: ON DEMOUNTABLE STATE SHIELDS USE PROPORTIONAL DIMENSIONS FOR SMALLER SIZES. SEE SIGN SCHEDULE FOR PROPER NUMERALS AND SIZE.



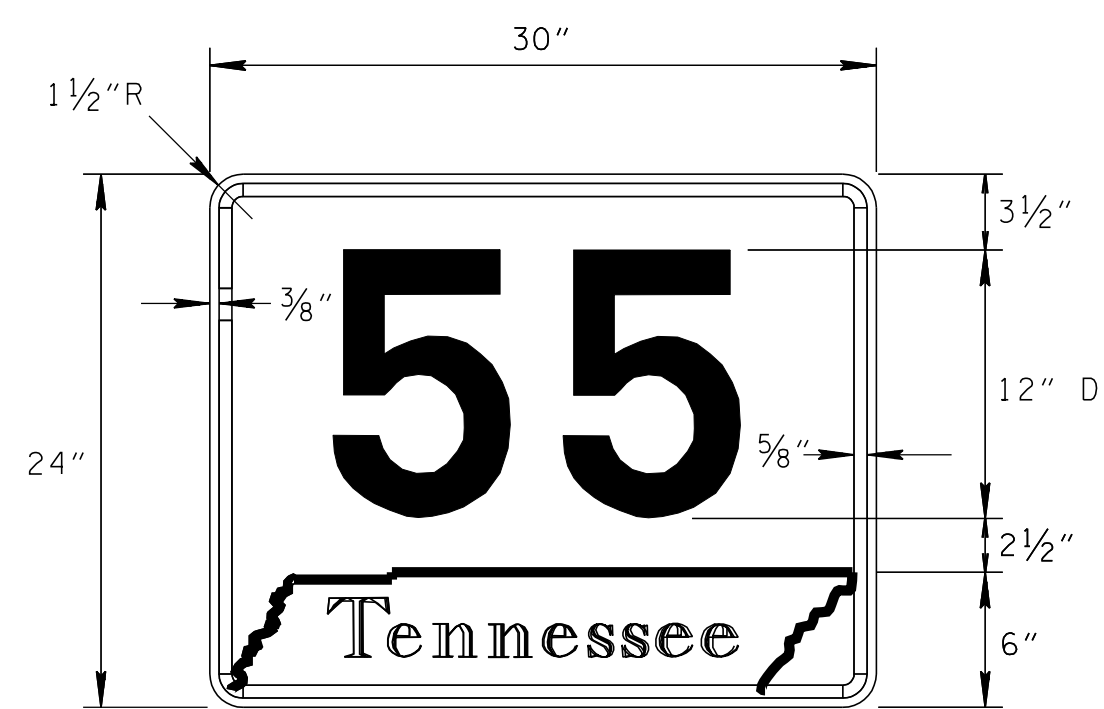
STATE SECONDARY ROUTE MARKER  
3 DIGITS (DEMOUNTABLE)

NOTE: THE COLOR OF THE BACKGROUND IS WHITE (REFLECTIVE) AND THE COPY IS BLACK.

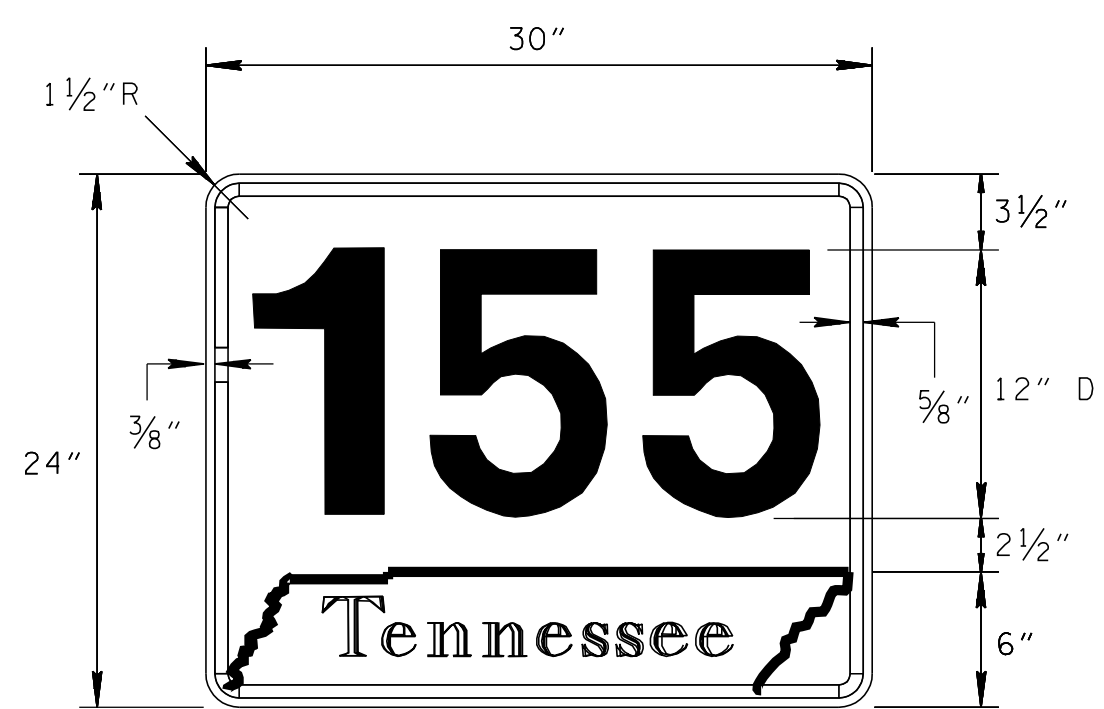


TENNESSEE SCENIC  
PARKWAY MARKERS

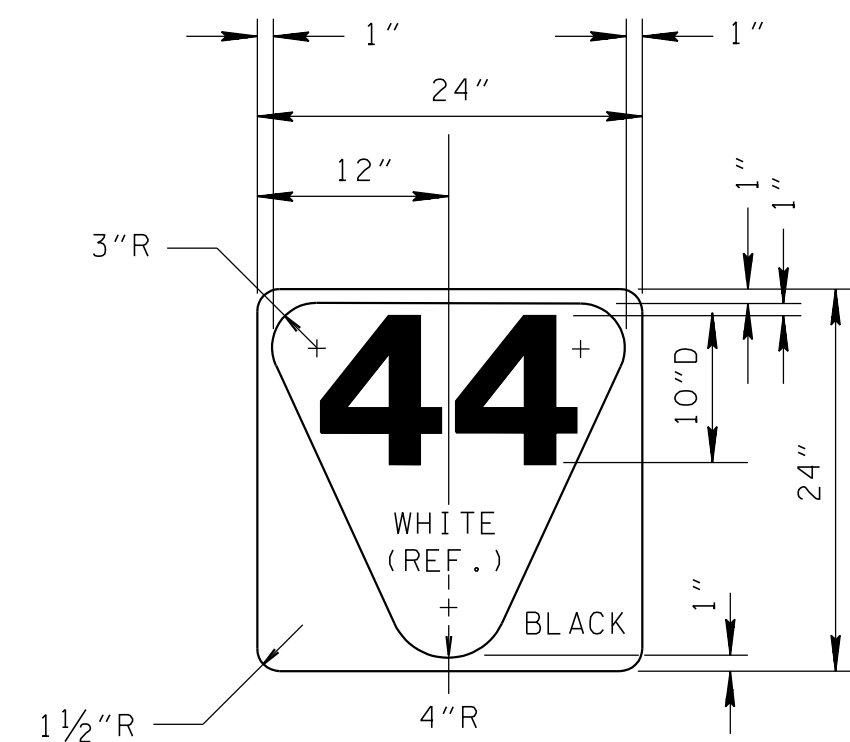
NOTE: THE COLOR OF THE BACKGROUND IS WHITE (REFLECTIVE) AND THE COPY IS GREEN.



STATE PRIMARY ROUTE MARKER  
1 & 2 DIGITS

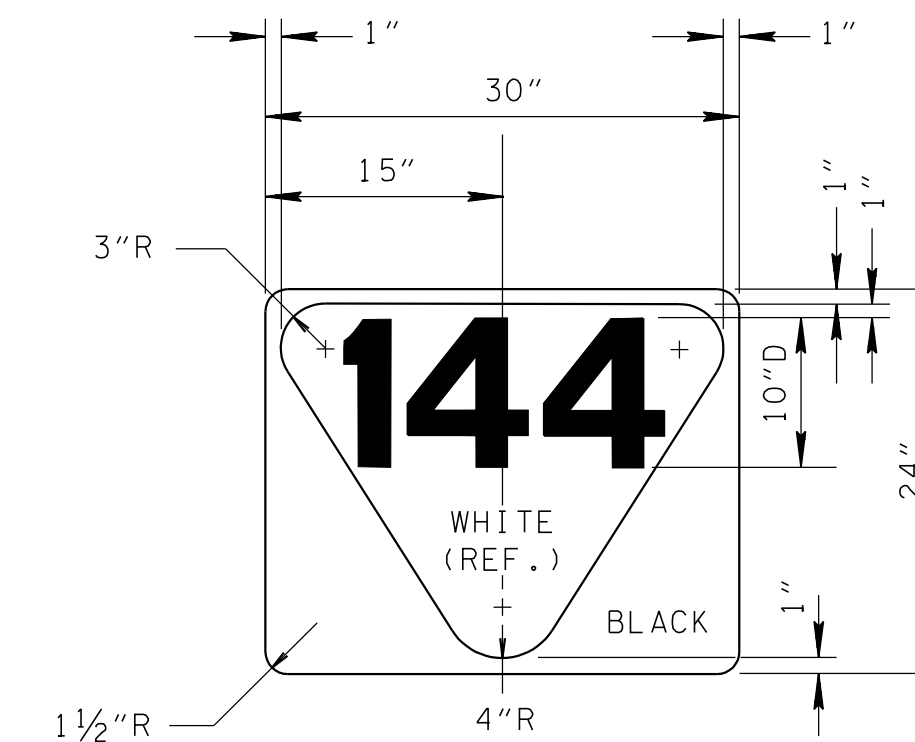


STATE PRIMARY ROUTE MARKER  
3 DIGITS

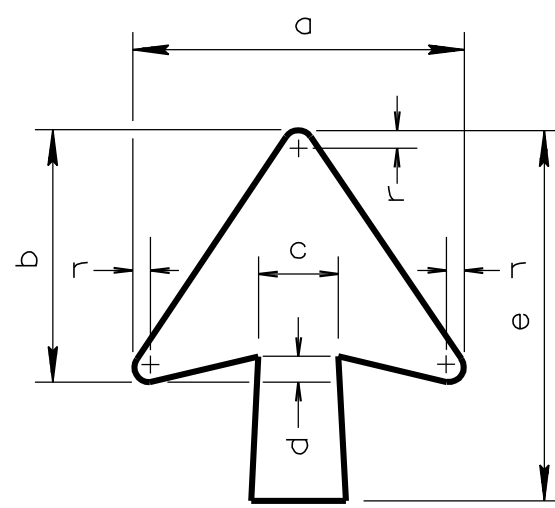


STATE SECONDARY ROUTE MARKER  
1 & 2 DIGITS

NOTE: ON ONE-DIGIT ROUTES USE 12" SERIES "D" NUMERALS

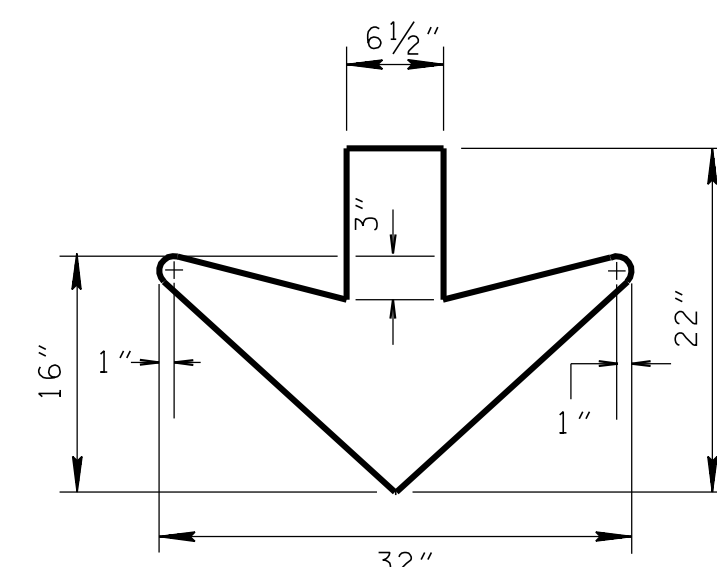


STATE SECONDARY ROUTE MARKER  
3 DIGITS

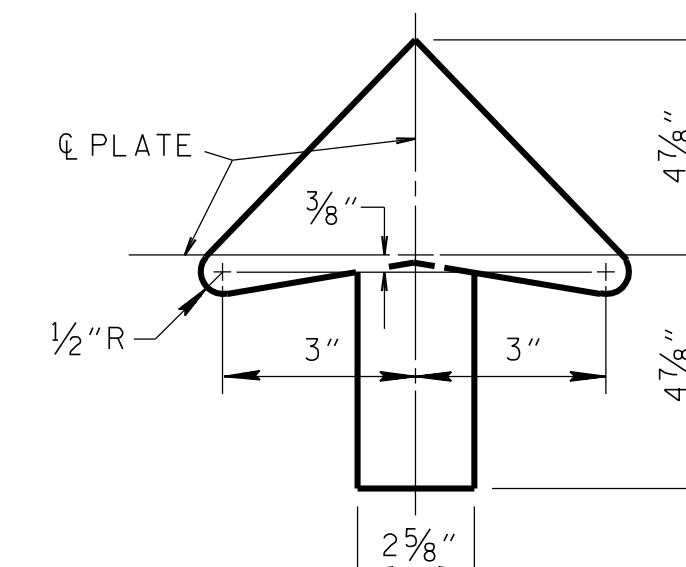


TYPE A,B,C AND D

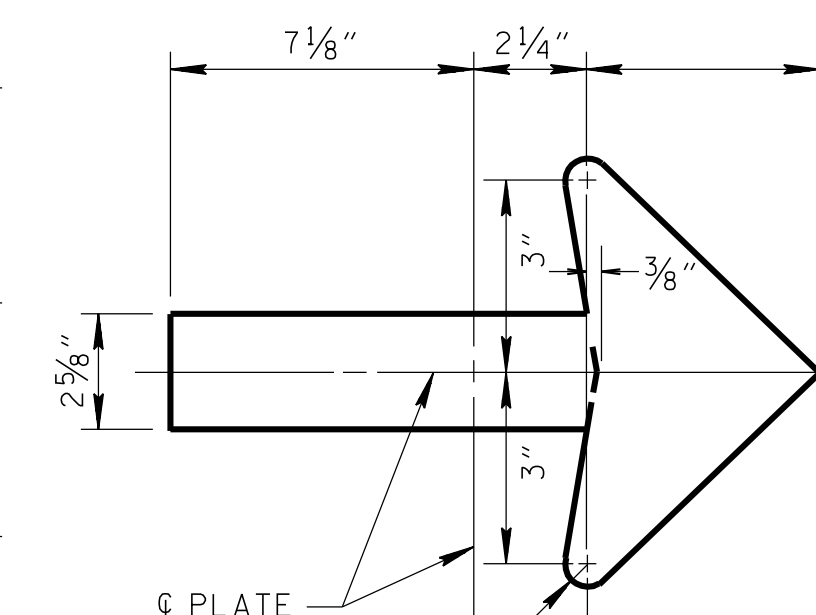
TYPE	LETTER SIZE	ARROW DIMENSIONS IN INCHES					
		a	b	c	d	* e	r
A	8" U.C., 10 2/3" U.C.	8	5	2 1/2	1/2	12	1/2
B	8" CAP	15 1/8	11 9/16	3 3/4	1 5/16	17	1 3/16
C	13 1/3" U.C., 10"-12" CAP.	18 1/4	14	4 1/2	1 1/2	20	3/4
D	16" U.C.	22 1/4	17	5 3/8	1 3/4	25	1



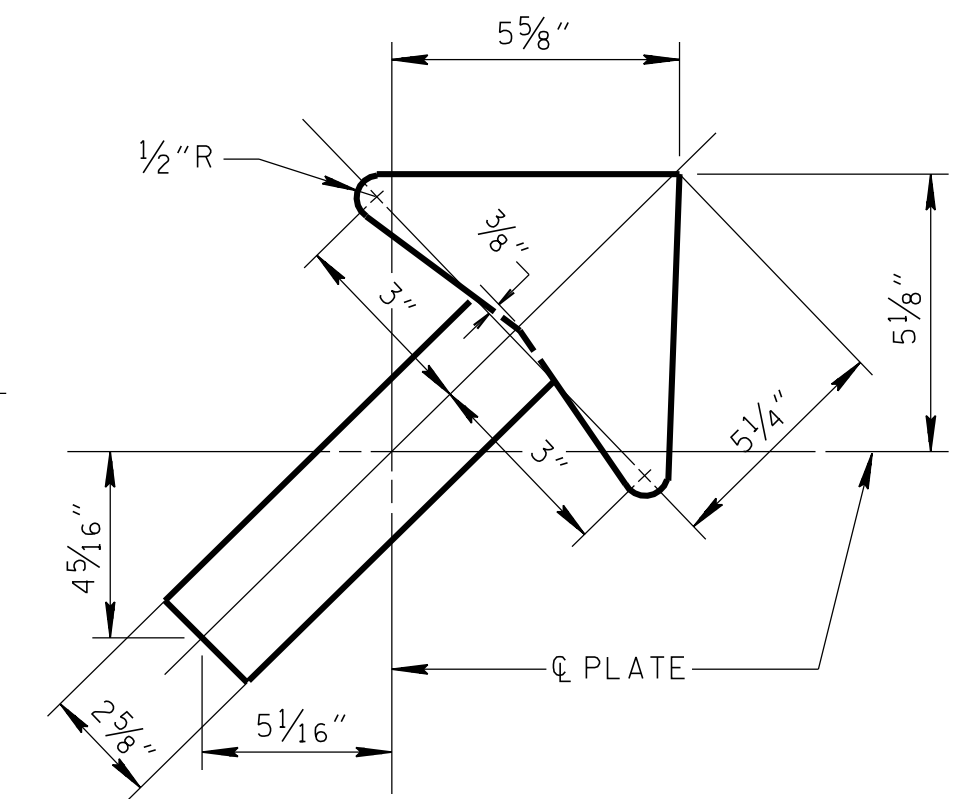
TYPE H



TYPE I

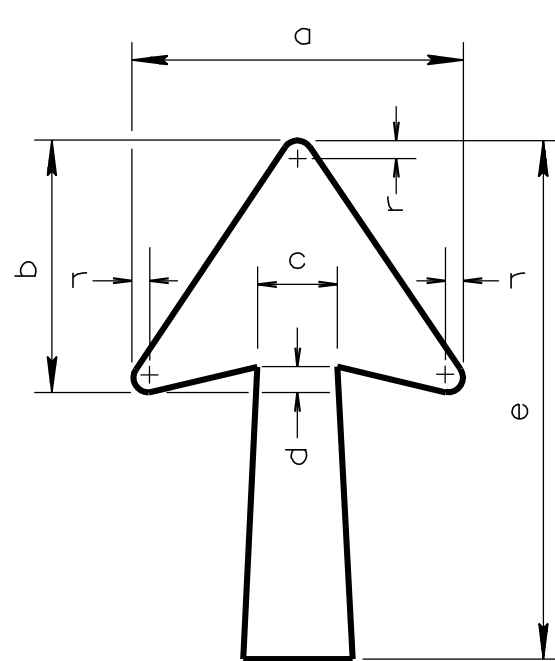


TYPE J



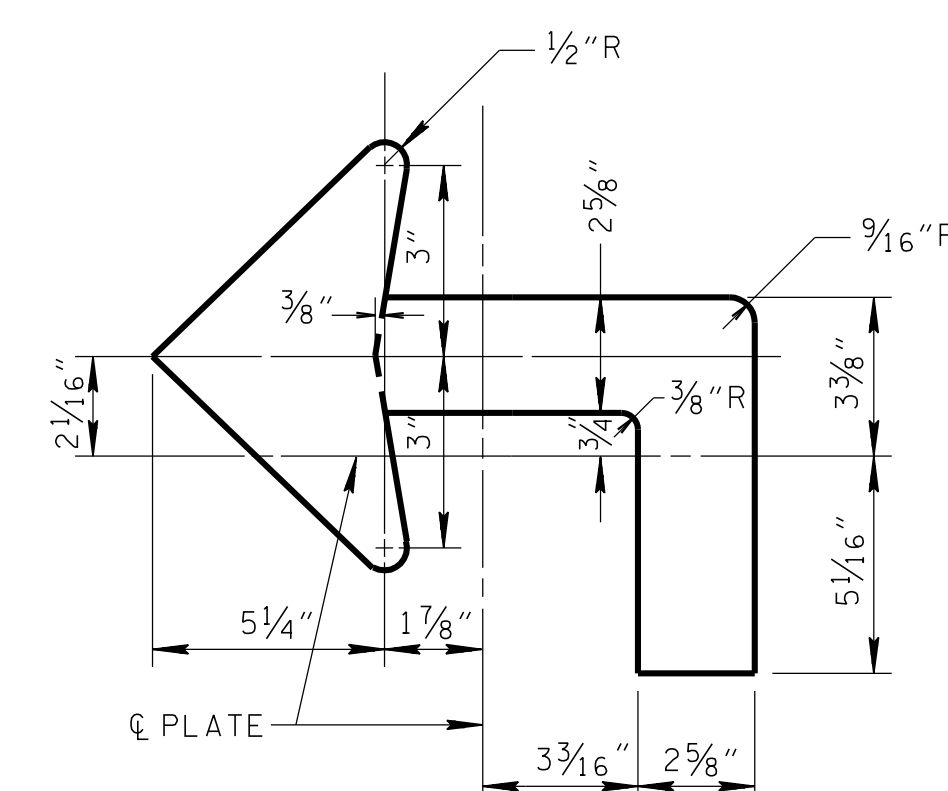
TYPE K

\* HOLD TAPER CONSTANT FOR ANY SHAFT LENGTH (HALF INCH PER FOOT)  
SHAFT LENGTH = e - b + d

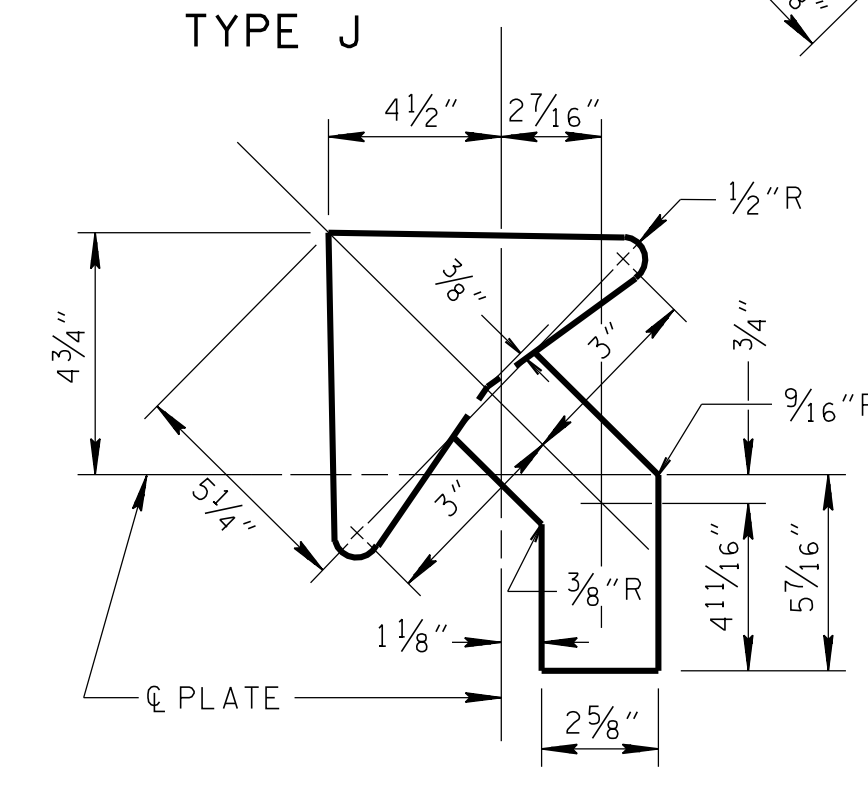


TYPE E,F, AND G

TYPE	LETTER SIZE	ARROW DIMENSIONS IN INCHES					
		a	b	c	d	* e	r
E	8" CAP	15 1/8	11 9/16	3 3/4	1 5/16	25	1 3/16
F	13 1/3" U.C., 10"-12" CAP.	18 1/4	14	4 1/2	1 1/2	30	3/4
G	16" U.C.	22 1/4	17	5 3/8	1 3/4	35	1



TYPE L



TYPE M