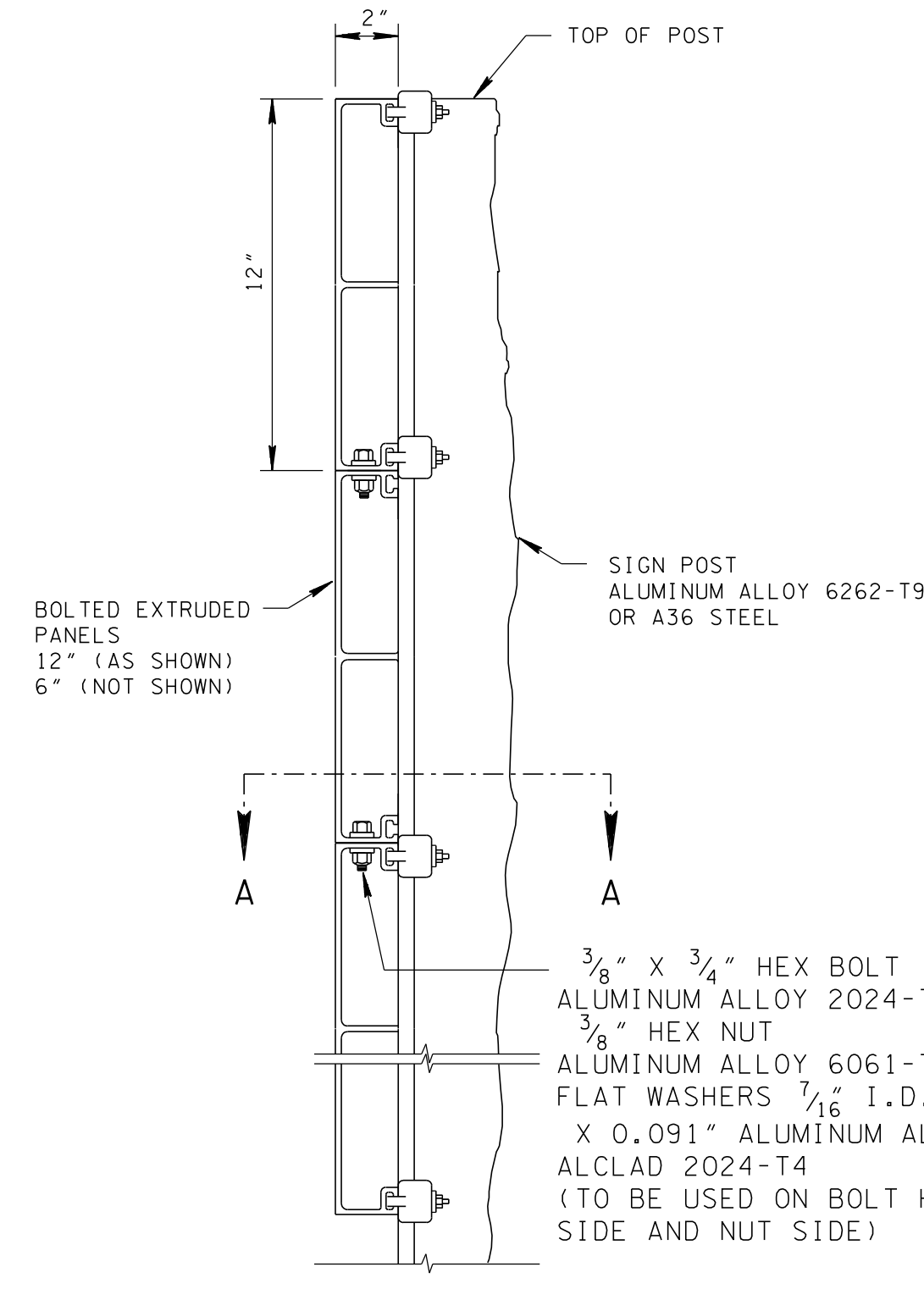
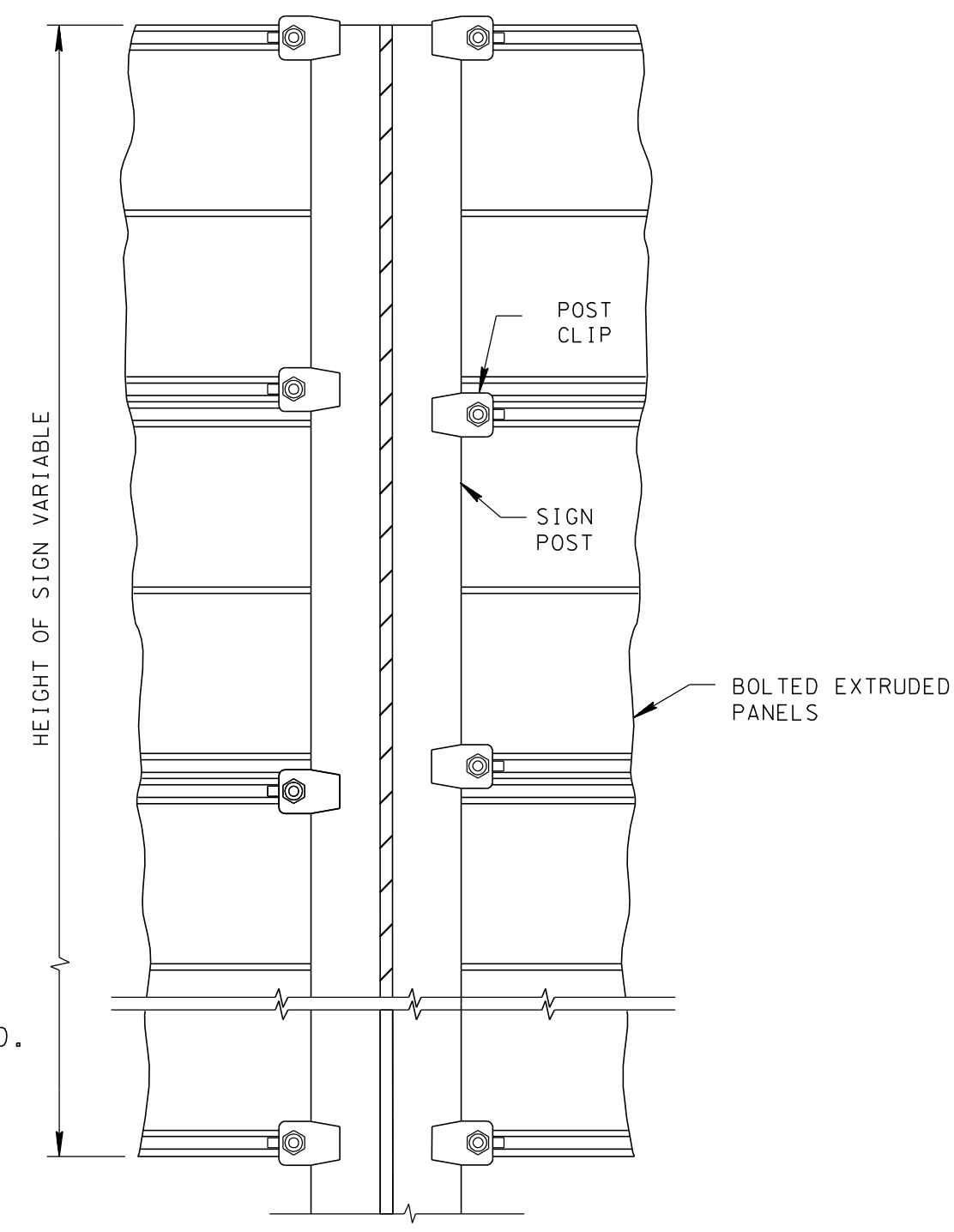


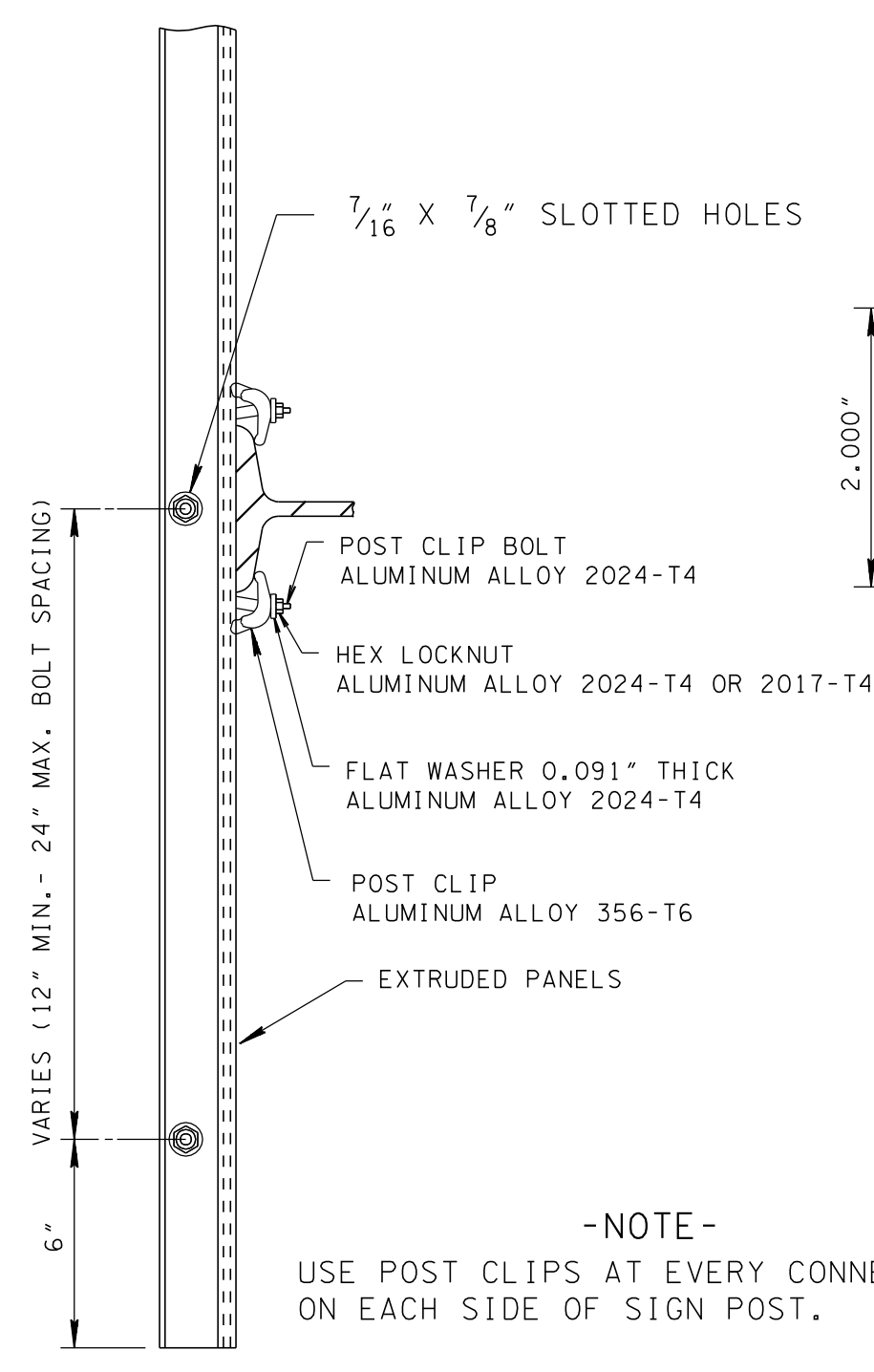
REV. 11-6-61: GENERAL REVISION.  
 REV. 5-7-62: GENERAL REVISION.  
 REV. 5-7-63: SIDE EDGE MOUNTING ELIMINATED.  
 REV. 4-6-65: GENERAL REVISION.  
 REV. 3-29-67: NOTE PERTAINING TO POST CLIPS ADDED.  
 REV. 7-23-68: GENERAL REVISION.  
 REV. 7-1-72: CHANGED DEPARTMENT NAME.  
 REV. 5-21-73: GENERAL REVISION.  
 REV. 1-1-76: CHANGED DWG. NO. FROM RD-S-6 TO T-S-6.  
 REV. 12-11-87: NOTE REGARDING WASHERS CHANGED.  
 REV. 2-12-91: REDREW AND REORGANIZED SHEET.



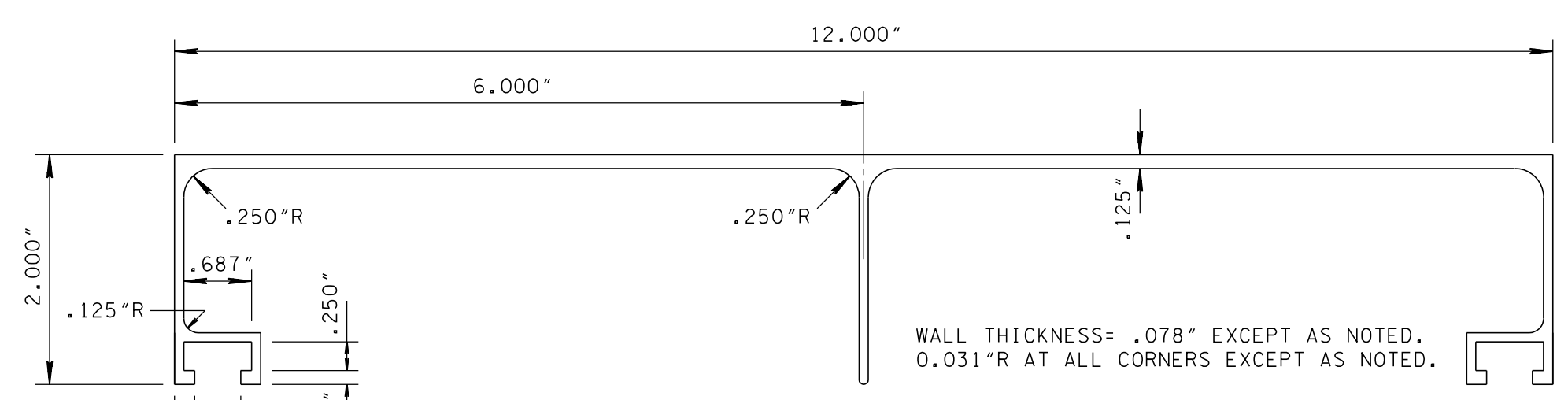
END ELEVATION



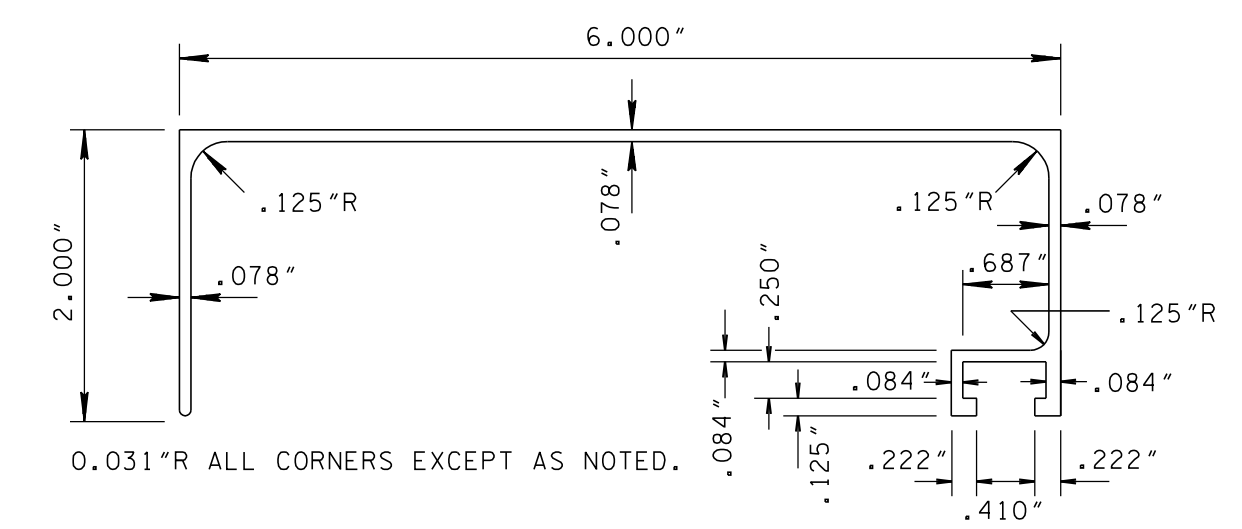
TYPICAL MOUNTING BOLTED EXTRUDED PANELS



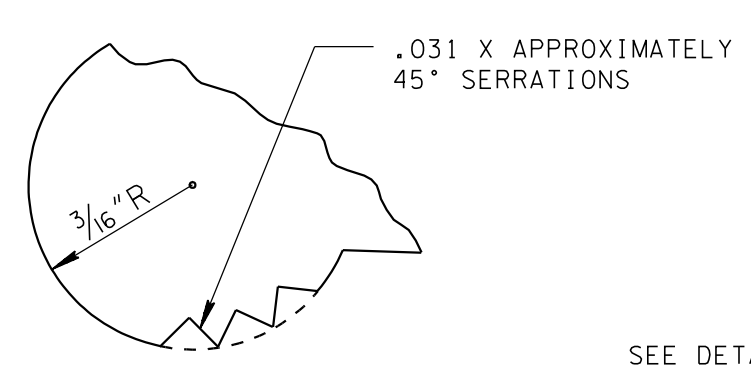
SECTION A-A



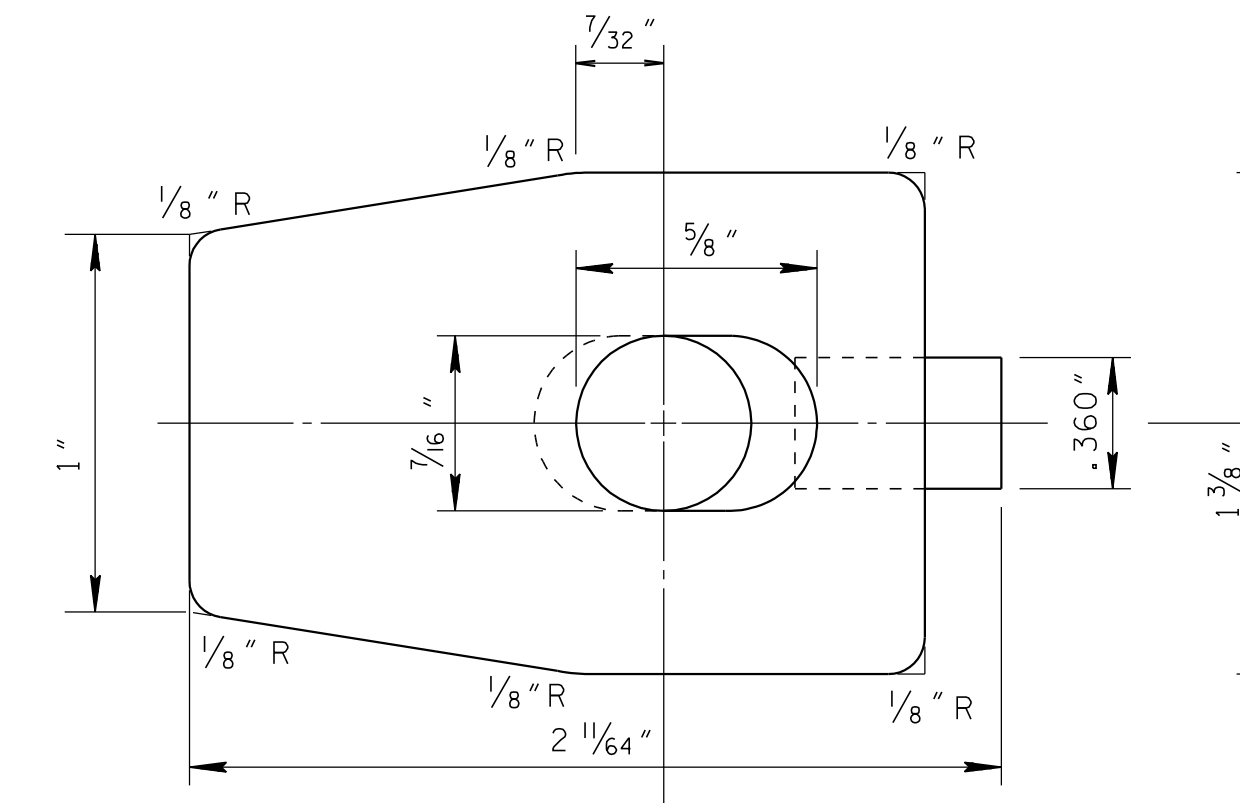
12" - BOLTED EXTRUDED PANEL  
 ALUMINUM ALLOY 6063-T6  
 EST.WT. - 2.707 LBS./FT.



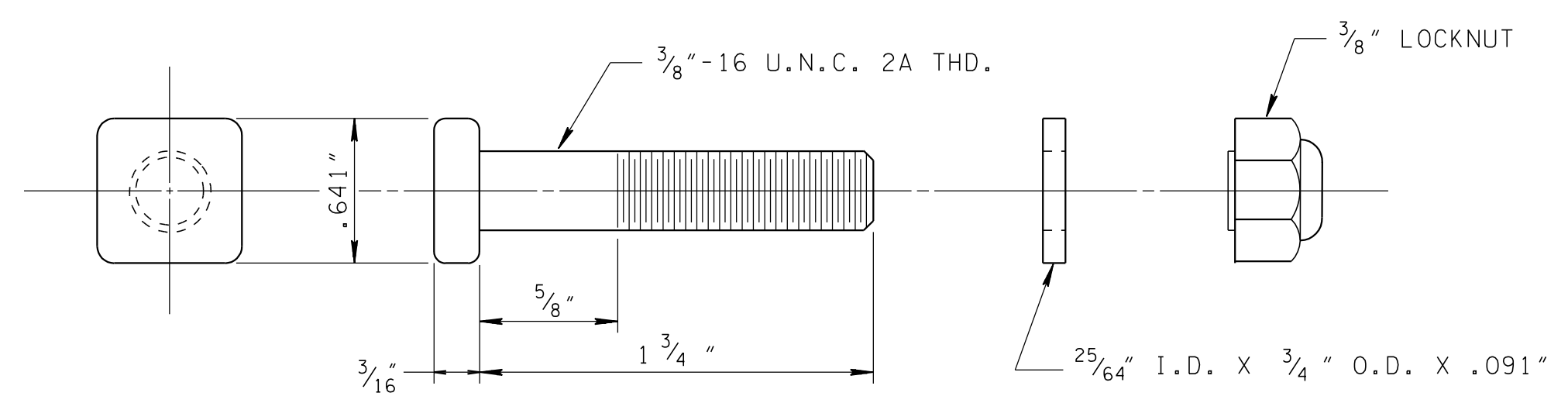
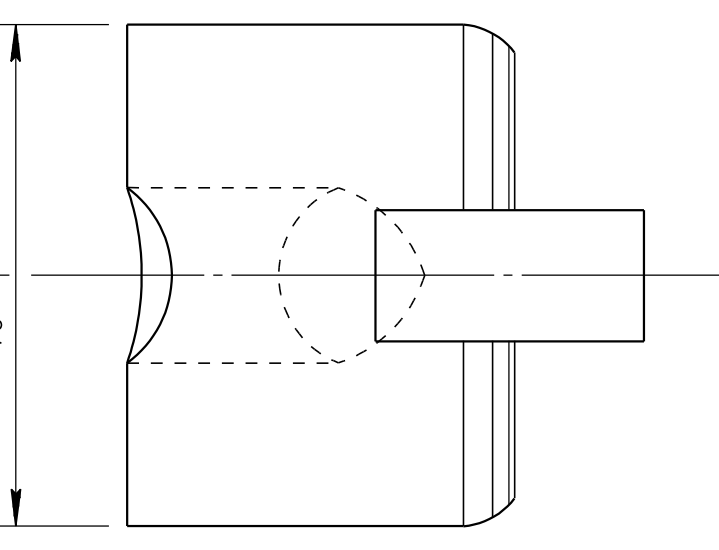
6" - BOLTED EXTRUDED PANEL  
 ALUMINUM ALLOY 6063-T6  
 EST.WT. - 1.115 LBS./FT.



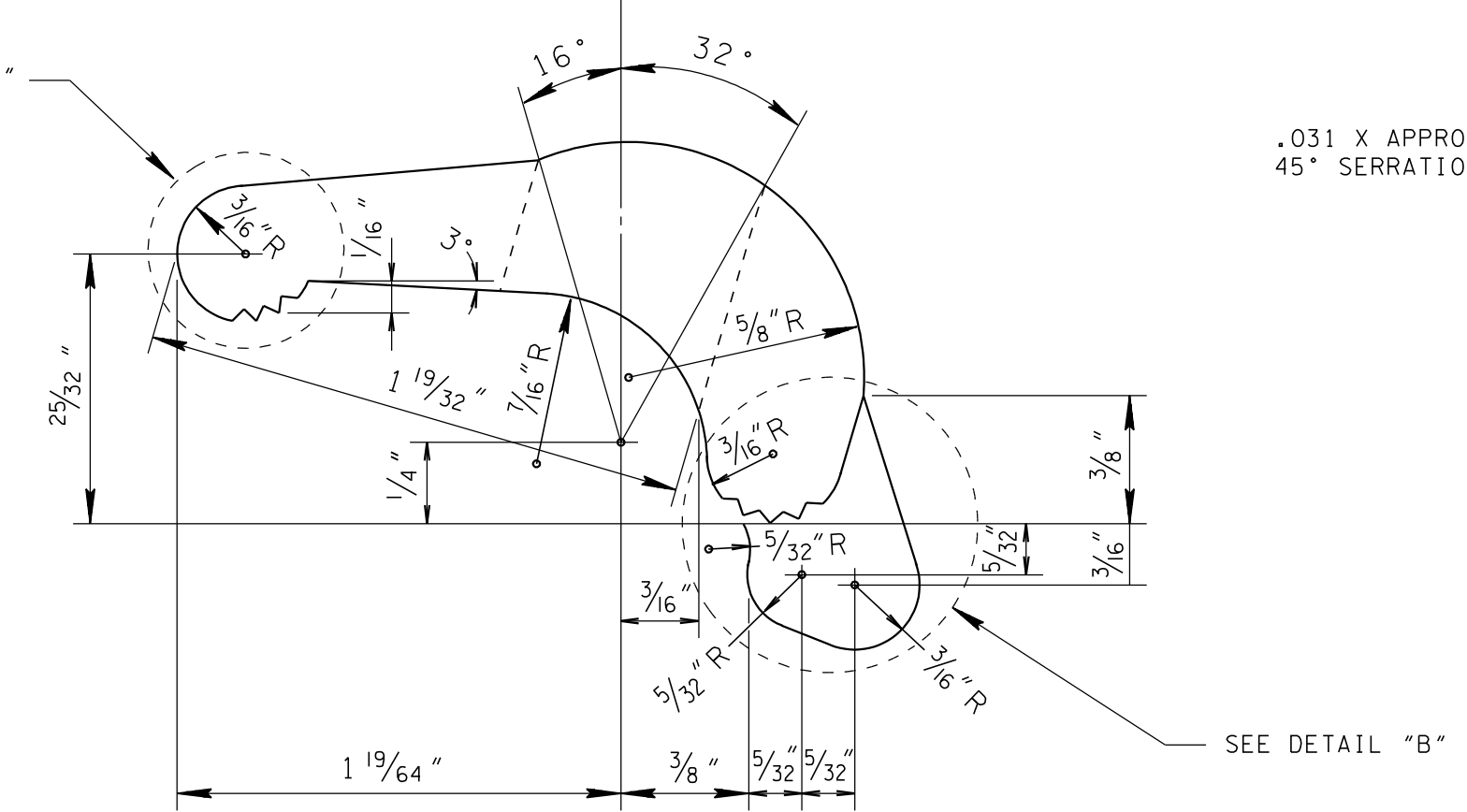
DETAIL "A"  
 ENLARGED VIEW OF SERRATIONS



POST CLIP  
 ALUMINUM ALLOY 356-T6  
 WEIGHT 1 PC.=0.12 LBS.



SPECIAL POST CLIP BOLT WITH FLAT WASHER AND LOCKNUT  
 BOLT.....ALUMINUM ALLOY 2024-T4  
 HEX LOCKNUT.....ALUMINUM ALLOY 2024-T4 OR 2017-T4  
 WASHER.....ALUMINUM ALLOY 2024-T4



DETAIL "B"  
 ENLARGED DETAIL OF SERRATIONS

SAW GATING AS SHOWN  
 (APPROXIMATELY FLAT PERMISSIBLE)