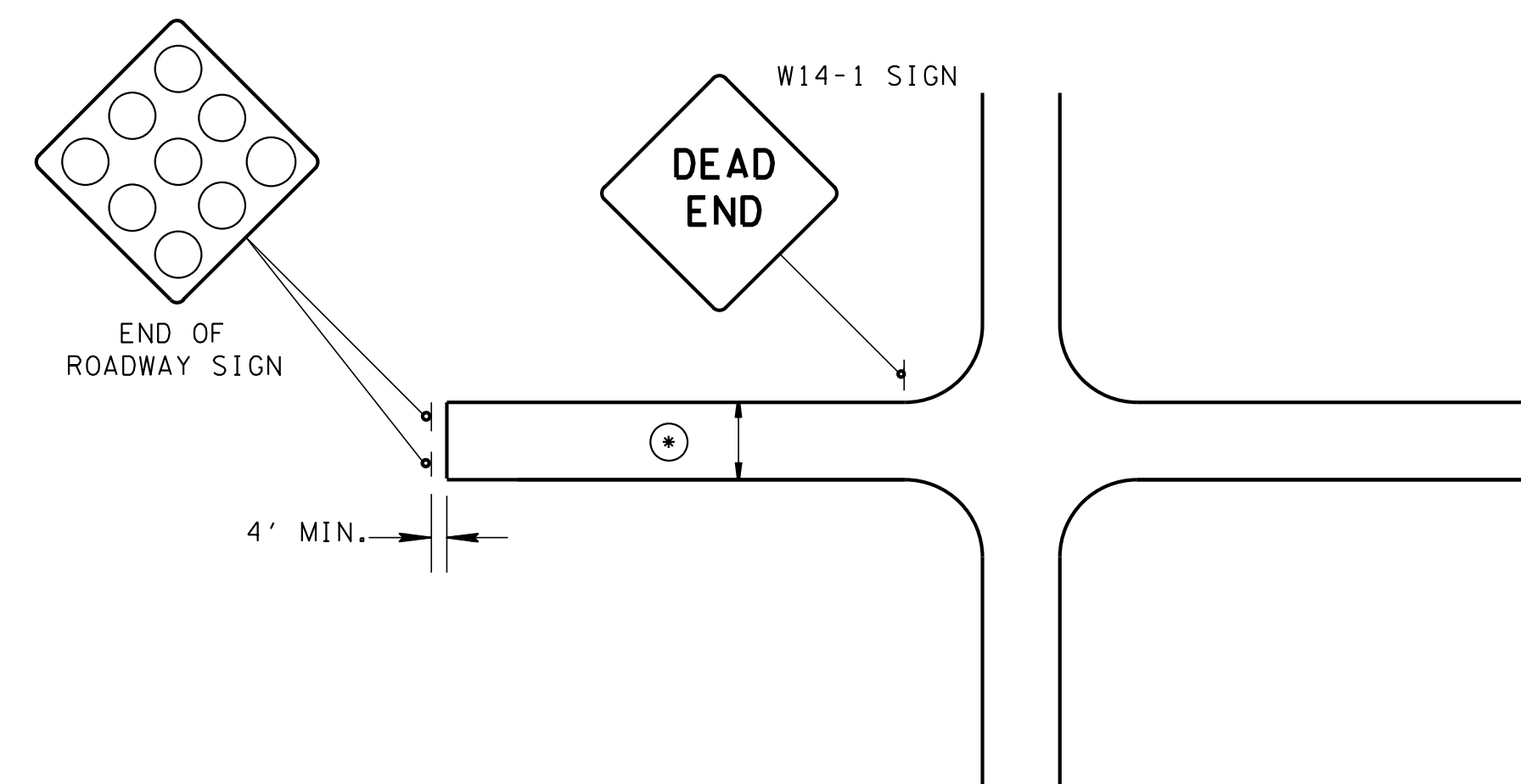
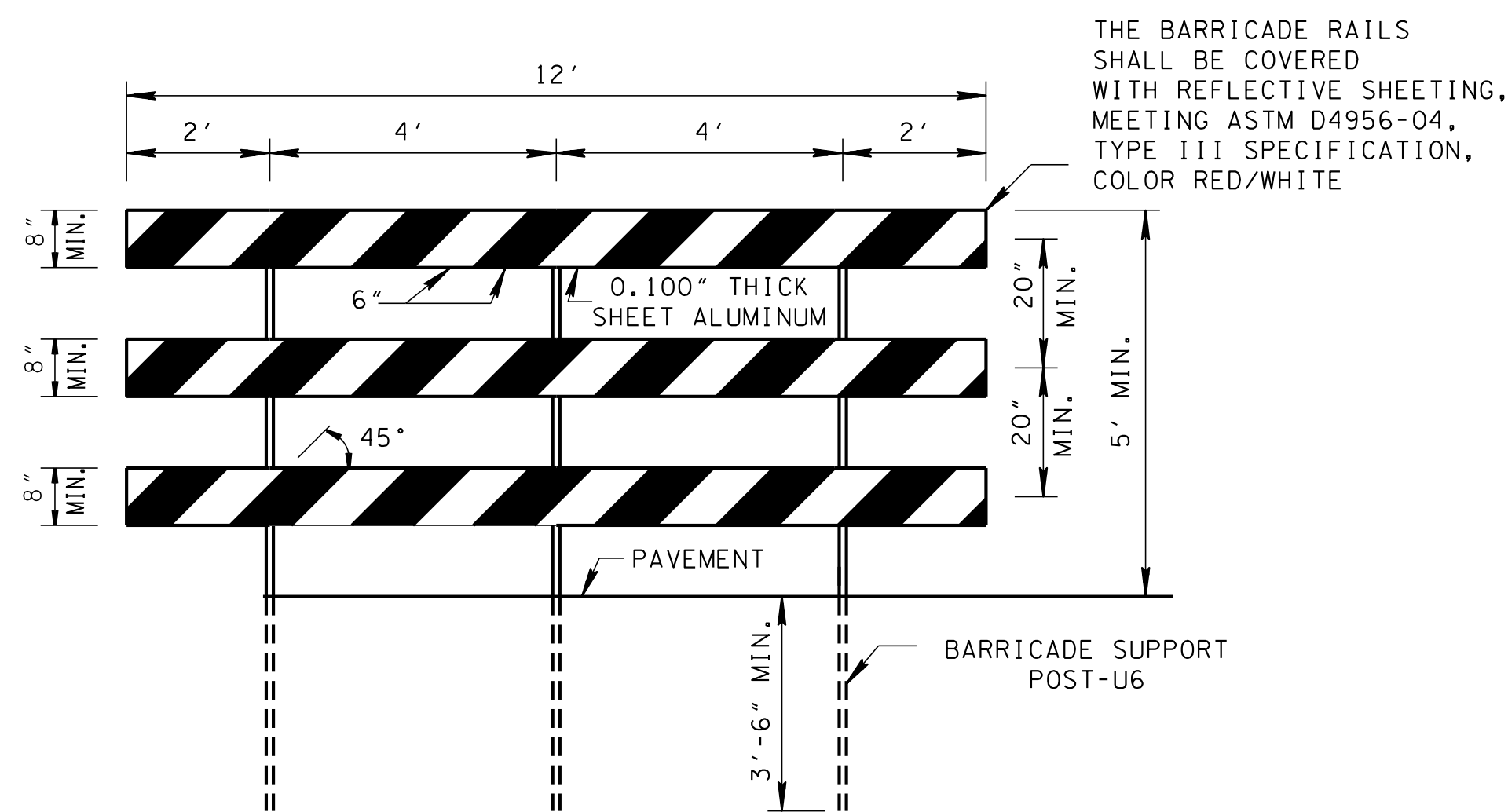


LOCATION OF SIGNS ON CUL-DE-SAC DETAIL



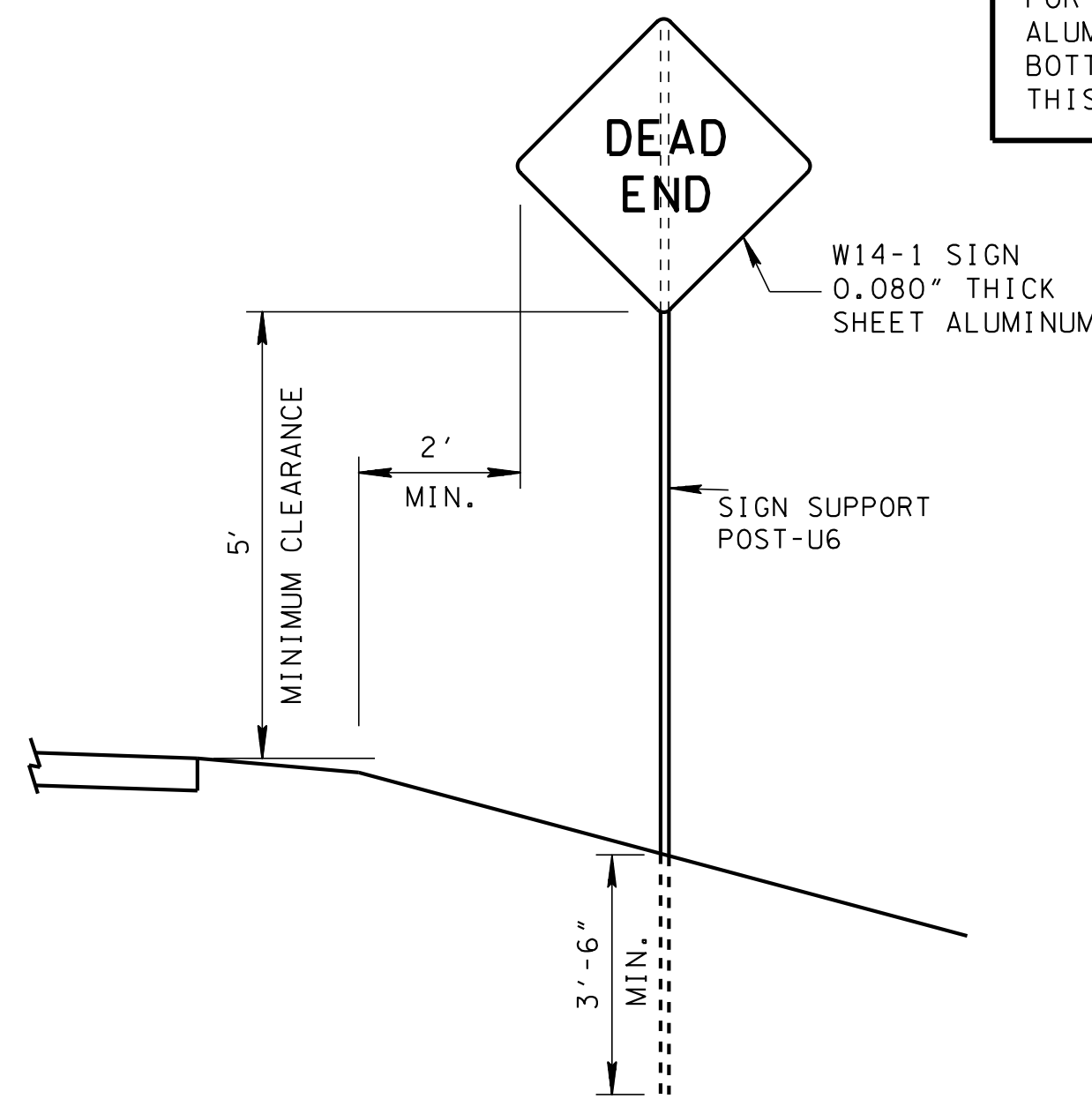
LOCATION OF SIGNS ON END OF ROADWAY DETAIL

⊙ FOR LESS THAN 18 FEET USE ONLY ONE (1) END OF ROADWAY SIGN



METAL BARRICADE (TYPE III)  
PERMANENT INSTALLATION DETAIL

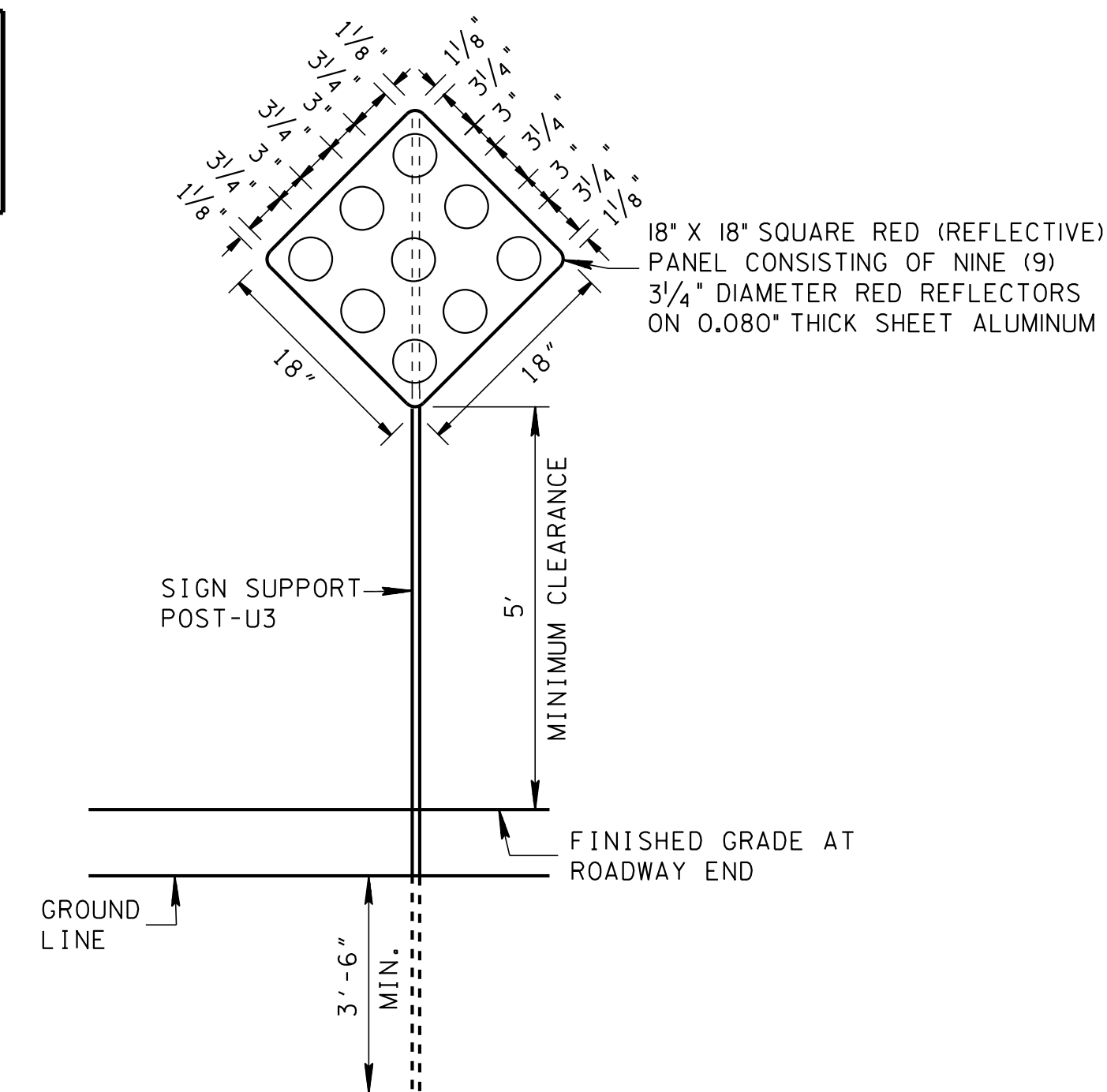
THE BARRICADE RAILS SHALL BE COVERED WITH REFLECTIVE SHEETING, MEETING ASTM D4956-04, TYPE III SPECIFICATION, COLOR RED/WHITE



TYPICAL DEAD END SIGN AND SUPPORT DETAIL

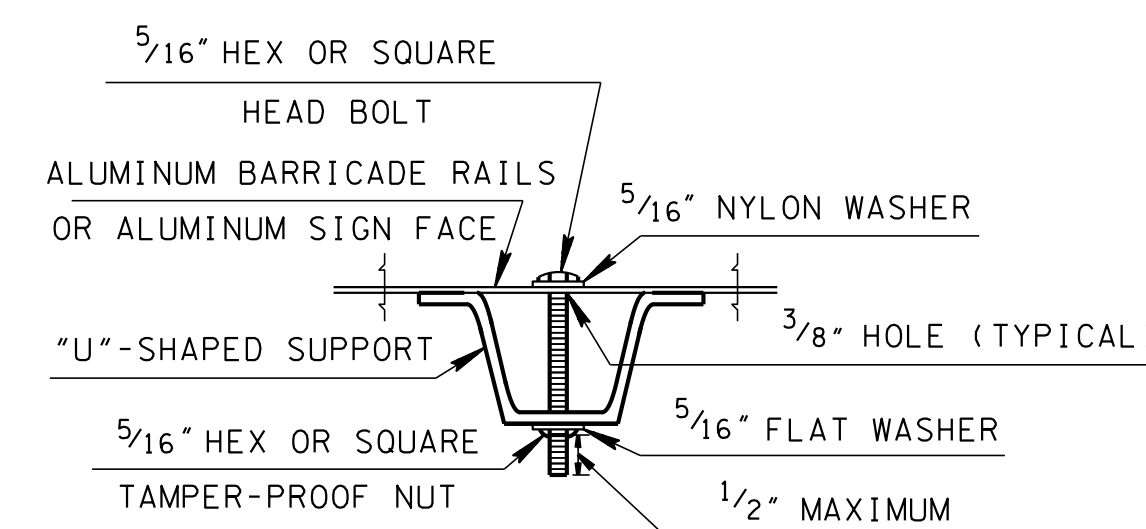
NOTE: DEAD END SIGN AND SUPPORT, ITEM 713-16.06 WILL BE MEASURED FOR PAYMENT BY THE UNIT (EACH) COMPLETE IN PLACE. THIS PAY ITEM SHALL INCLUDE THE FURNISHING AND INSTALLING OF THE SIGNS, SUPPORT, AND HARDWARE

FOR CONNECTION DETAIL FOR "U"-POST TO SHEET ALUMINUM SIGN FACE SEE BOTTOM LEFT CORNER OF THIS SHEET.



TYPICAL END OF ROADWAY SIGN AND SUPPORT DETAIL

NOTE: END OF ROADWAY SIGN AND SUPPORT, ITEM 713-16.07 WILL BE MEASURED FOR PAYMENT BY THE UNIT (EACH) COMPLETE IN PLACE. THIS PAY ITEM SHALL INCLUDE THE FURNISHING AND INSTALLING OF THE SIGNS, REFLECTORS, SUPPORT, AND HARDWARE.



CONNECTION DETAIL FOR "U" POST

NOTE: NUTS TO BE TIGHTENED TO A SNUG FIT ONLY.

METAL BARRICADE (TYPE III) GENERAL NOTES

- (M1) METAL BARRICADE (TYPE III), ITEM NO. 713-15.35, WILL BE MEASURED FOR PAYMENT BY THE UNIT (EACH) COMPLETE IN PLACE. THE PAY ITEM SHALL INCLUDE THE FURNISHING AND INSTALLING OF THE BARRICADE RAILS, VERTICAL "U6" POST SUPPORTS (MINIMUM LENGTH 8'-6") AND HARDWARE.
- (M2) THE "ROAD CLOSED" SIGN (R11-2) SHALL BE MOUNTED ON THE BARRICADE AS DIRECTED BY THE ENGINEER. THE COST OF FURNISHING AND INSTALLING THE VERTICAL "U6" POST SUPPORT AND MOUNTING THE SIGN AND HARDWARE NECESSARY TO ATTACH IT IS TO BE INCLUDED IN THE PRICE BID FOR ITEM NO. 713-15.35, METAL BARRICADE (TYPE III). THE SIGN FACE WILL BE PAID FOR UNDER ITEM NO. 713-13.03, FLAT SHEET ALUMINUM SIGNS (0.100" THICK).
- (M3) IN THE EVENT THAT MORE THAN ONE (1) BARRICADE IS REQUIRED AT A LOCATION, ONLY ONE (1) "ROAD CLOSED" SIGN SHALL BE INSTALLED. IT SHOULD BE LOCATED APPROXIMATELY AT THE CENTER LINE OF THE ROADWAY TO BE CLOSED.

□ MINOR REVISION -- FHWA APPROVAL NOT REQUIRED.

STATE OF TENNESSEE  
DEPARTMENT OF TRANSPORTATION

END OF ROADWAY,  
DEAD END SIGNS, AND  
METAL BARRICADES  
(TYPE III)

- REV. 1-11-82: METAL BARRICADES DETAIL ADDED.
- REV. 12-12-83: CONNECTION DETAIL STEEL "U"-POST CHANGED.
- REV. 4-16-84: ADDED WORK ZONE SPEED ADVISORY SIGN DETAILS AND NOTES.
- REV. 10-15-90: REDREW SHEET. CHANGED MINIMUM DEPTH OF "U"-POST IN GROUND FROM 3'-0" TO 3'-6". ELIMINATED REFERENCE TO PERFORATED SQUARE TUBE POST ALTERNATE.
- REV. 11-11-96: IN DETAIL FOR METAL BARRICADE (TYPE III) CHANGED TYPE OF SHEETING FROM TYPE 2 TO TYPE 3.
- REV. 5-27-99: CHANGED REFERENCE TO REFLECTIVE SHEETING MATERIAL USED ON TYPE III BARRICADES.
- REV. 5-27-01: CHANGED DESCRIPTION IN ITEM NO. 713-16.07.
- REV. 2-14-14: REMOVED WORK ZONE SPEED LIMIT.