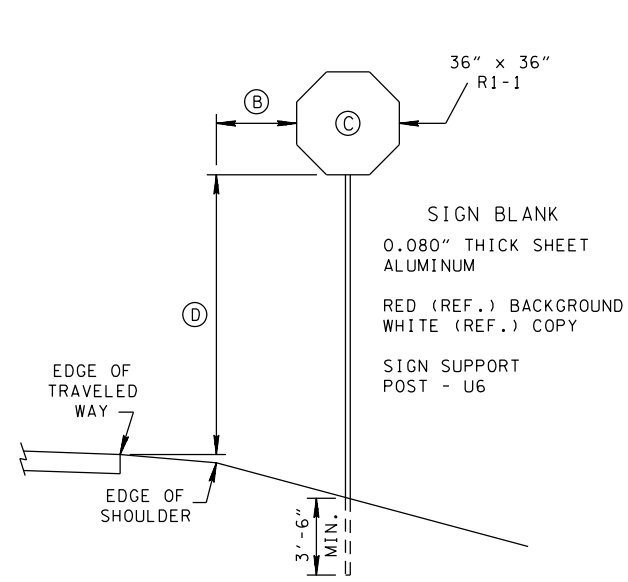
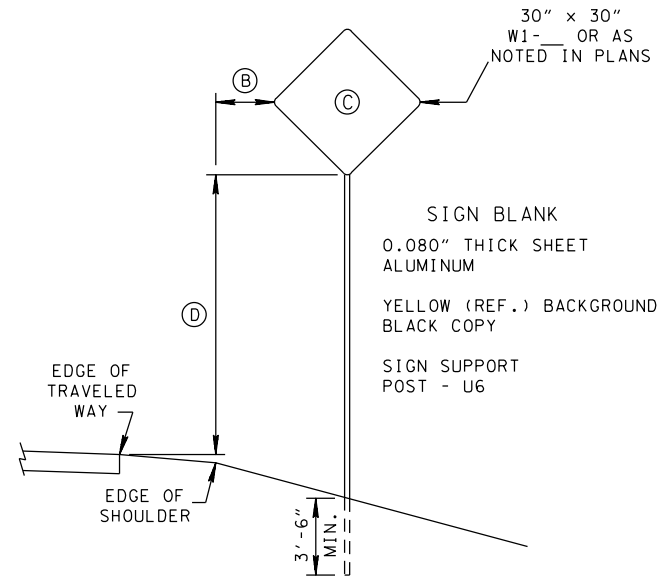


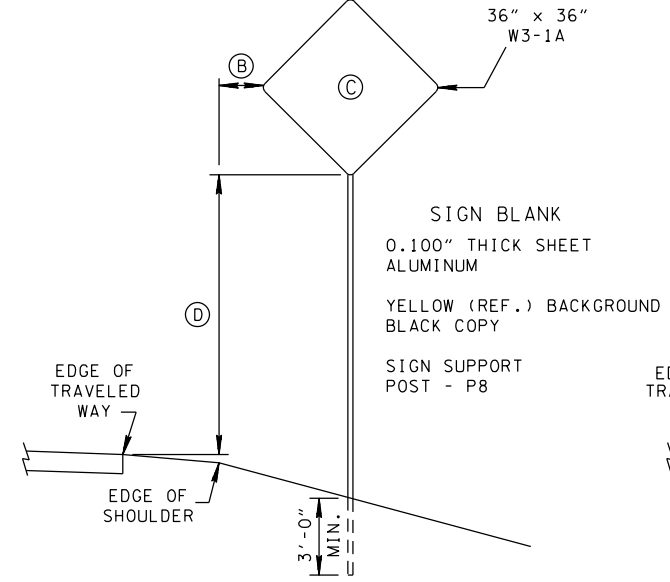
- REV. 10-15-90: CHANGED MINIMUM DEPTH OF "U" POST IN GROUND FROM 3'-0" TO 3'-6". ADDED GENERAL NOTE REGARDING SILK SCREENING.
- REV. 7-29-92: CHANGED U7 POST TO P8 POST IN VARIOUS DETAILS.
- REV. 7-29-96: CHANGED DEPTH OF EMBEDMENT OF POST FOR DIAMOND SIGNS.
- REV. 12-18-97: CHANGED GENERAL NOTE (A) REGARDING PAY ITEM NUMBERS.
- REV. 5-27-01: CHANGED GENERAL NOTE (A).
- REV. 11-1-11: REVISED GENERAL NOTES (B), (C), AND (D). ADDED GENERAL NOTE (E).
- REV. 7-11-17: CHANGED DIMENSION OF STOP SIGN DETAIL AND TYPICAL CURB & GUTTER SECTIONAL SIGN DETAIL TO 36" X 36".



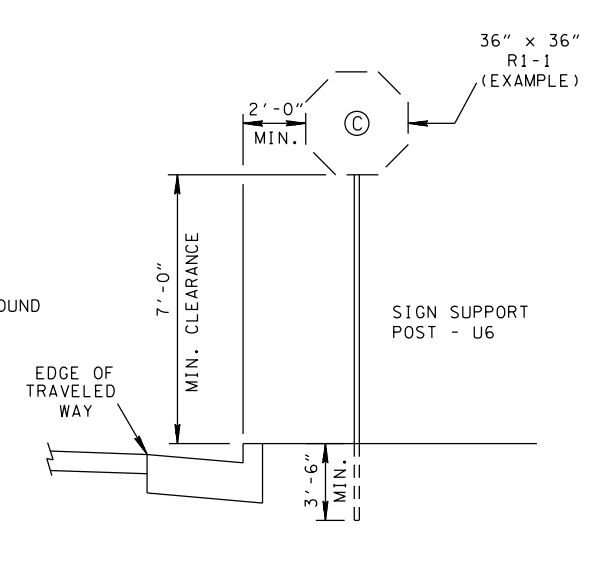
STOP SIGN DETAIL  
SEE NOTE (A), (E)



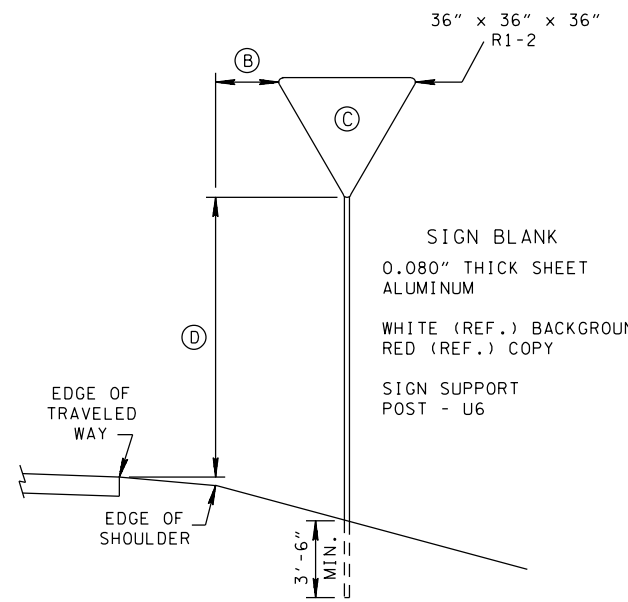
30" x 30" DIAMOND SIGN DETAIL  
SEE NOTE (A), (E)



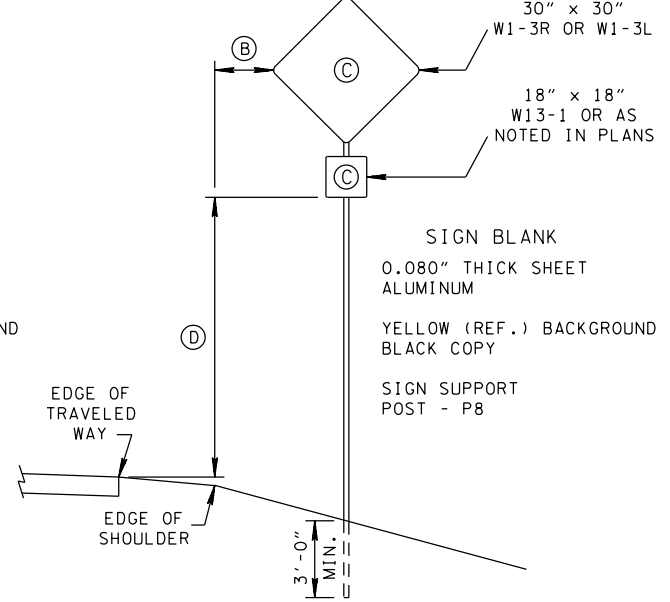
36" x 36" DIAMOND SIGN DETAIL  
SEE NOTE (A)



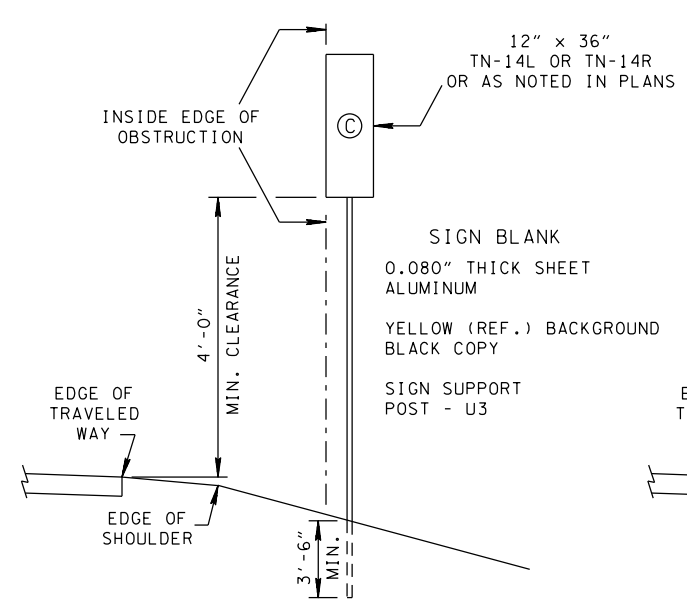
TYPICAL CURB & GUTTER SECTION SIGN DETAIL



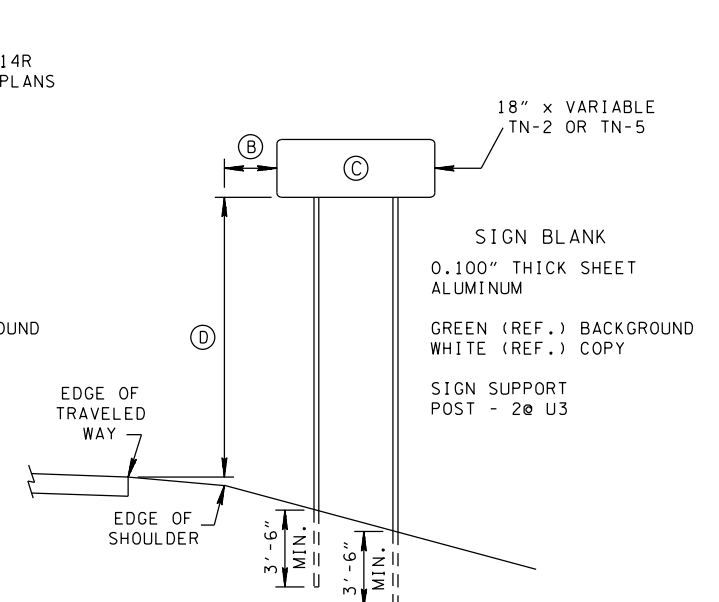
YIELD SIGN DETAIL  
SEE NOTE (A), (E)



30" x 30" DIAMOND SIGN WITH SUPPLEMENTAL PLATE DETAIL  
SEE NOTE (A), (E)



OBJECT MARKER SIGN DETAIL  
SEE NOTE (A)



STREAM OR COUNTY LINE SIGN DETAIL  
SEE NOTE (A)

GENERAL NOTES

- (A) SIGN FACE, SUPPORT, INSTALLATION, AND HARDWARE INCLUDED IN ITEM NOS. 713-16.20 THROUGH 713-16.29 SIGNS (DESCRIPTION) PER EACH.
- (B) 6'-0" DESIRABLE FROM EDGE OF SHOULDER, OR IF NONE, 12'-0" DESIRABLE FROM EDGE OF TRAVELED WAY (SEE CURRENT EDITION MUTCD SECTIONS 2A.19 THROUGH 2A.21). 4'-0" DESIRABLE FROM FACE OF GUARDRAIL.
- (C) LETTERS, BORDERS, AND ALPHABET ACCESSORIES SHALL BE APPLIED BY SILK SCREENING PROCESS. SEE SECTIONS 2A.06 THROUGH 2A.15 OF THE MUTCD FOR ADDITIONAL INFORMATION.
- (D) THE MINIMUM HEIGHT, MEASURED VERTICALLY FROM THE BOTTOM OF THE SIGN TO THE NEAR EDGE OF THE PAVEMENT, OF SIGNS INSTALLED AT THE SIDE OF THE ROAD IN RURAL AREAS SHALL BE 5 FEET. THE MINIMUM HEIGHT, MEASURED VERTICALLY FROM THE BOTTOM OF THE SIGN TO THE TOP OF THE CURB, OR IN THE ABSENCE OF CURB, MEASURED VERTICALLY FROM THE BOTTOM OF THE SIGN TO THE ELEVATION OF THE NEAR EDGE OF THE TRAVELED WAY, OF SIGNS INSTALLED AT THE SIDE OF THE ROAD IN BUSINESS, COMMERCIAL, OR RESIDENTIAL AREAS WHERE PARKING OR PEDESTRIAN MOVEMENTS ARE LIKELY TO OCCUR, WHERE THE VIEW OF THE SIGN MIGHT BE OBSTRUCTED, SHALL BE 7 FEET. THE HEIGHT TO THE BOTTOM OF A SECONDARY SIGN MOUNTED BELOW ANOTHER SIGN MAY BE 1 FOOT LESS THAN THE APPROPRIATE HEIGHT SPECIFIED ABOVE. SEE FIGURE 2A-2 AND SECTION 2A.18 OF THE MUTCD FOR ADDITIONAL INFORMATION.
- (E) FOR MULTI-LANE CONVENTIONAL ROADS USE 48"x48"x48" YIELD SIGN AND USE 36"x36"x36" W1 SIGN. FOR ADDITIONAL INFORMATION FOR STOP AND YIELD SIGN SIZES, SEE TABLE 2B-1 AND TABLE 2C-2 OF THE MUTCD.

MINOR REVISION -- FHWA APPROVAL NOT REQUIRED.

STATE OF TENNESSEE  
DEPARTMENT OF TRANSPORTATION

SIGN  
DETAILS  
NOT TO SCALE

7-29-96 T-S-20