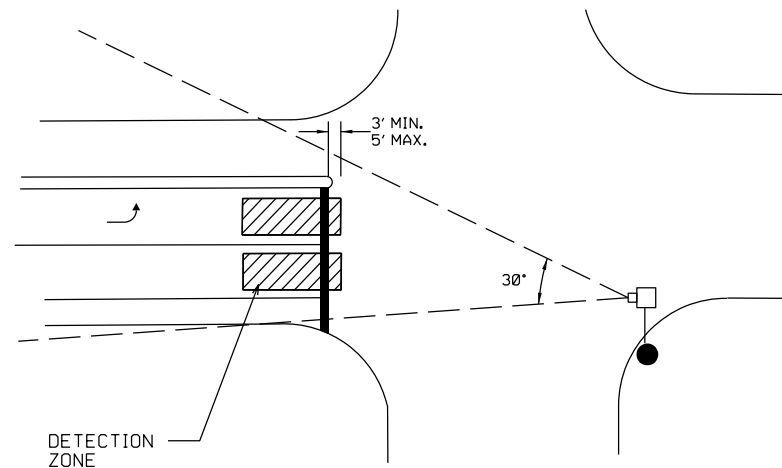
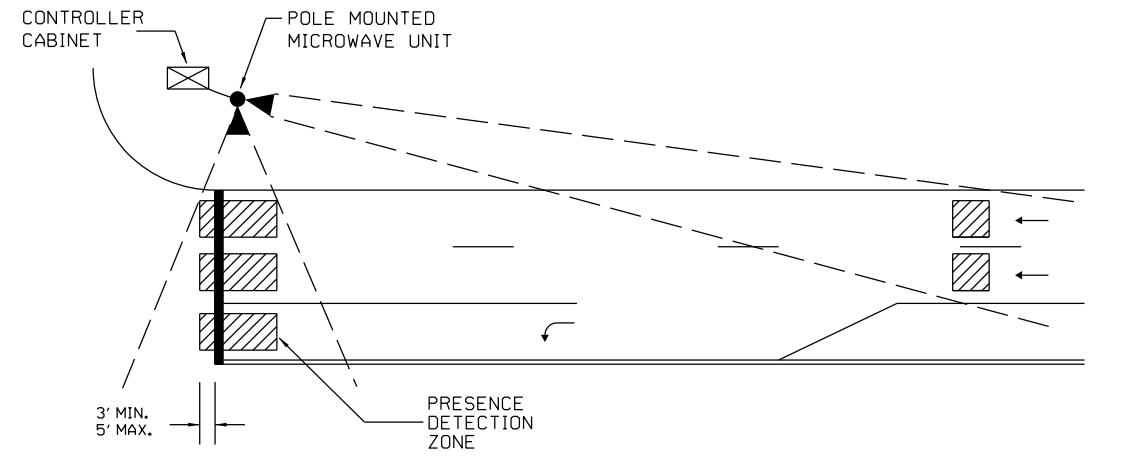


ALTERNATE CAMERA MOUNTING DETAIL
(MAST ARM)
(TO EXTEND CAMERA
HEIGHT ABOVE MAST ARM)



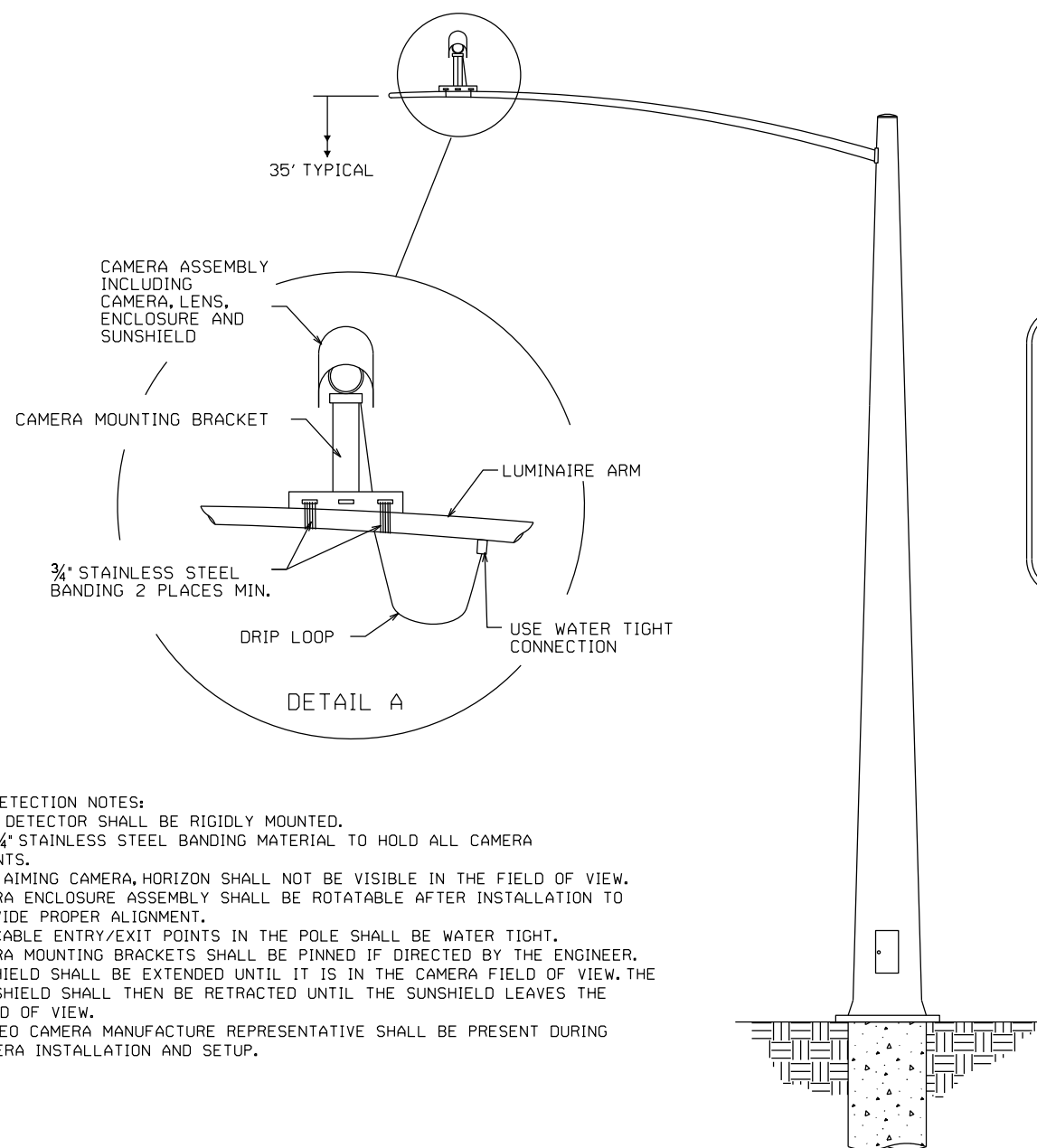
VIDEO DETECTOR PLACEMENT



MICROWAVE (RADAR) DETECTOR DETAIL

MICROWAVE (RADAR) DETECTION NOTES:

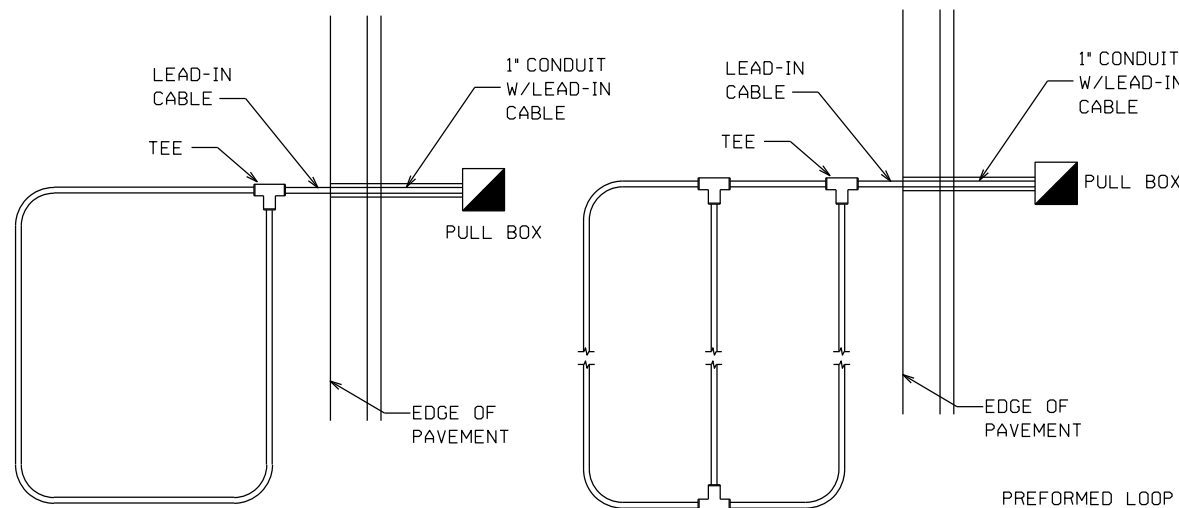
1. MICROWAVE (RADAR) DETECTOR MOUNTING HEIGHT 17' TO 23'. (TYP.)
2. CORNER FIRE MICROWAVE (RADAR) DETECTOR TO DETECT LEFT TURN AND THROUGH LANES SEPARATELY.



VIDEO DETECTION DETAIL

VIDEO DETECTION NOTES:

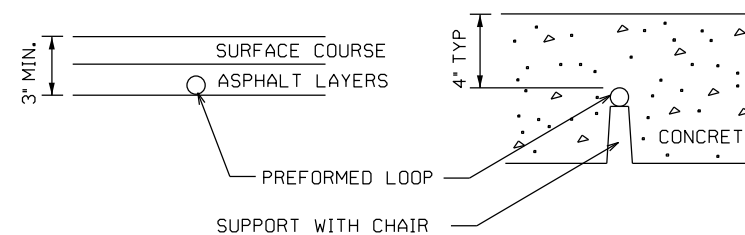
1. VIDEO DETECTOR SHALL BE RIGIDLY MOUNTED.
2. USE 3/4" STAINLESS STEEL BANDING MATERIAL TO HOLD ALL CAMERA MOUNTS.
3. WHEN AIMING CAMERA, HORIZON SHALL NOT BE VISIBLE IN THE FIELD OF VIEW.
4. CAMERA ENCLOSURE ASSEMBLY SHALL BE ROTATABLE AFTER INSTALLATION TO PROVIDE PROPER ALIGNMENT.
5. ALL CABLE ENTRY/EXIT POINTS IN THE POLE SHALL BE WATER TIGHT.
6. CAMERA MOUNTING BRACKETS SHALL BE PINNED IF DIRECTED BY THE ENGINEER.
7. SUNSHIELD SHALL BE EXTENDED UNTIL IT IS IN THE CAMERA FIELD OF VIEW. THE SUNSHIELD SHALL THEN BE RETRACTED UNTIL THE SUNSHIELD LEAVES THE FIELD OF VIEW.
8. A VIDEO CAMERA MANUFACTURE REPRESENTATIVE SHALL BE PRESENT DURING CAMERA INSTALLATION AND SETUP.



PREFORMED INDUCTIVE LOOP DETAIL

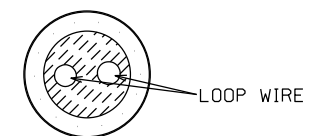
PREFORMED LOOP NOTES:

1. PREFORMED LOOPS SHALL MEET LAYOUT DIMENSIONS FOR STANDARD INDUCTIVE LOOPS SHOWN ON T-SG-3.
2. PREFORMED LOOPS SHALL BE INSTALLED BELOW BINDER COURSE WHERE POSSIBLE.
3. LEAD-INS SHALL BE FIELD MEASURED PRIOR TO INSTALLATION TO ENSURE PROPER LENGTH. NO SPLICING IS ALLOWED.
4. LOOP SHALL BE LAID OUT BY FIELD MEASURING LOCATION TO ENSURE PLACEMENT IN CENTER LANES.
5. PAY ITEM INCLUDES TEES, CONDUIT, LOOP WIRE, AND ANY OTHER MATERIALS NEEDED FOR COMPLETE INSTALLATION.



PREFORMED INDUCTIVE LOOP INSTALLATION DETAIL

(INSTALL UNDER NEW PAVEMENT)



PREFORMED LOOP CROSS SECTION

REV. 6-27-16: DELETED SECONDARY DETECTION ZONE IN RIGHT LANE OF VIDEO DETECTOR PLACEMENT DETAIL. ADDED RADAR TO MICROWAVE DETECTOR DETAIL AND REVISED DETECTION ZONES. ADDED STOP LINE OFFSET DIMENSION TO VIDEO AND MICROWAVE (RADAR) DETECTION DETAILS. ADDED NOTE 5. TO AND CORRECTED SPELLING ERROR IN PREFORMED LOOP NOTES.

MINOR REVISION -- FHWA APPROVAL NOT REQUIRED.

STATE OF TENNESSEE
DEPARTMENT OF TRANSPORTATION

ALTERNATE
DETECTION
DETAILS

7-29-04 T-SG-3A