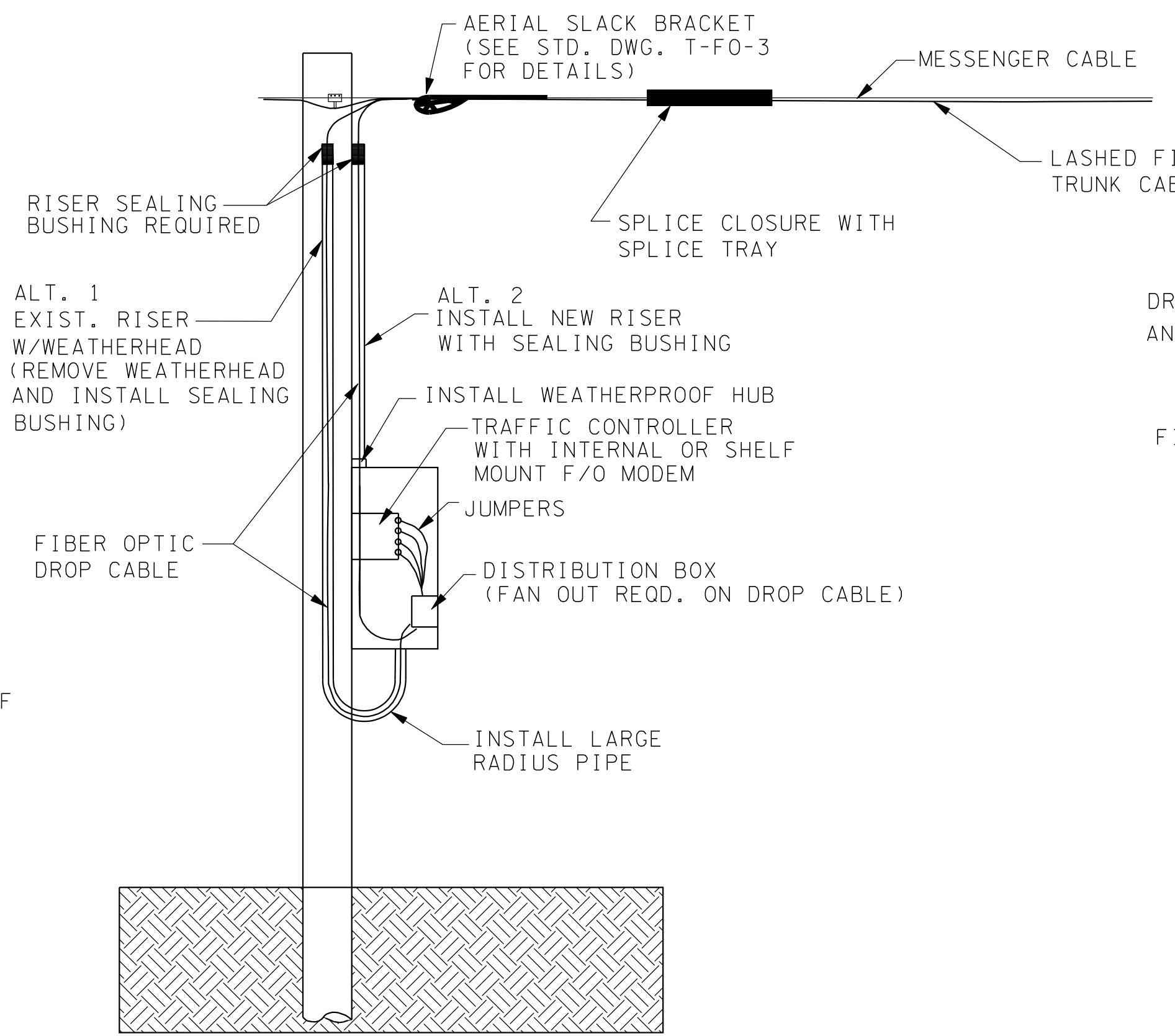
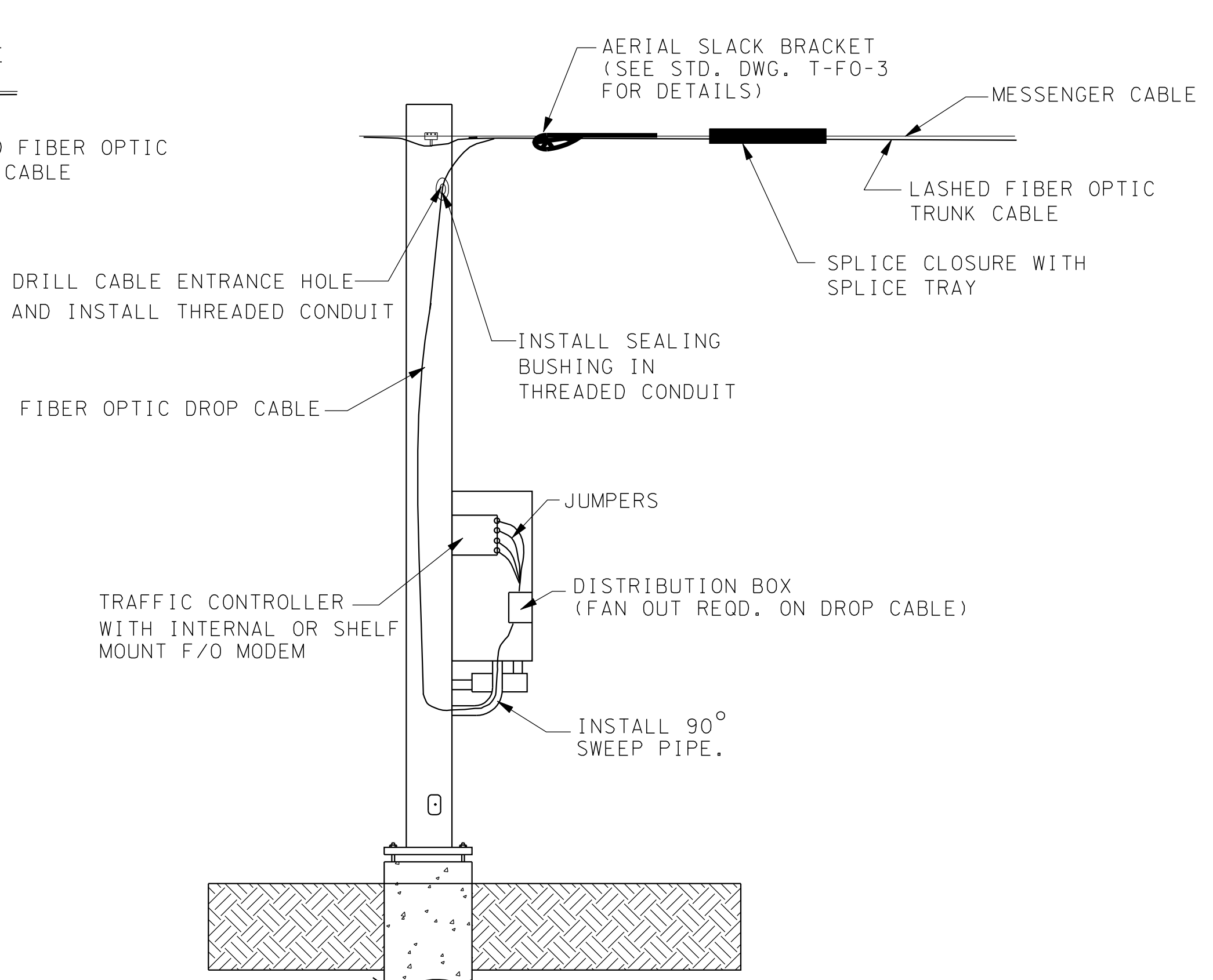


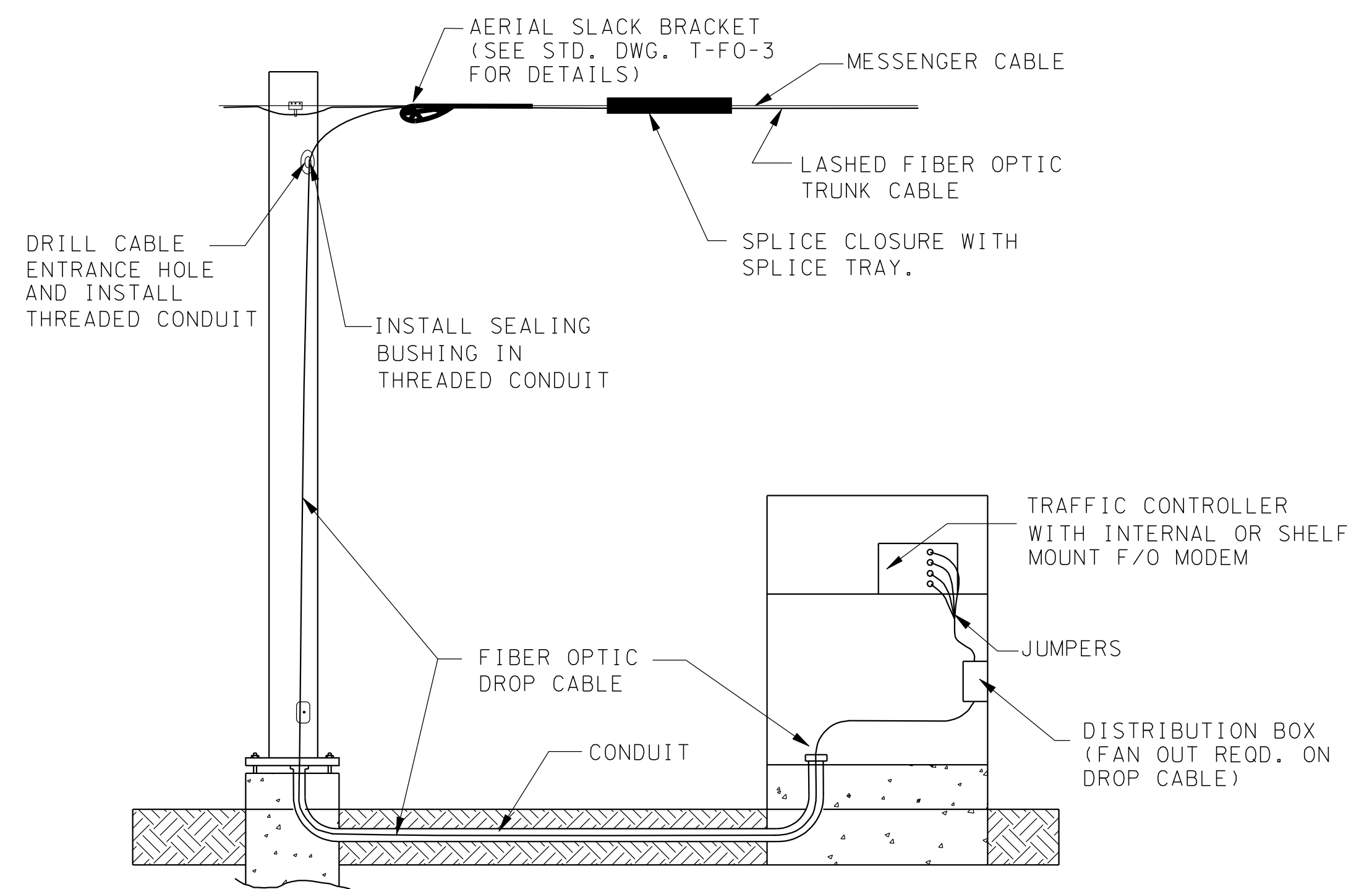
AERIAL ENTRANCE FOR EMBEDDED STEEL, CONCRETE, OR WOOD POLE INTO BASE MOUNTED CABINET (EXTERNAL SPLICE)



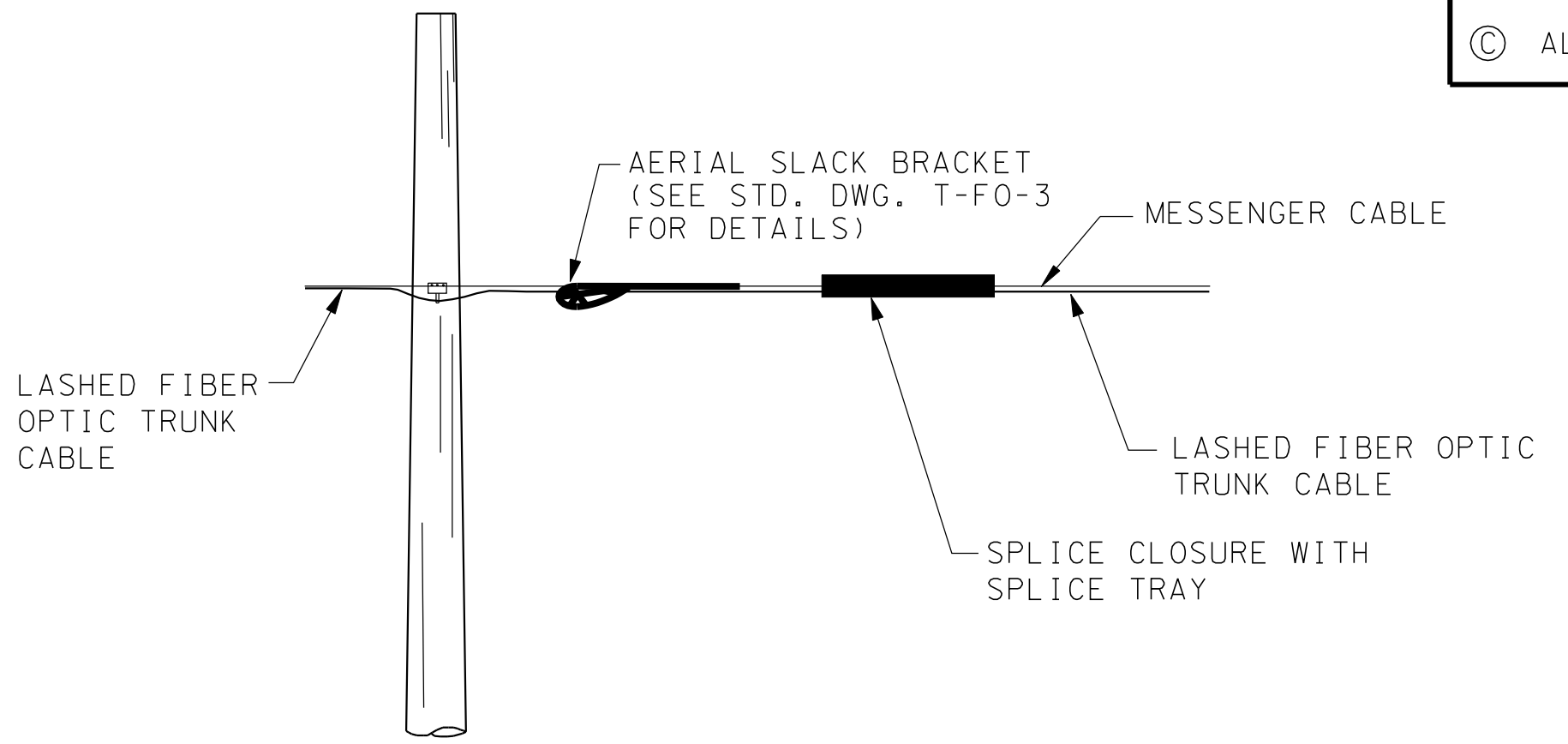
AERIAL ENTRANCE FOR EMBEDDED STEEL, CONCRETE, OR WOOD POLE INTO POLE MOUNTED CABINET (EXTERNAL SPLICE)



AERIAL ENTRANCE FOR STEEL POLE INTO POLE MOUNTED CABINET (EXTERNAL SPLICE)



AERIAL ENTRANCE FOR STEEL POLE INTO BASE MOUNTED CABINET (EXTERNAL SPLICE)



TYPICAL OVERHEAD SPLICE

- GENERAL NOTES**
- Ⓐ CONDUIT FOR FIBER OPTIC CABLE REQUIRED TO UTILIZE LARGE RADIUS BENDS (MINIMUM RADIUS 6 INCHES) NO ELBOW JOINTS ALLOWED.
 - Ⓑ ALL SPLICE CLOSURES TO CONTAIN SUFFICIENT SLACK FIBER TO PERFORM SPLICE ON GROUND IN MAINTENANCE VEHICLE (MINIMUM 25 FEET OF SLACK FOR EACH CABLE).
 - Ⓒ ALL SPLICES TO BE FUSION UNLESS OTHERWISE NOTED.

MINOR REVISION -- FHWA APPROVAL NOT REQUIRED.

STATE OF TENNESSEE
DEPARTMENT OF TRANSPORTATION

FIBER OPTIC
AERIAL ENTRANCE
DETAILS