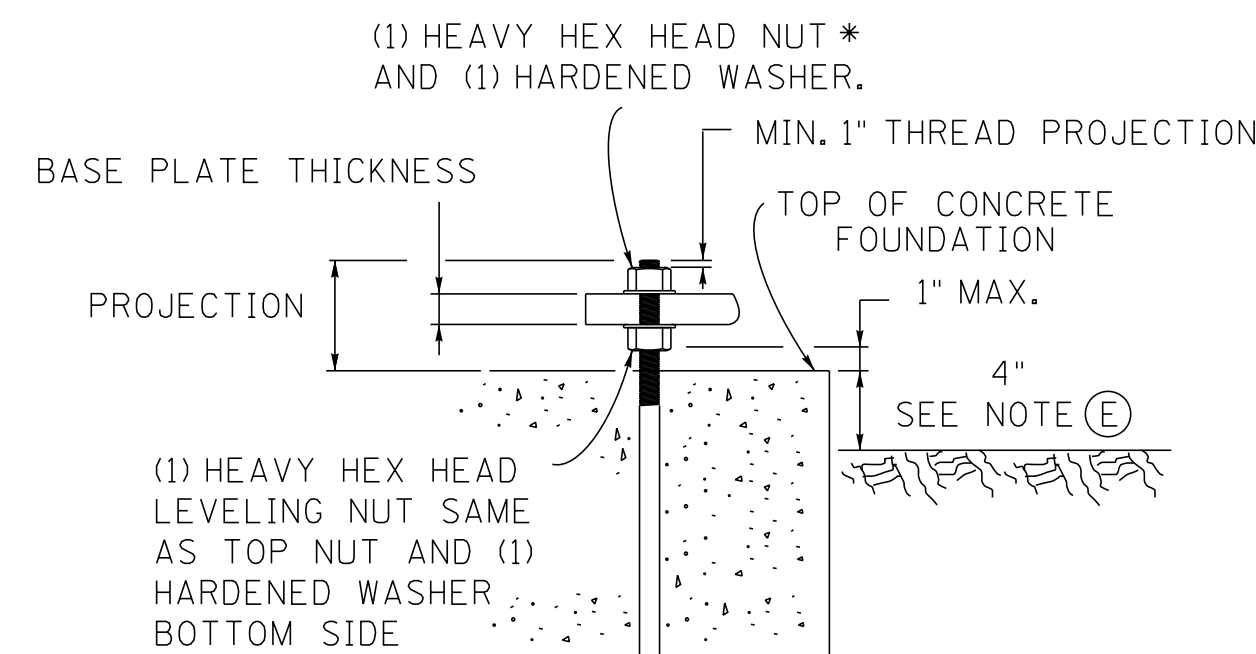
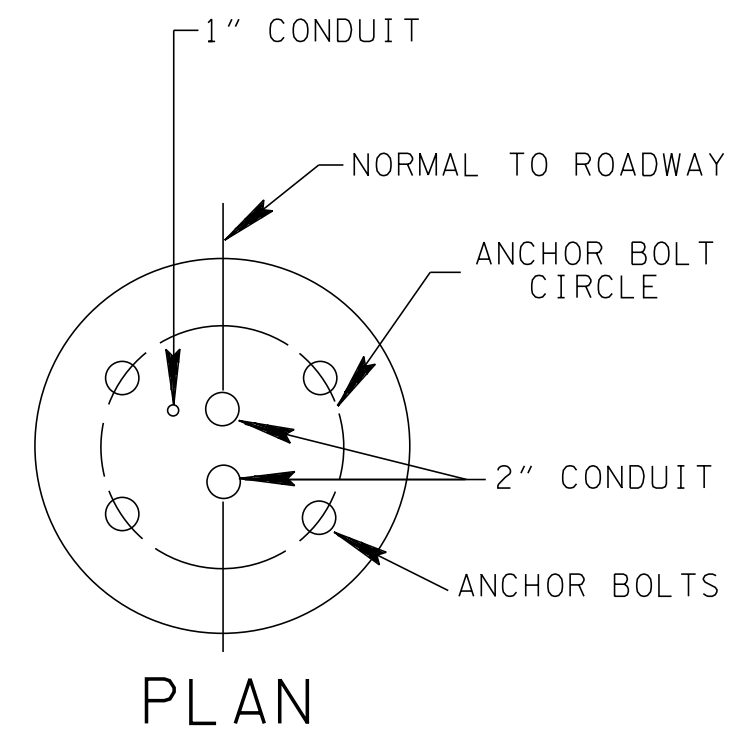
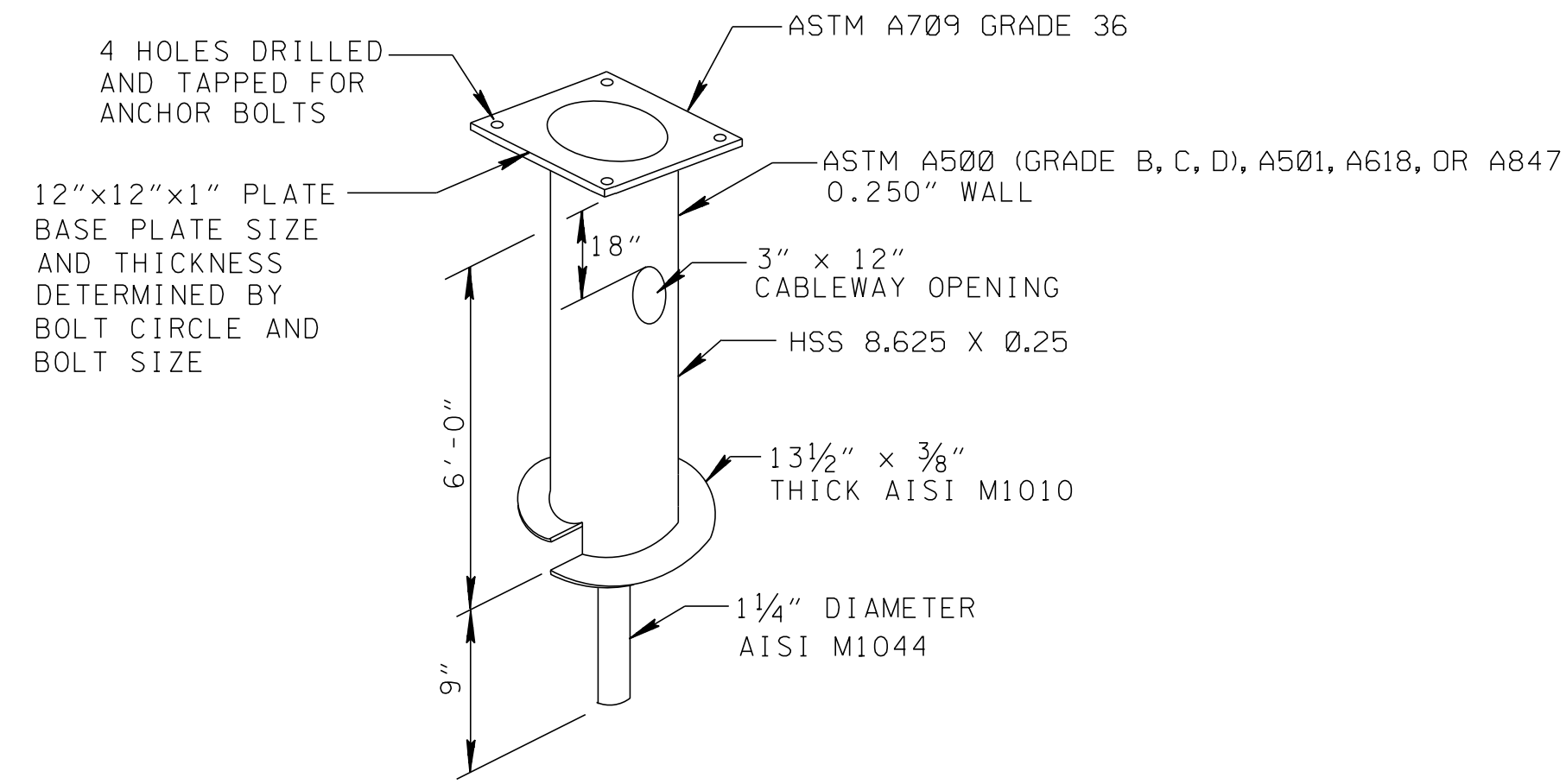


30'-50' STANDARD LIGHTING ALTERNATE METAL FOUNDATION DETAIL



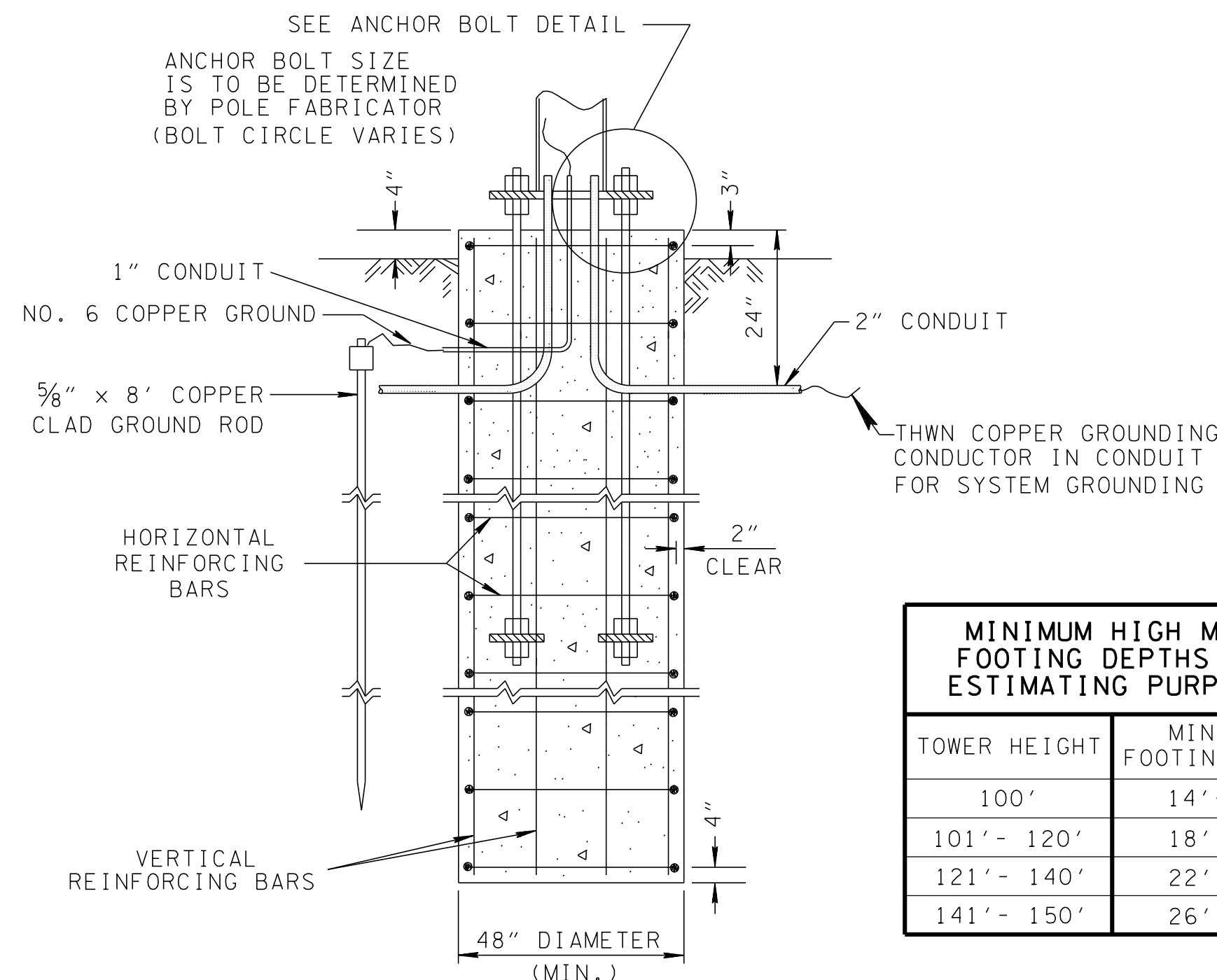
REQUIRED BEARING AREA FOR ANCHOR BOLT	
ANCHOR BOLT DIA (IN)	HEAD OR NUT AREA (SQ IN)
1"	1.800
1 1/4"	2.812
1 1/2"	4.050
1 3/4"	5.512
2"	7.199
2 1/4"	9.122
2 1/2"	11.249

* NOTE: TOP NUT TO BE TORQUED TO PRODUCE 60% YIELD STRESS OF ANCHOR BOLT.

NOTE: DO NOT GROUT BETWEEN BOTTOM OF BASE PLATE AND TOP OF CONCRETE FOUNDATION.

ANCHOR BOLT DETAIL

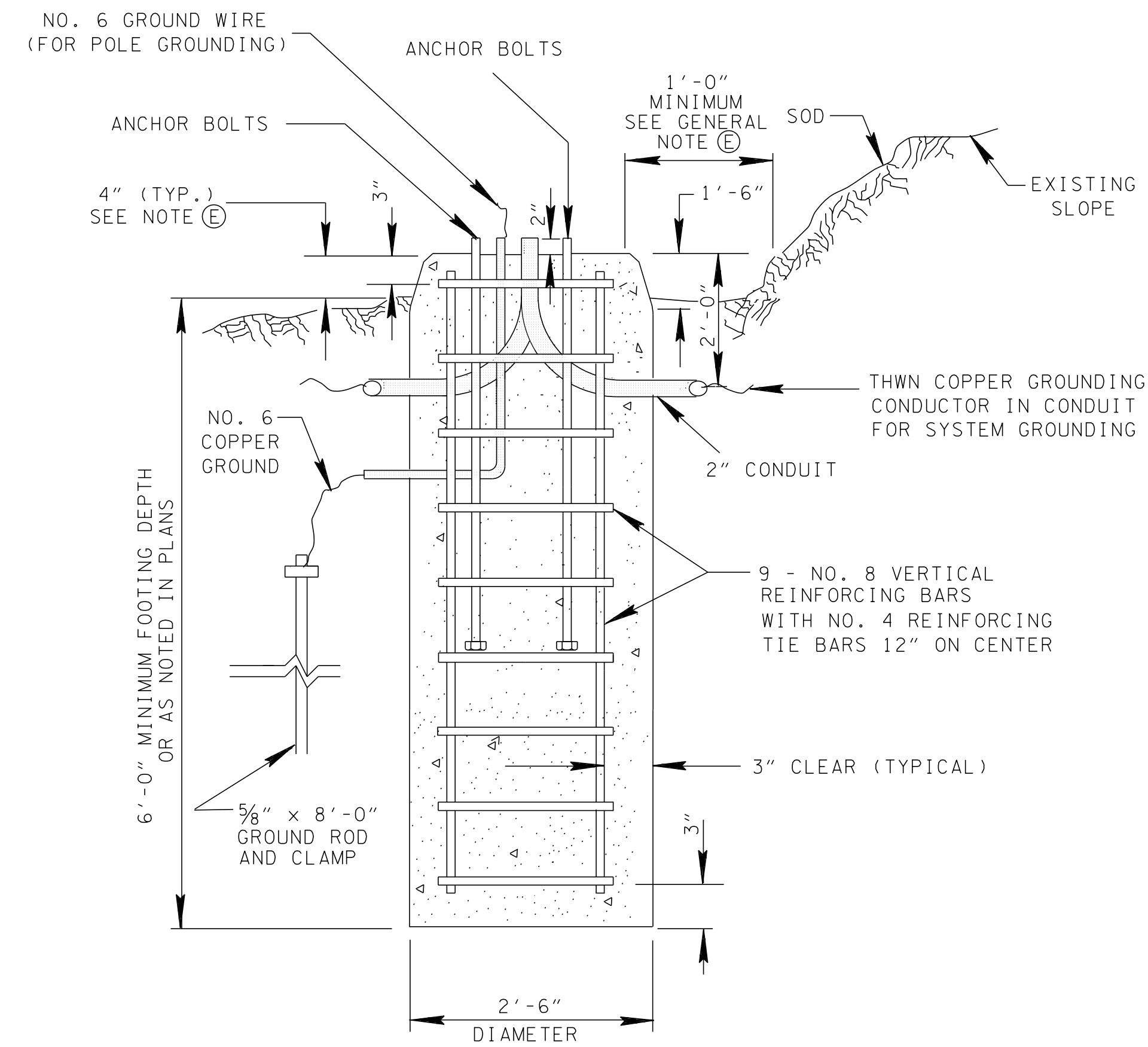
UNDER NO CONDITIONS WILL DRILLED AND GROUTED ANCHOR BOLTS BE ALLOWED



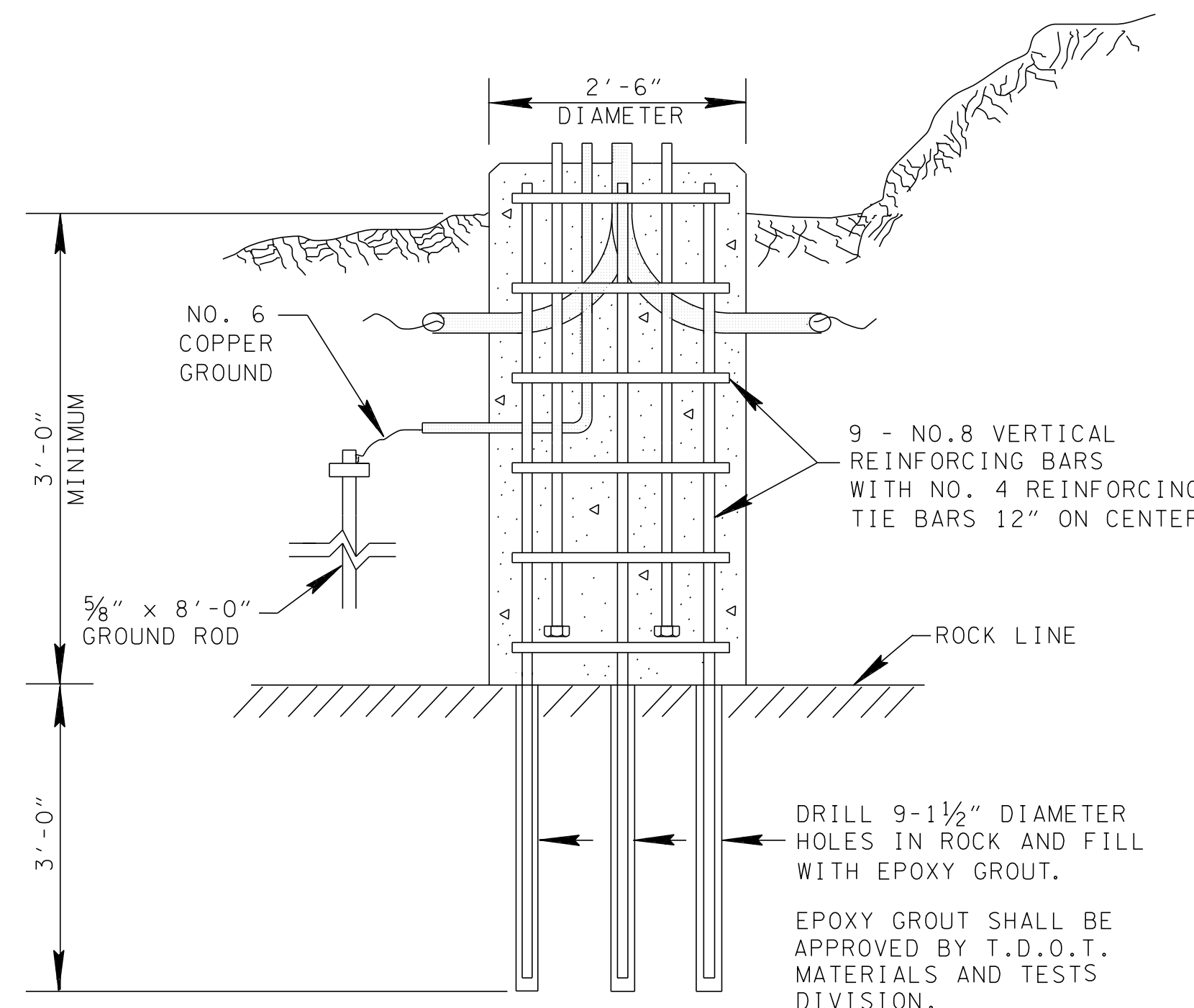
MINIMUM HIGH MAST FOOTING DEPTHS FOR ESTIMATING PURPOSES	
TOWER HEIGHT	MINIMUM FOOTING DEPTH
100'	14'-0"
101'-120'	18'-0"
121'-140'	22'-0"
141'-150'	26'-0"

HIGH MAST FOUNDATION DETAIL

TO BE DESIGNED BY CONTRACTOR



30'-50' STANDARD LIGHT FOUNDATION DETAIL



30'-50' STANDARD LIGHT FOUNDATION DETAIL IN ROCK

- REV. 11-12-93: NEW SHEET TRANSFERRED INFORMATION FROM T-L-1. ADDED METAL FOUNDATION DETAIL ALTERNATE.
- REV. 5-27-94: ADDED TABLE FOR HIGH MAST FOOTING AND GROUNDING CONDUCTOR SIZE.
- REV. 10-26-95: MODIFIED DESCRIPTION OF REINFORCING STEEL. CHANGED SIZE OF GROUND ROD ON HIGH MAST FOUNDATION DETAIL.
- REV. 12-16-03: DELETED GROUNDING CONDUCTOR CHART. ADDED NOTE E.
- REV. 7-29-04: CHANGED DRAWING NO. FROM T-L-1A TO T-L-1. ADDED GENERAL NOTE (E). DELETED GROUNDING CONDUCTOR SIZE TABLE.
- REV. 02-15-07: ADDED ANCHOR BOLT DETAIL. NOTES AND NOTE (E) AND (F) ADDED.
- REV. 12-4-13: CHANGED ANCHOR BOLTS TO THREADED. ADDED BEARING AREA TABLE.
- REV. 12-20-19: UPDATED ASTM STANDARDS ALTERNATE METAL FOUNDATION DETAIL.
- REV. 11-17-20: CORRECTED MISPELLED WORDS.
- REV. 9-12-23: CHANGED FONT FOR ANCHOR BOLT DETAIL. LABELED HORIZONTAL AND VERTICAL REINFORCING BARS. ADDED SPACING DIMENSIONS FROM TOP OF FOOTING TO GROUND LINE. ADDED MINIMUM DIAMETER. ADDED "TO BE DESIGNED BY CONTRACTOR", AND DELETED LABELS NOTING SIZE OF VERTICAL AND HORIZONTAL REINFORCING BARS ON HIGH MAST FOUNDATION DETAIL. UPDATED QUANTITY AND SIZE OF VERTICAL REINFORCING BARS ON 30' -50' STANDARD LIGHT FOUNDATION DETAIL. UPDATED QUANTITY AND SIZE OF VERTICAL REINFORCING BARS AND UPDATED QUANTITY OF HOLES TO BE DRILLED IN ROCK ON 30' -50' STANDARD LIGHT FOUNDATION DETAIL IN ROCK. REORGANIZED SHEET.

GENERAL NOTES

- (A) ANCHOR BOLT CIRCLE DIAMETER SHALL COMPLY WITH POLE MANUFACTURER'S ANCHOR BOLT PATTERN FOR THE SPECIFIC POLE AND BREAKAWAY BASE.
- (B) THE TOP 1'-0" OF THE FOUNDATION MAY BE FORMED SQUARE.
- (C) WHEN NECESSARY DUE TO ROCK, THE GROUND ROD MAY BE PLACED HORIZONTALLY IN THE CONDUIT TRENCH, A 3 INCH MINIMUM SEPARATION FROM CONDUIT SHALL BE MAINTAINED.
- (D) FOUNDATION SHALL BE PLACED AGAINST UNDISTURBED SOIL. IF ROCK OR WATER IS ENCOUNTERED DURING EXCAVATION FOR FOUNDATION, THE CONTRACTOR MAY PROPOSE MODIFICATIONS TO THE FOUNDATION DESIGN, SUBJECT TO THE REVIEW AND APPROVAL OF THE ENGINEER.
- (E) GROUND PROFILE SHOULD DRAIN WATER AWAY FROM FOUNDATION.
- (F) SEE STRUCTURES STD. DWG. STD-8-4 FOR ADDITIONAL DESIGN AND MATERIAL SPECIFICATIONS.

MINOR REVISION -- FHWA APPROVAL NOT REQUIRED.

STATE OF TENNESSEE
DEPARTMENT OF TRANSPORTATION

STANDARD LIGHTING
FOUNDATION
DETAILS