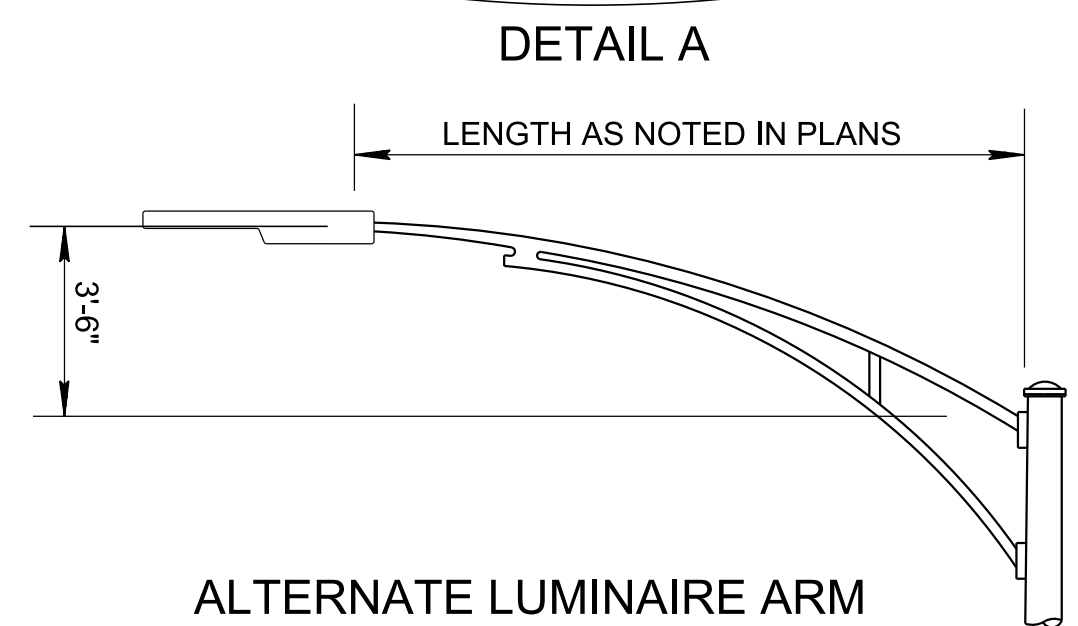
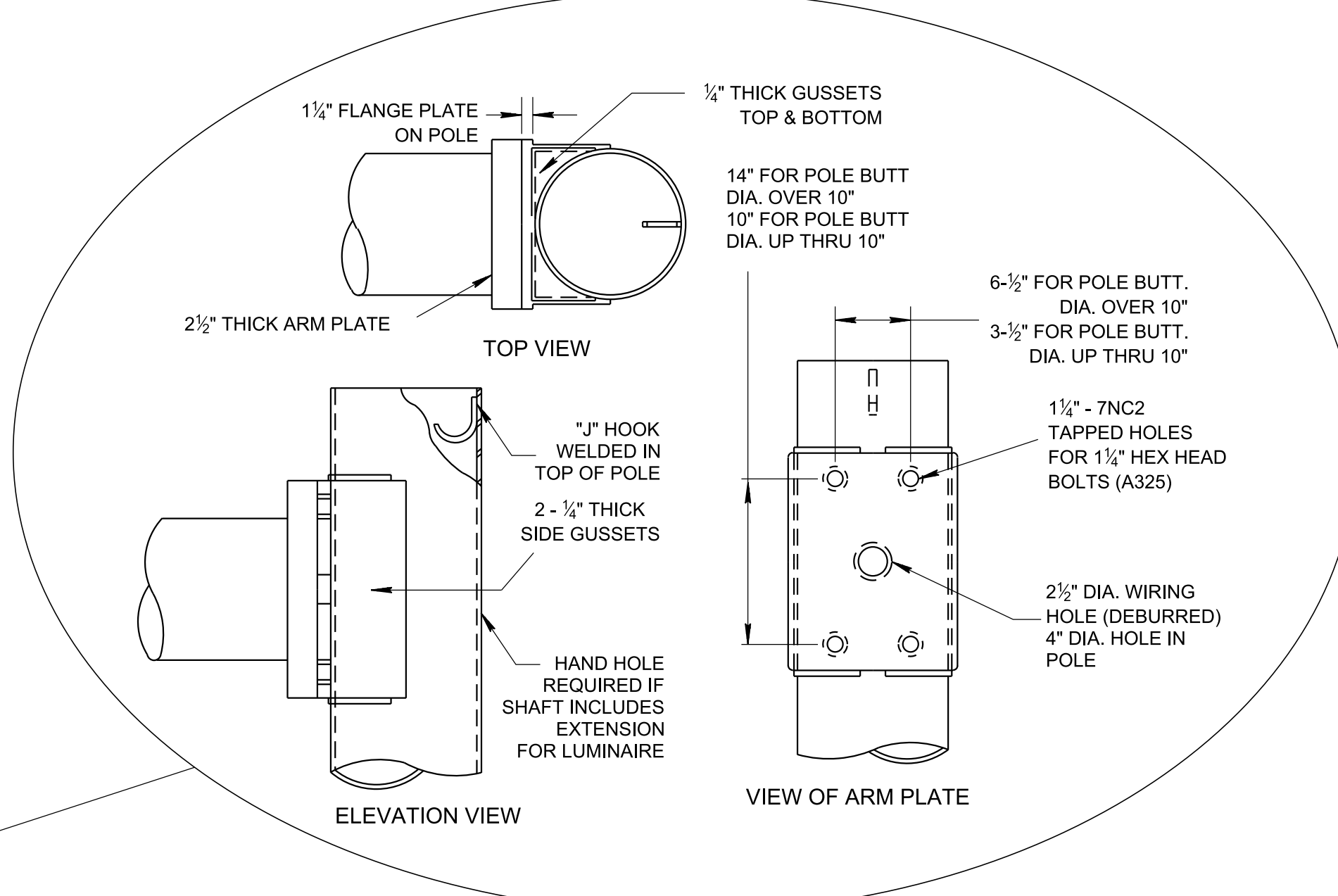
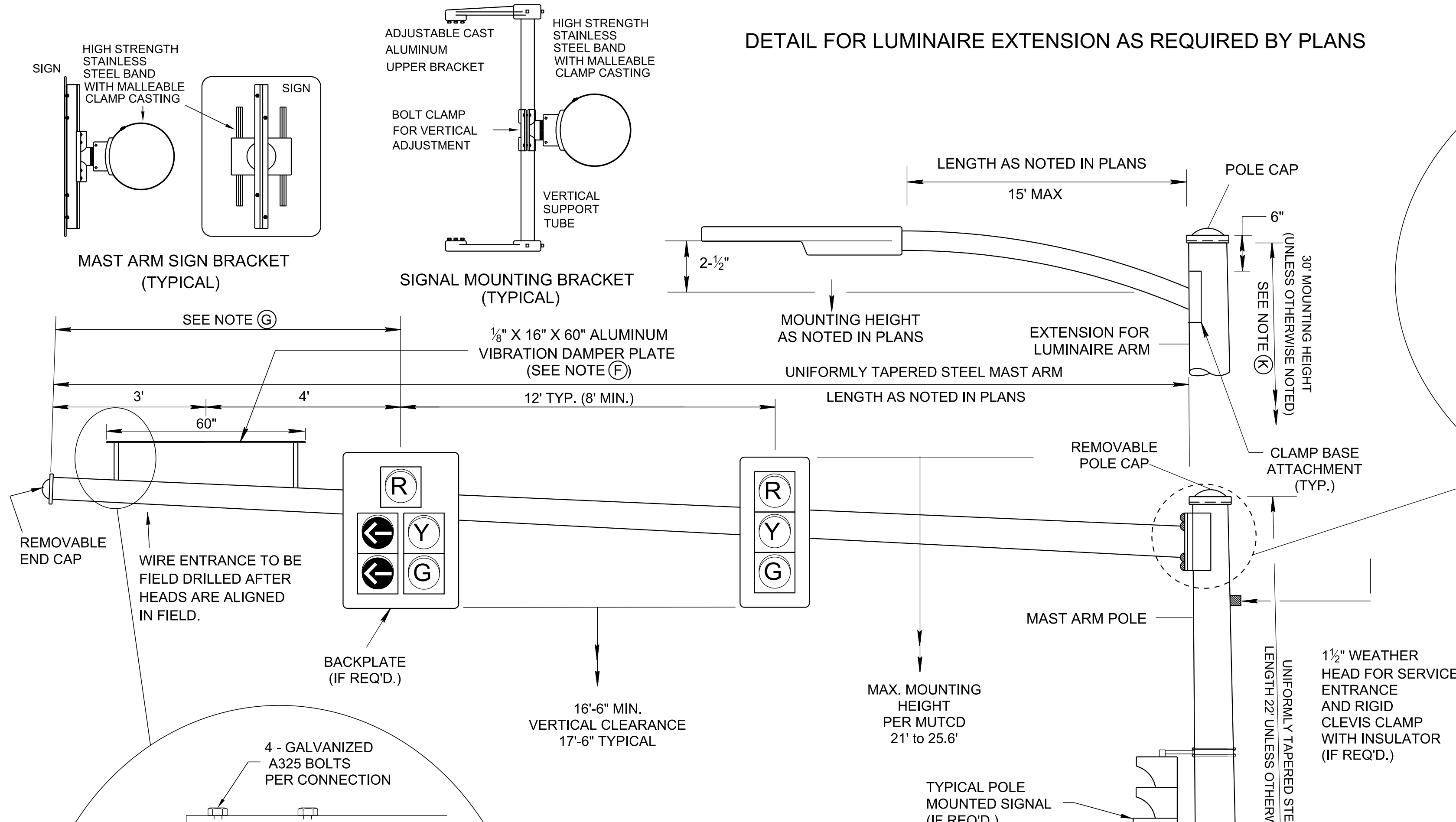
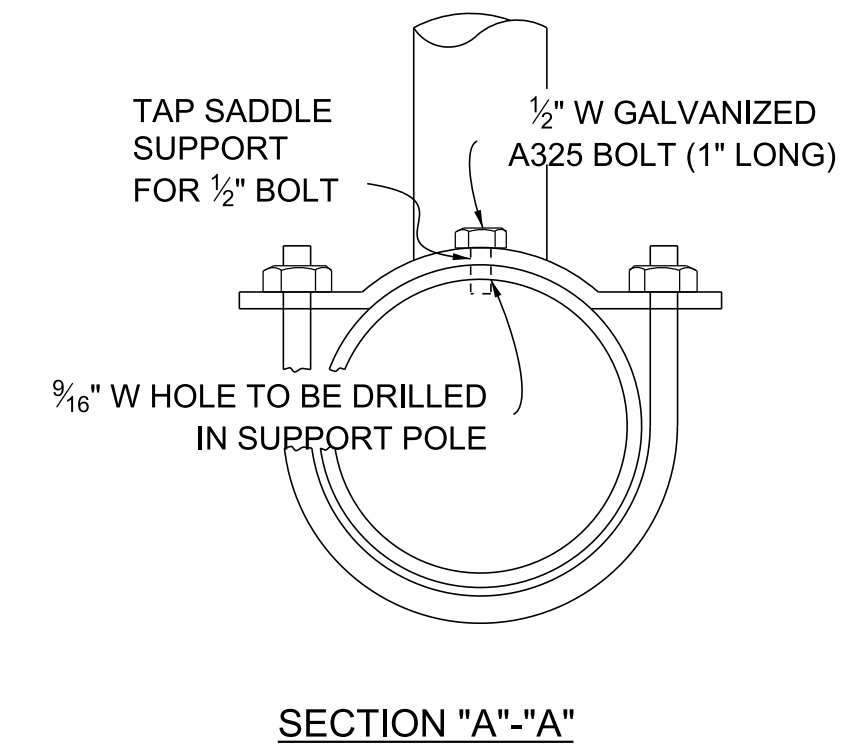
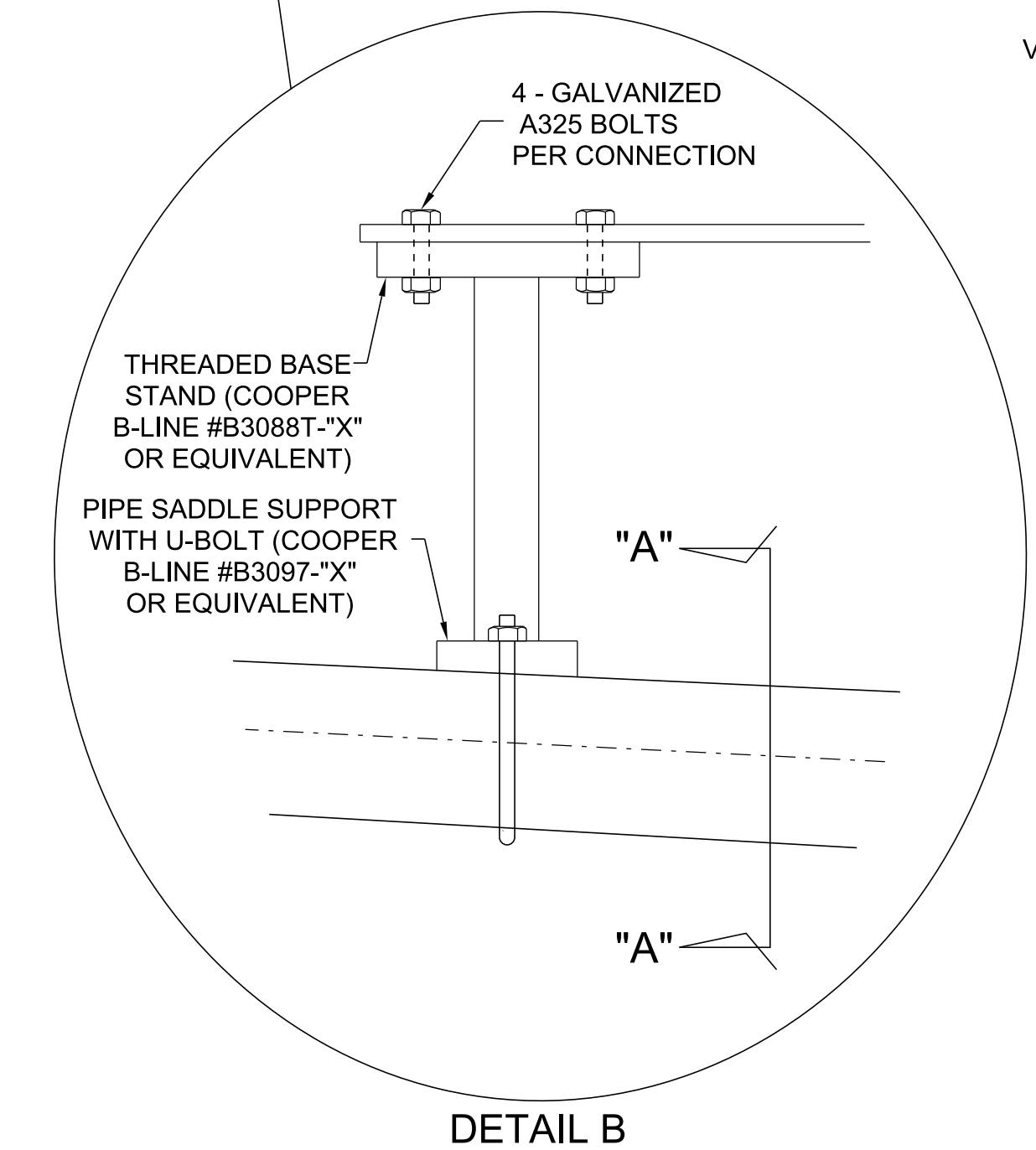


DETAIL FOR LUMINAIRE EXTENSION AS REQUIRED BY PLANS



- MAST ARM GENERAL NOTES**
- (A) MAST ARM POLE FOUNDATIONS MAY BE ADJUSTED UP TO 2' TO AVOID UTILITIES. ADJUSTMENTS GREATER THAN 2' MUST BE REVIEWED AND APPROVED BY ENGINEER. THE CONTRACTOR SHALL BE RESPONSIBLE FOR VERIFYING ARM LENGTH IS ADEQUATE FOR PROPER SIGNAL HEAD PLACEMENT PER T-SG-7A THROUGH T-SG-7S.
 - (B) IF CABINET IS POLE MOUNTED, POWER SERVICE CABLE MAY BE RUN DOWN OUTSIDE OF STEEL STRAIN POLE IN 1" RGS RISER AS ALTERNATE TO INTERNAL RUN. UNDERGROUND POWER SERVICE SHALL BE RUN THROUGH SEPARATE 1" RGS CONDUIT THROUGH POLE FOUNDATION (SEE STD. DWG. T-SG-5).
 - (C) ENTRANCES FOR MAST ARM AND POLE MOUNTED SIGNAL HEADS SHALL BE FIELD DRILLED TO ENSURE PROPER PLACEMENT.
 - (D) THE TOP OF ALL SIGNAL HEADS ON EACH APPROACH TO BE APPROX. SAME HEIGHT PER T-SG-7A THROUGH T-SG-7S.
 - (E) PEDESTRIAN SIGNAL HEADS TO BE CLAMSHELL MOUNTED UNLESS OTHERWISE SHOWN ON PLANS.
 - (F) VIBRATION DAMPER PLATE SHOULD BE INSTALLED ON ALL MAST ARMS 50' OR LONGER AND ALWAYS BE INSTALLED AT OUTSIDE TIP.
 - (G) WHEN A VIBRATION DAMPER PLATE IS NOT REQUIRED, THEN A 2' MIN. DISTANCE SHALL BE REQUIRED FROM THE END OF THE MAST ARM TO THE LAST SIGNAL HEAD OR SIGN.
 - (H) FOR ADDITIONAL INFORMATION ON TRAFFIC SIGNAL MAST ARM POLES, SEE TDOT TRAFFIC DESIGN MANUAL, CHAPTER 9.
 - (J) PLACEMENT OF POLE MUST MEET ADA REQUIREMENTS.
 - (K) THERE SHALL BE A MINIMUM SEPERATION OF 8' BETWEEN THE TRAFFIC SIGNAL AND LUMINAIRE MAST ARMS.

- REV. 7-29-92: DELETED CLAMP AND CLEVIS MOUNT FOR SIGNAL HEADS.
- REV. 7-29-96: REDREW SHEET ON CADD AND MADE MINOR CHANGES.
- REV. 12-16-03.: REDREW SHEET. REV. SIGNAL MOUNTING BRACKET, ADDED SIGN MOUNTING BRACKET DETAIL AND REDREW POLE DETAIL. ADDED MAX. MOUNTING HEIGHT FOR SIGNAL HEADS AND ADDED HAND HOLE DETAIL.
- REV. 7-29-04: REDREW AND REDESIGNED SHEET.
- REV. 11-16-07.: ADDED VIBRATION DAMPER PLATE DETAILS.
- REV. 12-4-13: CHANGED ANCHOR BOLTS TO THREADED.
- REV. 6-27-16: REVISED SIGNAL HEAD AND VIBRATION DAMPER PLATE MOUNTING DIMENSIONS. CHANGED PEDESTRIAN SIGNAL HEAD TO COUNTDOWN. ADDED 1' MIN. DIMENSION BETWEEN POLE MOUNTED SIGNAL HEAD AND COUNTDOWN PEDESTRIAN SIGNAL HEAD ALONG WITH NOTE. REVISED NOTES (A) AND (B) IN MAST ARM GENERAL NOTES, DELETED NOTE (E), AND RE-LETTERED REMAINING NOTES. MADE MINOR TEXT EDITS ON SHEET. REVISED EXAMPLE POLE INFORMATION PLATE.
- REV. 7-11-17: ADDED NOTE (C) AND "SEE NOTE (G)" DIMENSION. ADDED "TO AVOID UTILITIES" TO GENERAL NOTE (A).
- REV. 10-21-19: ADDED NOTE (H).
- REV. 7-15-24: REVISED TO LED LIGHT.

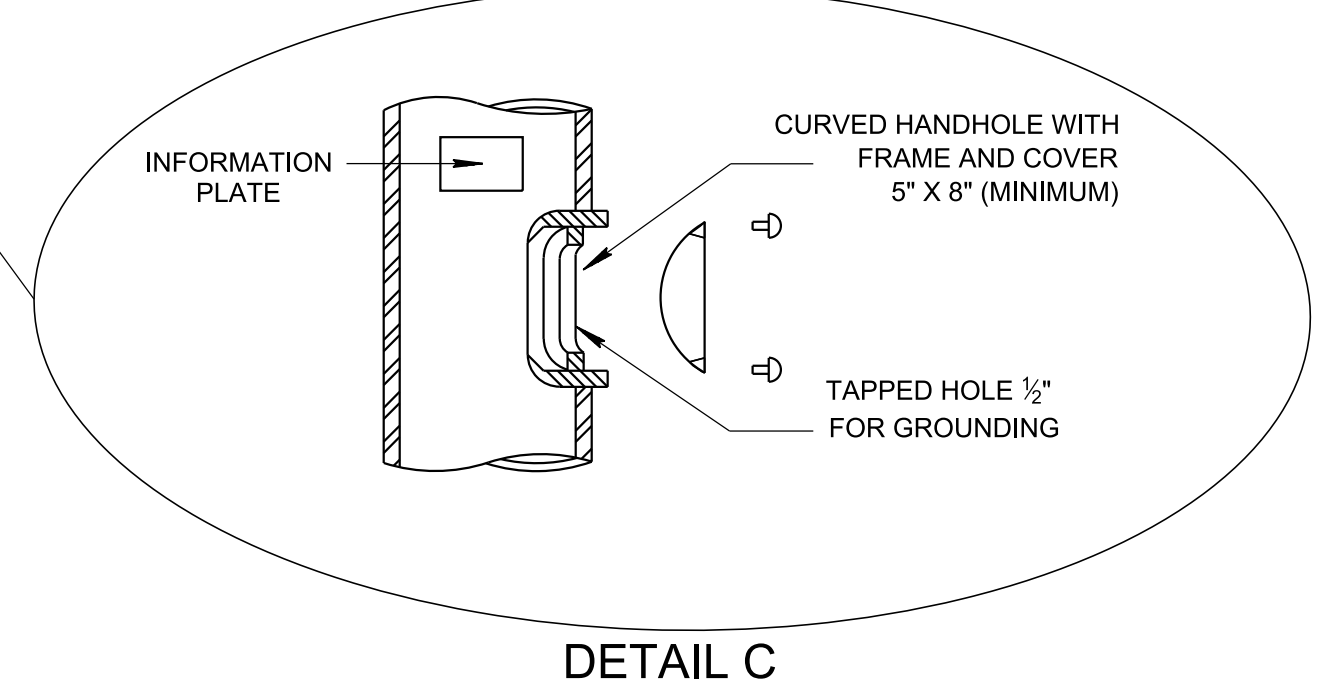


VIBRATION DAMPER PLATE DETAILS

POLE MANUFACTURER
MANUFACTURER DESIGN NO.
DATE OF MANUFACTURE
TDOT PROJECT NO.
** MOMENT CAPACITY (FT-LBS)

EXAMPLE PLATE
ACME POLE COMPANY
DESIGN NO. 01234
DATE OF MANUFACTURE 12-31-03
TDOT PROJECT NO. CM-STP-106(4)
MOMENT CAPACITY 50,000 FT-LBS

TYPICAL POLE INFORMATION PLATE
MIN. 2" x 4"
(TO BE ATTACHED TO POLE BASE ADJACENT TO HANDHOLE)
** TO BE ROUNDED UP TO THE NEAREST 500 FT-LBS



DETAIL C

MINOR REVISION -- FHWA APPROVAL NOT REQUIRED.

STATE OF TENNESSEE
STANDARD DRAWING
DEPARTMENT OF TRANSPORTATION

CANTILEVER
SIGNAL SUPPORT
DETAIL