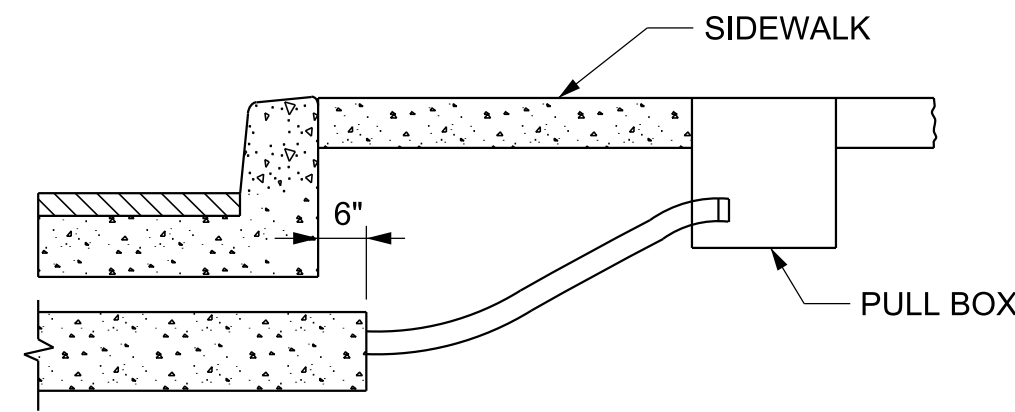
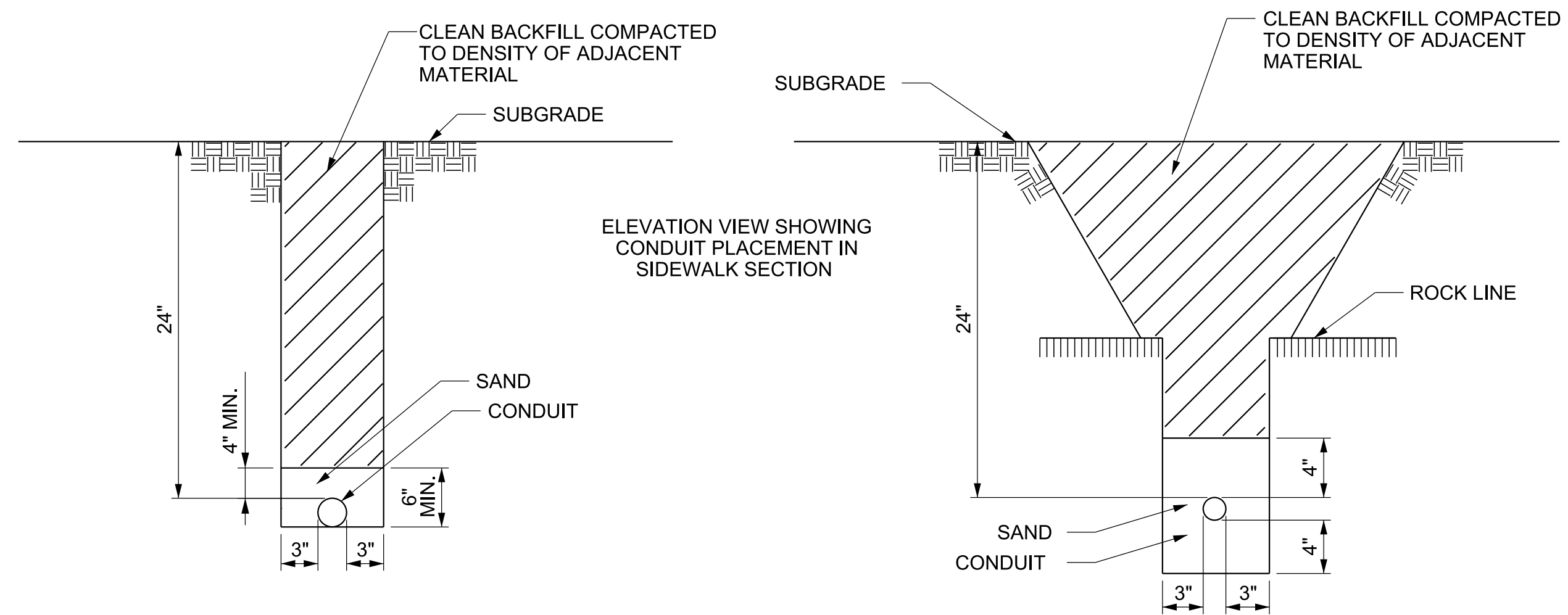


ELEVATION VIEW SHOWING CONDUIT PLACEMENT IN ROADWAY WITH PAVED SHOULDERS



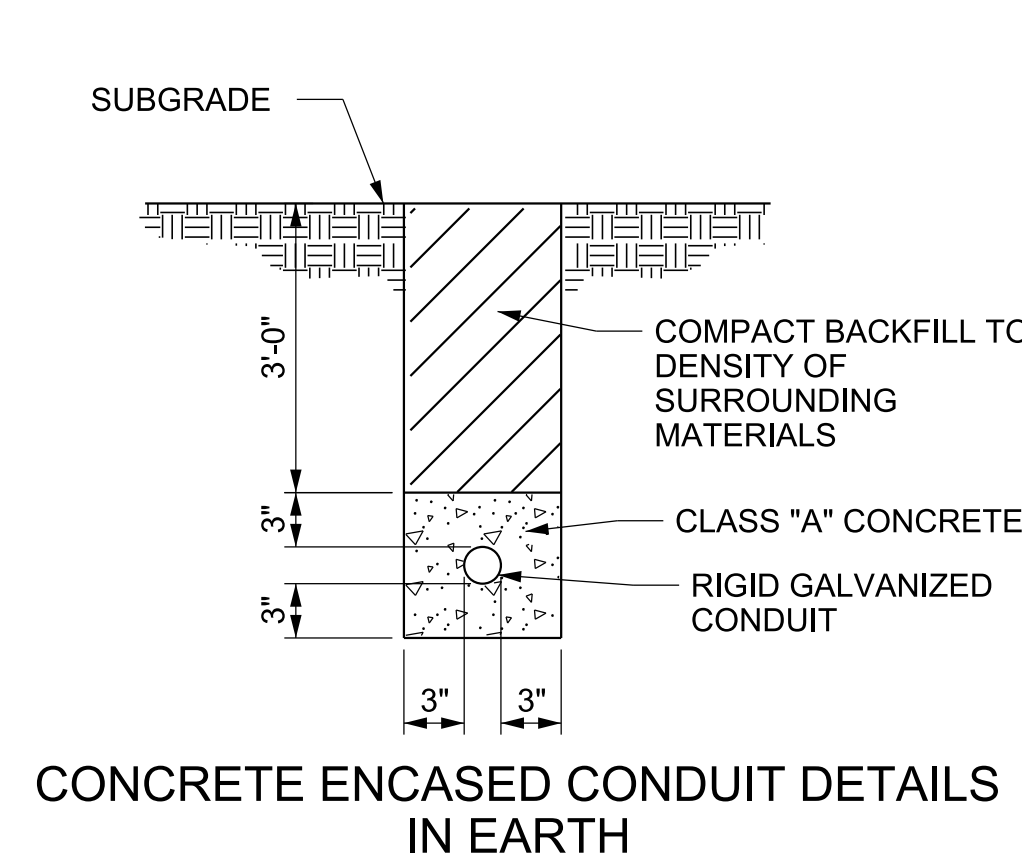
ELEVATION VIEW SHOWING CONDUIT PLACEMENT IN SIDEWALK SECTION



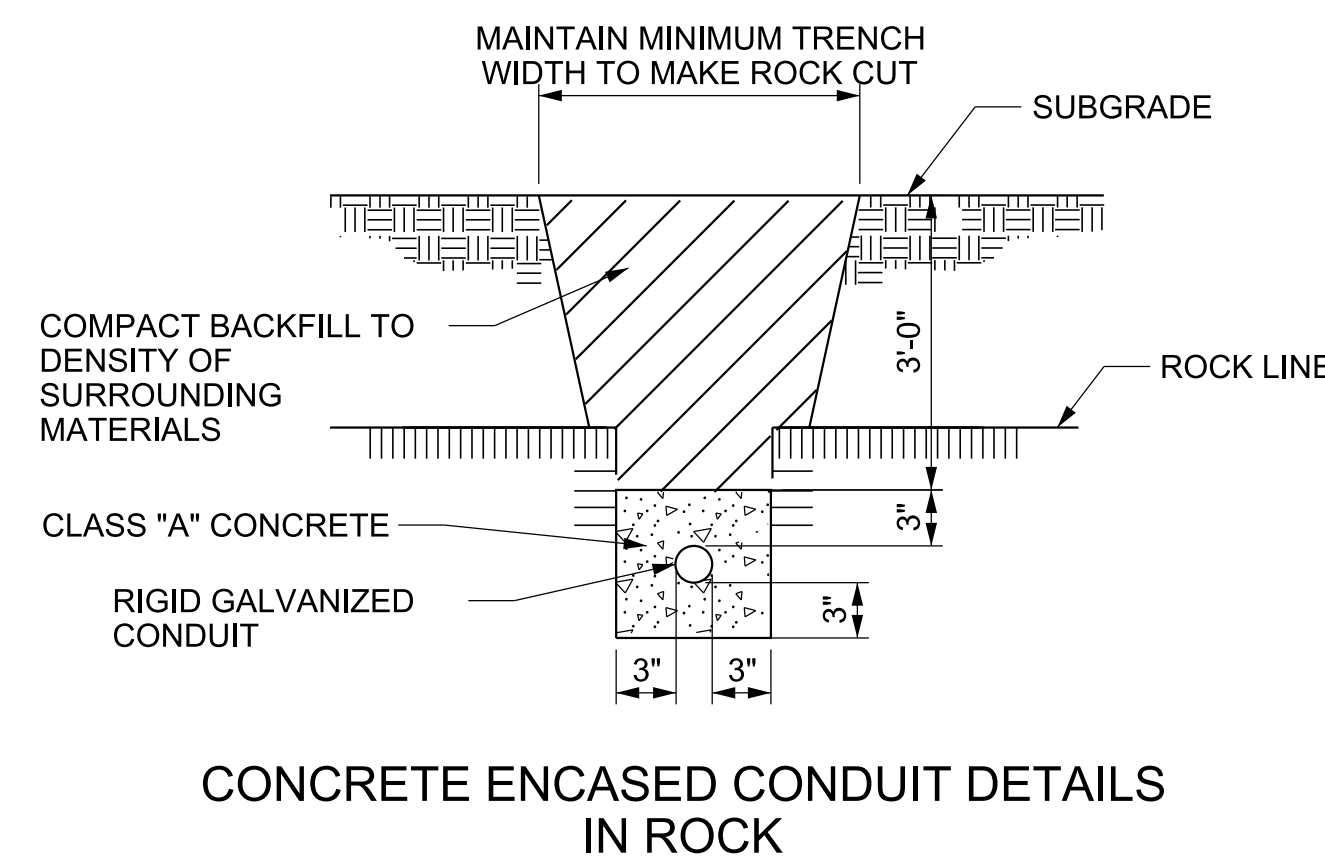
DIRECT BURIAL CONDUIT DETAILS IN EARTH

DIRECT BURIAL CONDUIT DETAILS IN ROCK

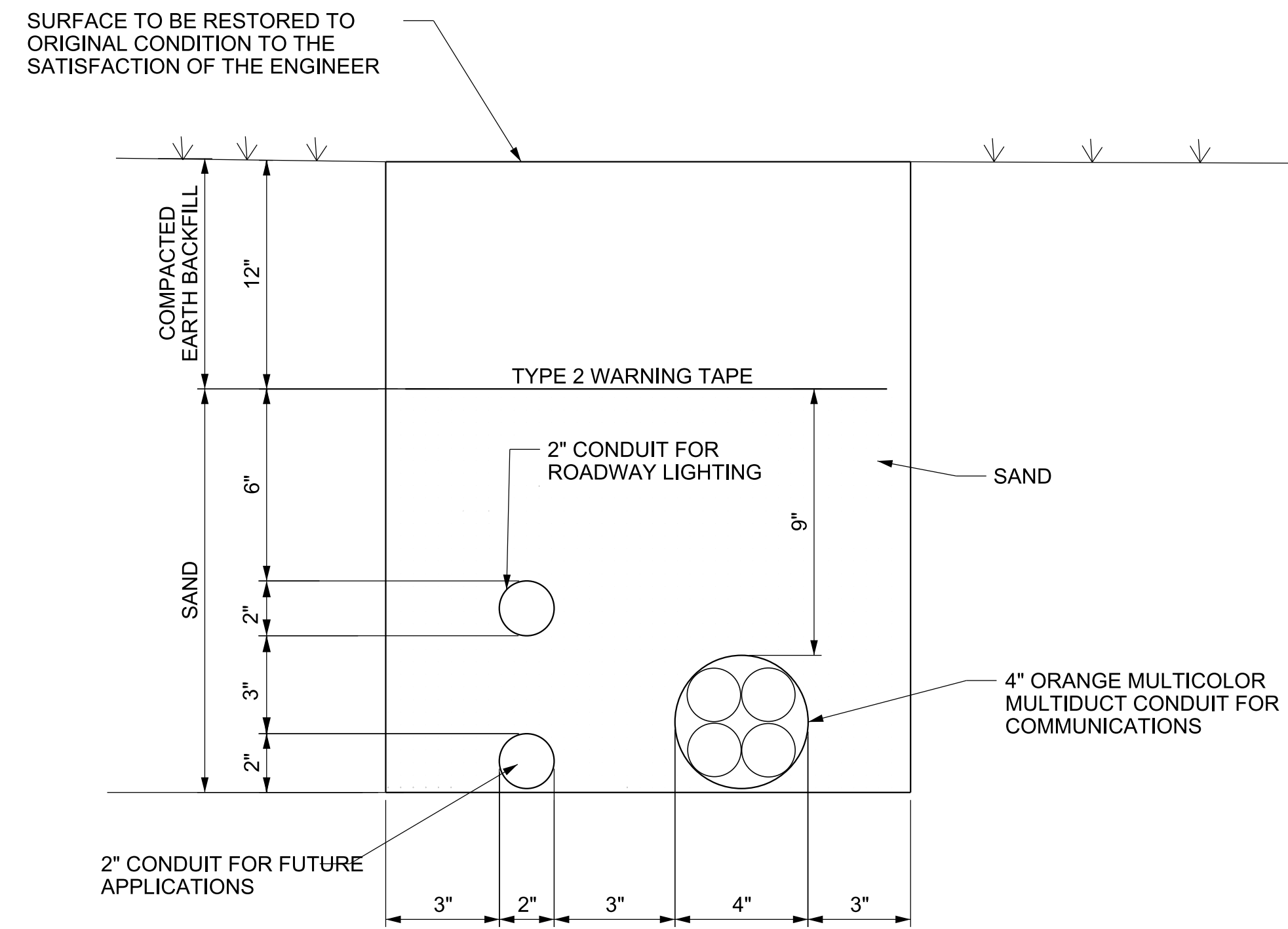
NOTE: WHERE THERE IS MORE THAN ONE CONDUIT PER TRENCH, CONDUITS SHALL NOT BE PLACED CLOSER THAN 203 mm CENTER TO CENTER.



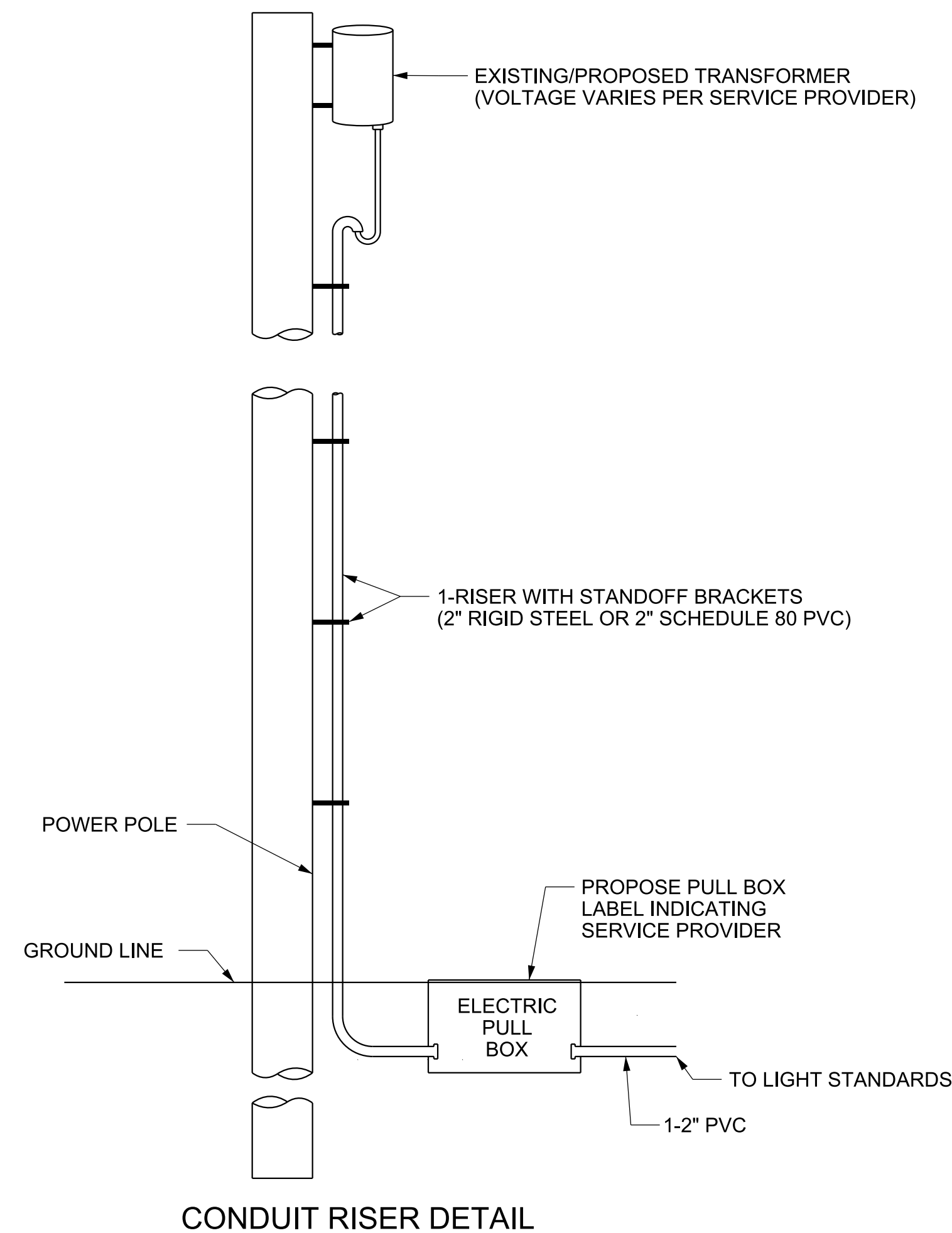
CONCRETE ENCASED CONDUIT DETAILS IN EARTH



CONCRETE ENCASED CONDUIT DETAILS IN ROCK



TYPICAL TRENCH LAYOUT FOR COMM/ POWER BACKBONE



CONDUIT RISER DETAIL

- REV. 7-29-96: REDREW SHEET ON CADD AND MADE MINOR CHANGES.
- REV. 12-16-03: DELETED SPLICING DETAIL AND ADDED COMM/POWER BACKBONE TRENCH LAYOUT.
- REV. 7-29-04: ADDED TRENCH LAYOUT FOR COMM/ POWER BACKBONE DETAIL. DELETE DIRECT BURIAL DETAIL & TYPICAL SPLICING TAPING DETAILS.
- REV. 5-25-11: ADDED CONDUIT RISER ATTACHMENT DETAIL FOR SHARED USE UTILITY POLES.
- REV. 7-15-24: REORGANIZED SHEET AND UPDATE CONDUIT RISER DETAIL.

NOT TO SCALE

□ MINOR REVISION -- FHWA APPROVAL NOT REQUIRED.

STATE OF TENNESSEE
STANDARD DRAWING
DEPARTMENT OF TRANSPORTATION

STANDARD LIGHTING DETAILS
CONDUIT, CABLE
INSTALLATION