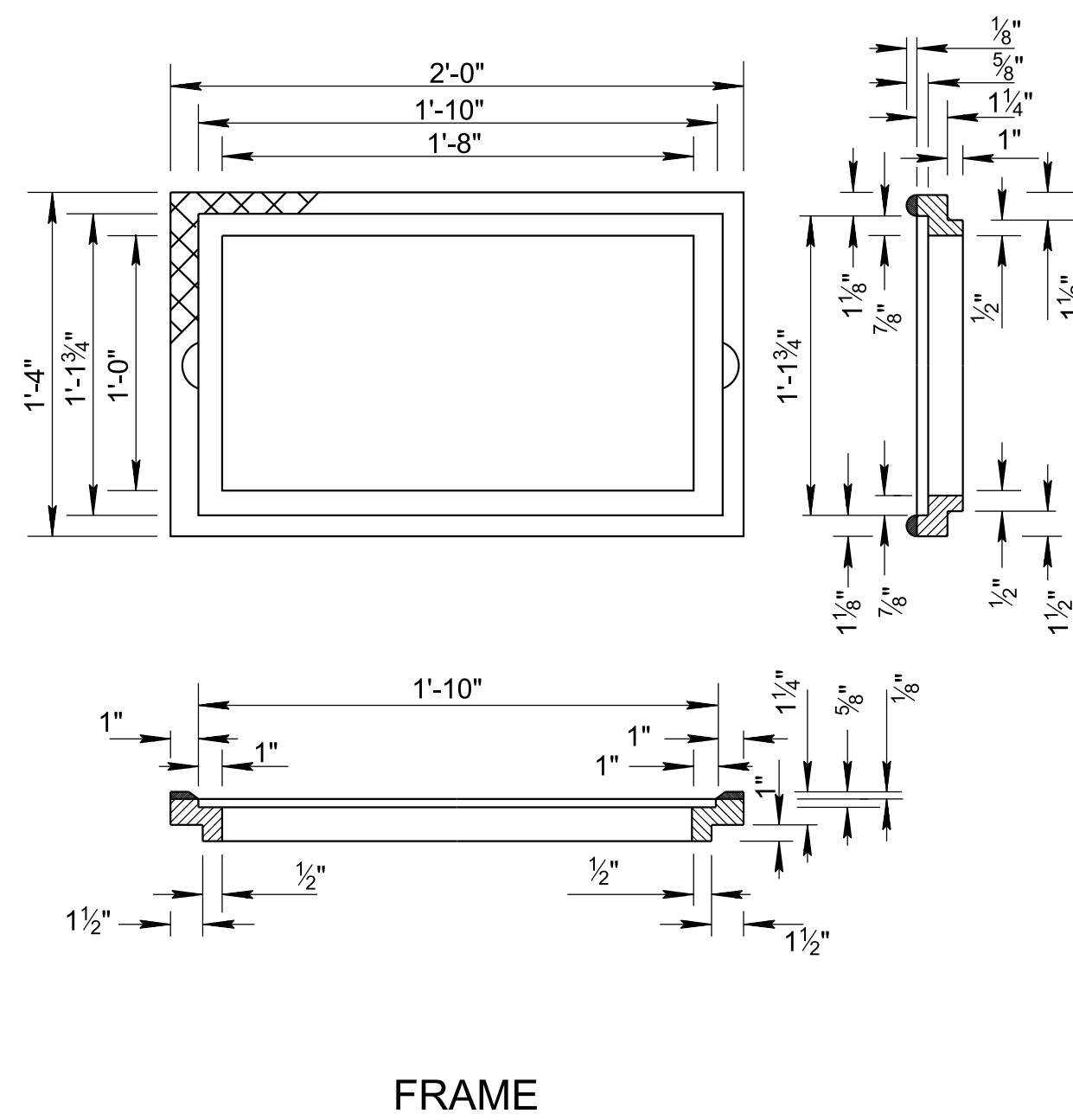
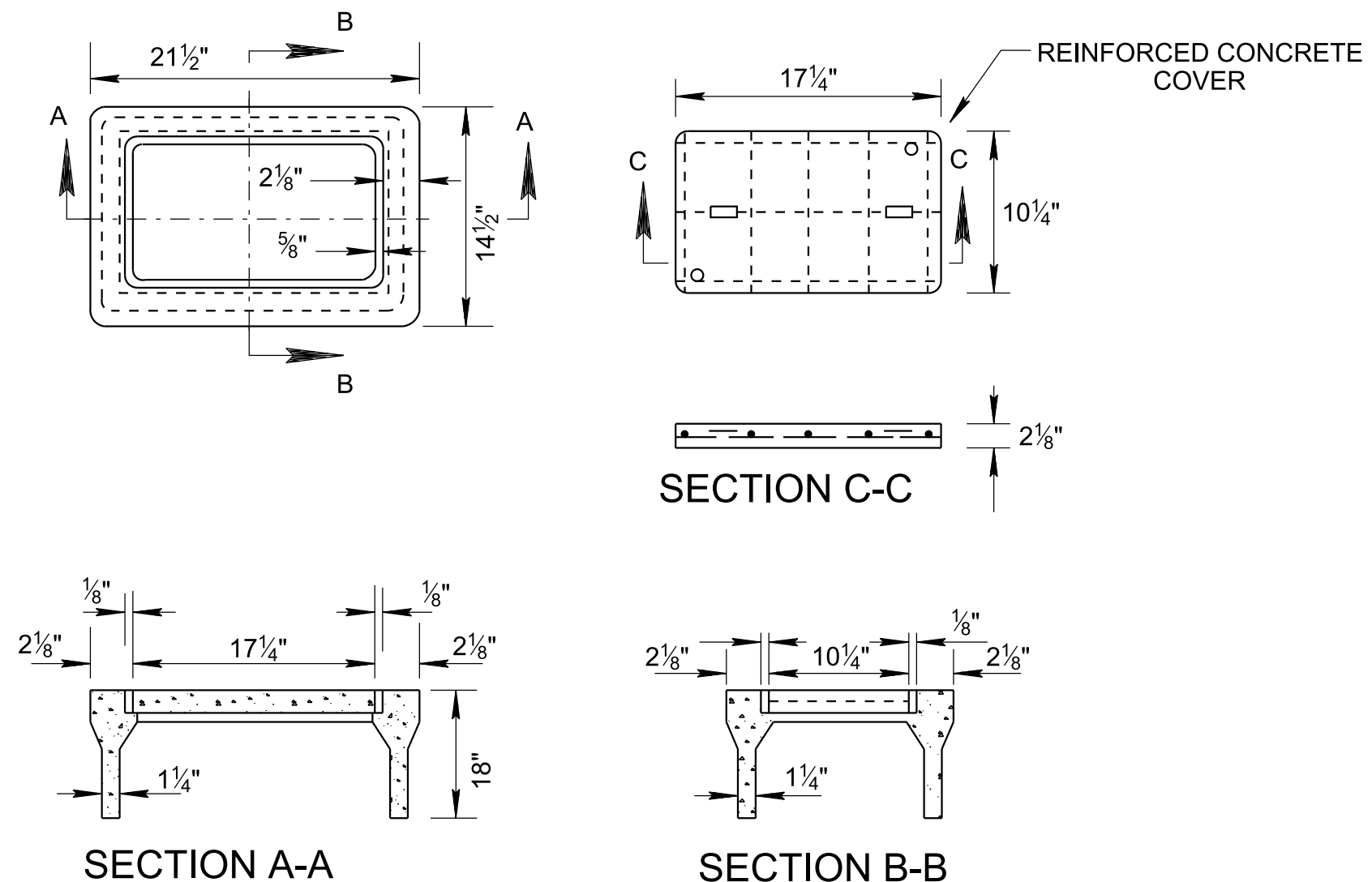


COVER

DETAIL OF PULL BOX CASTING (TYPE "A")



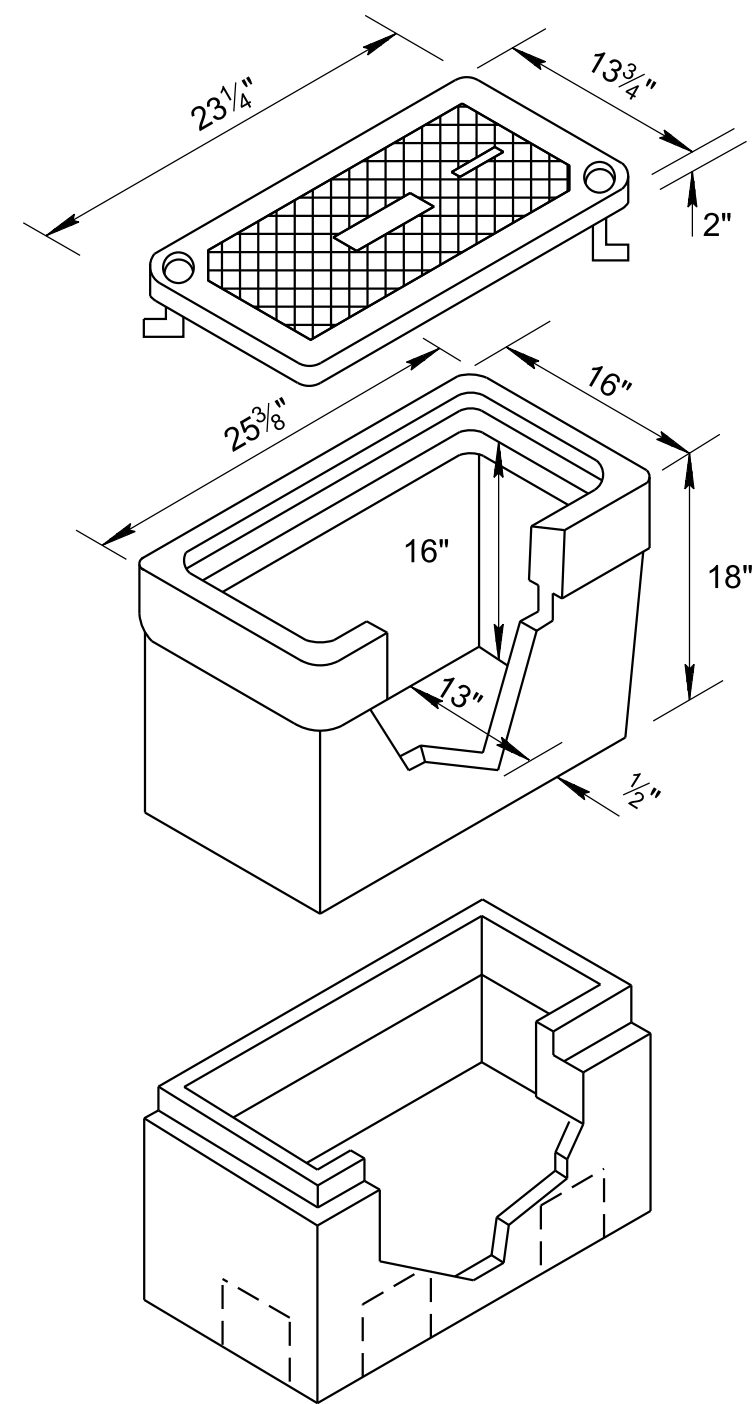
FRAME



SECTION A-A

SECTION B-B

DETAIL OF PULL BOX (TYPE "B")
CONCRETE

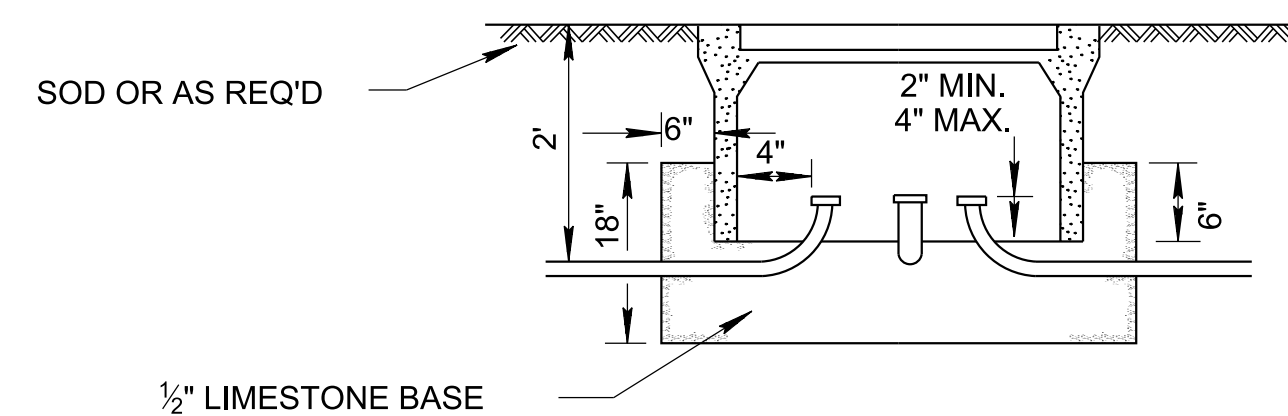


DETAIL OF PULL BOX (TYPE "C")

PRECAST PULL BOX COMPOSED OF REINFORCED PLASTIC MORTAR OR STRUCTURAL FOAM

DESIGNED FOR LIGHT VEHICULAR TRAFFIC BASED ON 8,000 LBS. SINGLE AXLE LOAD OVER ANY 10" x 10" AREA

BOXES MAY BE NESTED FOR DEEP CONDUIT AND FOR MORE WORKING ROOM.



PULL BOX INSTALLATION
(TYPICAL, TYPES B&C)

GENERAL NOTES

- (A) CONCRETE PULL BOXES SHALL BE CONSTRUCTED OF A MIXTURE OF ONE PART CEMENT, TWO PARTS SAND, AND FOUR PARTS GRAVEL OR 1" CRUSHED STONE, FORMED AND POURED IN PLACE OR PRECAST.
- (B) CAST IRON AND REINFORCED CONCRETE COVERS FOR CONCRETE PULL BOXES SHALL HAVE TWO GALVANIZED LIFT EYES AND BE SECURED BY TWO 3/8" BRASS 'L' BOLTS AND NUTS IN DIAGONAL CORNERS.
- (C) COVERS FOR ALL PULL BOXES SHALL HAVE A ROUGHENED SURFACE AND BE MARKED "STREET LIGHT" WITH 2" LETTERS CAST IN COVER.
- (D) TOP OF PULL BOX SHALL BE 1" ABOVE FINISHED GRADE. EARTH BACKFILL SHALL BE LEVEL WITH TOP AND THOROUGHLY TAMPED TO SLOPE AWAY FROM THE BOX ON ALL SIDES.
- (E) EACH PULL BOX WALL SHALL HAVE A MINIMUM OF ONE CONDUIT STUB. UNUSED CONDUIT STUBS ARE TO BE CAPPED. SEE PLANS FOR ADDITIONAL CONDUIT STUBS FOR CABLE ENTRANCE.
- (F) CONDUIT STUB LOCATION AND DIRECTION MAY BE ADJUSTED WHERE PULL BOX IS OFFSET FROM CONDUIT RUN.
- (G) WHERE BENDS ARE NOT NEEDED TO INSTALL RIGID METALLIC CONDUIT, STANDARD BENDING TOOLS SHALL BE USED.
- (H) PULL BOX TYPES "B" AND "C" ARE INTENDED AS ALTERNATES FOR AREAS SUBJECTED TO LIGHT VEHICULAR LOADS. PULL BOX TYPE "A" SHALL BE USED IN AREAS SUBJECTED TO HEAVY VEHICULAR LOADS. PULL BOX TYPE "C" IS USED FOR LIGHTING PROJECTS IF LOCAL UTILITY DOES NOT HAVE A PREFERENCE.

- REV. 1-30-86: REDREW SHEET. ADDED DETAIL FOR TYPE "B" PULL BOX.
- REV. 1-30-87: CHANGED AXLE LOADING FOR TYPE "C" PULL BOX.
- REV. 4-15-96: REDREW SHEET, REORGANIZED SHEET AND UPDATED TO 1996 STANDARDS.
- REV. 7-15-24: REORGANIZED SHEET. REMOVED DETAIL FOR REINFORCED TYPE "A" PULL BOX.

NOT TO SCALE

□ MINOR REVISION -- FHWA APPROVAL NOT REQUIRED.

STATE OF TENNESSEE
STANDARD DRAWING
DEPARTMENT OF TRANSPORTATION

STANDARD LIGHTING DETAILS
PULL BOXES