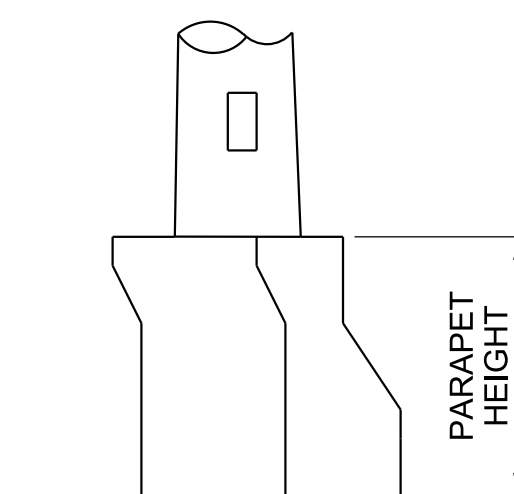
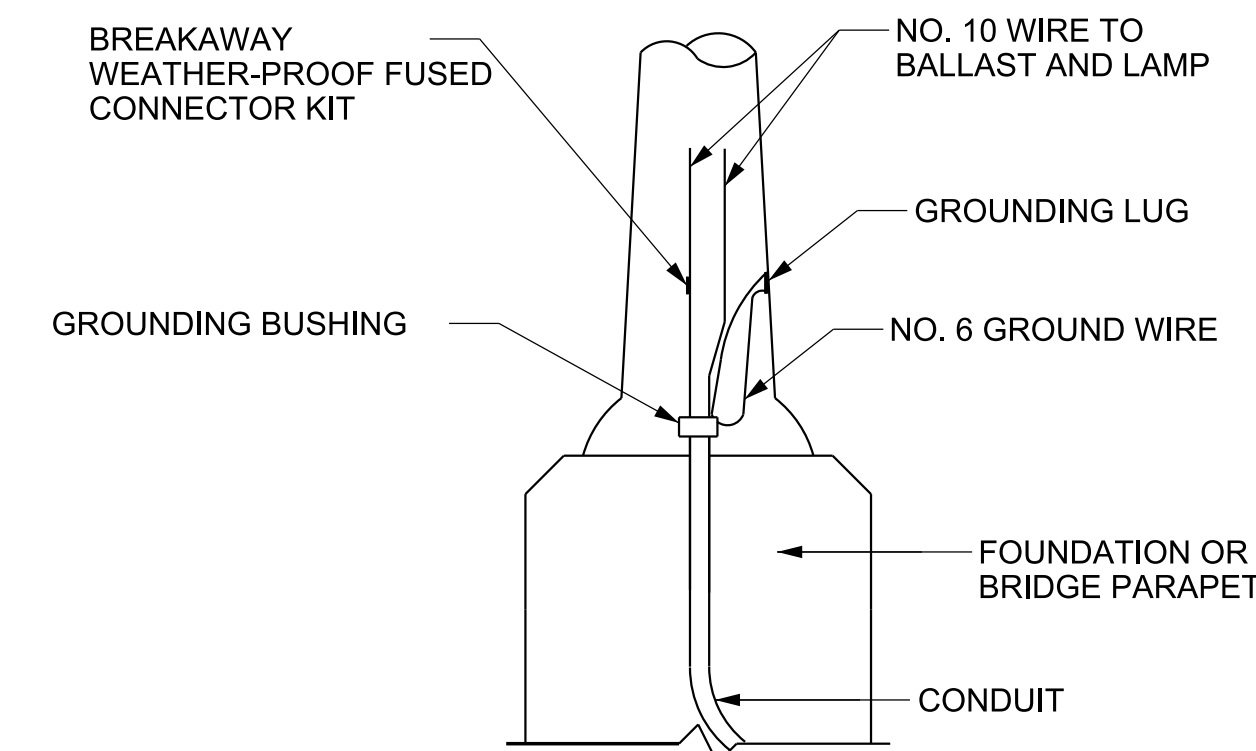


**LIGHT STANDARD DETAIL
CURB AND GUTTER**



**LIGHT STANDARD DETAIL
BRIDGE MOUNTED**



**LIGHT STANDARD DETAIL
CONNECTION DETAIL**

GENERAL NOTES

- (A) LIGHT STANDARD BASES SHALL MEET THE LATEST EDITION OF AASHTO, STANDARD SPECIFICATIONS FOR STRUCTURAL SUPPORTS FOR HIGHWAY SIGNS, LUMINAIRES, AND TRAFFIC SIGNALS. THE CONTRACTOR SHALL SUBMIT CERTIFICATION OF THE BREAKAWAY QUALITIES OF THE BASE TO THE TENNESSEE DEPARTMENT OF TRANSPORTATION, DIVISION OF STRUCTURES, PRIOR TO ERECTION.
- (B) SLIP BASES AND SLEEVE BASES ARE NOT ACCEPTABLE.
- (C) POLE HEIGHT SHALL INCLUDE ADJUSTMENT FOR SLOPE CONDITIONS AND THE BREAKAWAY BASE.
- (D) POLE HEIGHT ON BRIDGES SHALL INCLUDE ADJUSTMENT FOR THE HEIGHT OF THE PARAPET WALL.
- (E) THIS TYPE OF POLE SHALL NOT BE USED ADJACENT TO A SIDEWALK.
- (F) UNLESS OTHERWISE NOTED IN THE PLANS, POLES MAY BE STEEL OR ALUMINUM.
- (G) ALL LIGHT STANDARDS MOUNTED ON BRIDGES SHALL BE EQUIPPED WITH VIBRATION DAMPERS AS RECOMMENDED BY THE POLE MANUFACTURER.
- (H) A 1-INCH THICK NEOPRENE RUBBER GASKET SHALL BE PROVIDED AND INSTALLED BETWEEN THE POLE BASE AND PARAPET SUPPORT. SIZE OF THE SQUARE GASKET AND BOLT CIRCLE DIAMETER SHALL BE AS REQUIRED FOR THE POLE SUPPLIED.
- (I) IF THERE IS NO EXISTING OR PROPOSED SIDEWALK, LOCATE POLE BASED ON CLEAR ZONE REQUIREMENTS.
- (J) SEE T-L-1 FOR FOUNDATION DETAILS.

NOT TO SCALE

MINOR REVISION -- FHWA APPROVAL NOT REQUIRED.

STATE OF TENNESSEE
STANDARD DRAWING
DEPARTMENT OF TRANSPORTATION

STANDARD LIGHTING DETAILS
TENON MOUNTED
OFFSET LIGHTING
SUPPORTS