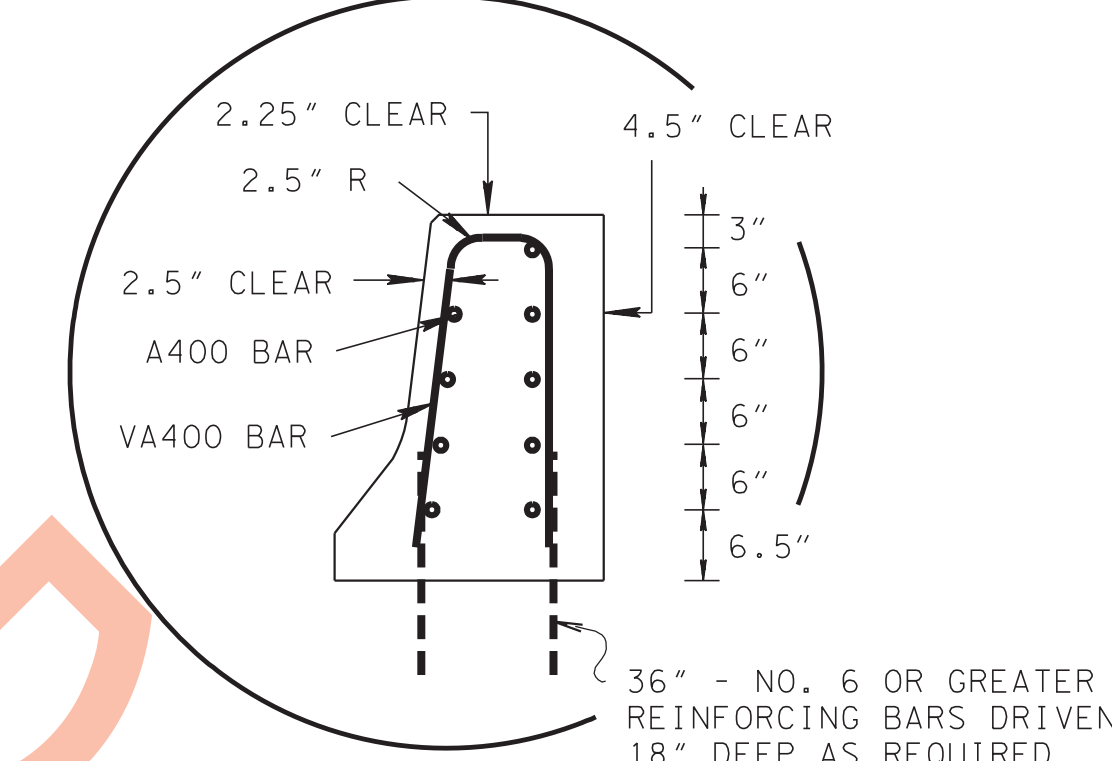
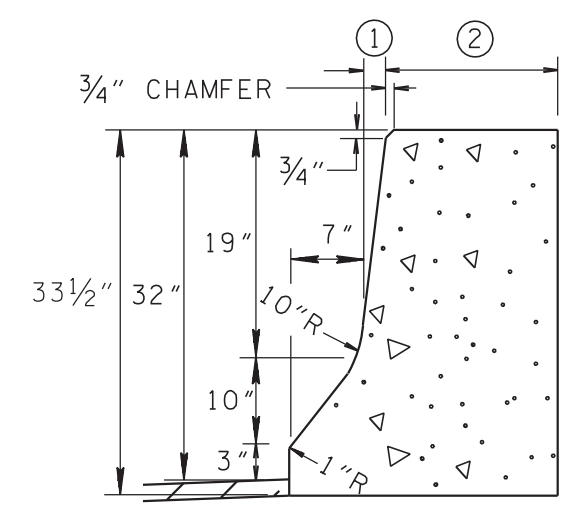


PLAN

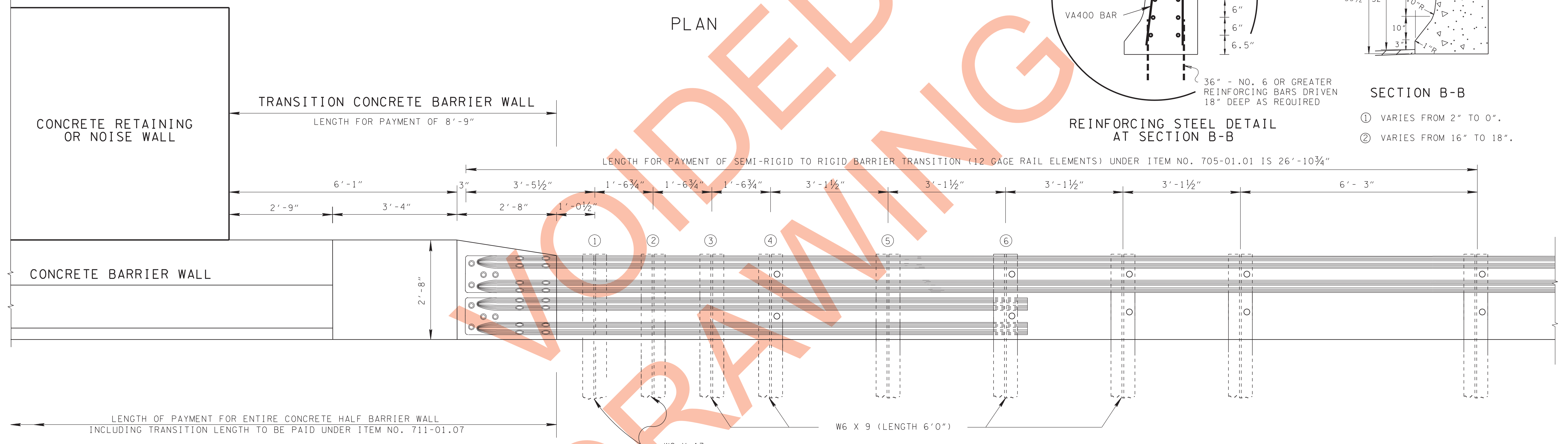


REINFORCING STEEL DETAIL AT SECTION B-B

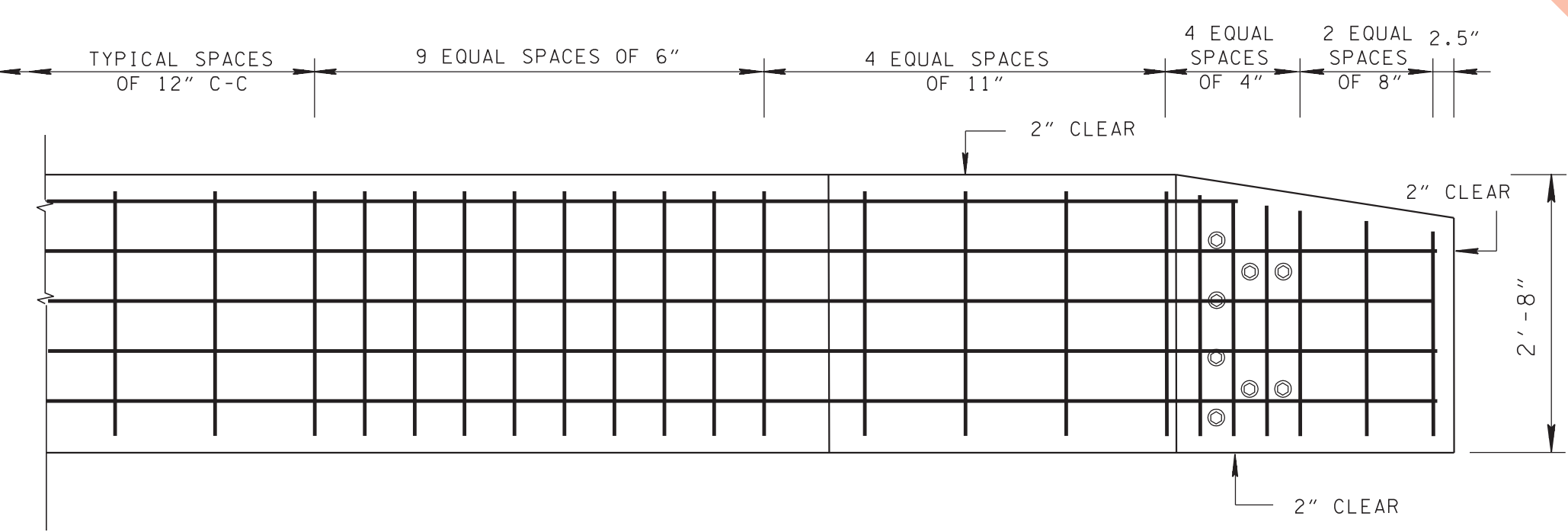


SECTION B-B

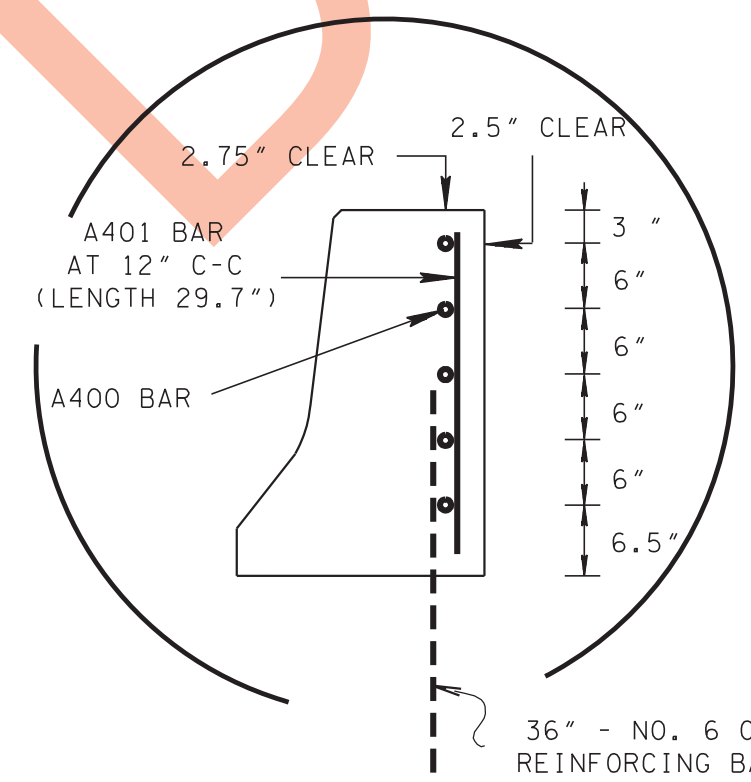
- ① VARIES FROM 2" TO 0".
- ② VARIES FROM 16" TO 18".



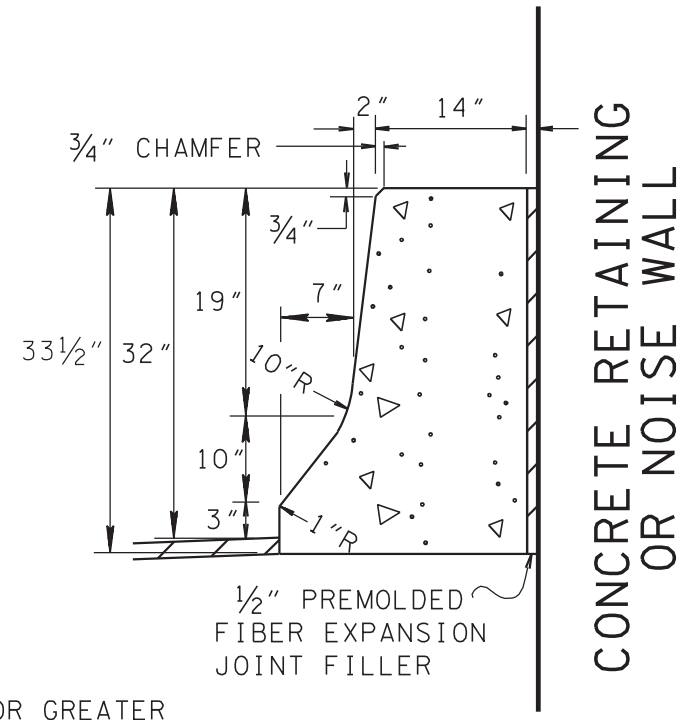
ELEVATION



REINFORCING STEEL DETAIL FOR CONCRETE BARRIER WALL



REINFORCING STEEL DETAIL AT SECTION A-A



SECTION A-A

- GENERAL NOTES**
- (A) CONCRETE BARRIER WALL SHALL BE CONSTRUCTED IN ACCORDANCE WITH STANDARD SPECIFICATIONS FOR ROAD AND BRIDGE CONSTRUCTION, SECTION 711 AND/OR CURRENT SPECIAL PROVISIONS.
 - (B) SEE STANDARD DRAWING S-GR-23 FOR DETAILS OF METAL GUARDRAIL AND FOR TERMINATING CONCRETE BARRIER WALL.
 - (C) SEE STANDARD DRAWING S-MB-1 FOR ADDITIONAL DETAILS AND GENERAL NOTES REGARDING CONTRACTION JOINTS, EXPANSION JOINTS AND TEXTURE FINISH.
 - (D) SEE STANDARD DRAWING S-MB-1 FOR DETAILS AND REQUIREMENTS FOR BARRIER WALL DELINEATOR.
 - (E) BARRIER WALL DELINEATORS WILL NOT BE REQUIRED IN AREAS WHERE ROADWAY IS LIGHTED.
 - (F) THE COST OF FURNISHING AND INSTALLING BARRIER WALL DELINEATORS, INCLUDING ALL MATERIALS, LABOR AND INCIDENTALS NECESSARY TO COMPLETE THE INSTALLATION, SHALL BE INCLUDED IN PRICE BID FOR CONCRETE BARRIER WALL. SEE S-MB-1 FOR LOCATION.
 - (G) ALONG TOP EDGES OF CONCRETE BARRIER WALL THE CONTRACTOR MAY USE 3/4" RADIUS IN LIEU OF 3/4" CHAMFER SHOWN ON THIS SHEET.
 - (H) THE CONTRACTION JOINTS ARE TO BE SPACED AT 20 TO 25 FOOT INTERVALS WHEN CONSTRUCTED ON ASPHALT PAVEMENT. WHEN THE CONCRETE BARRIER WALL IS ATTACHED TO CONCRETE PAVEMENT, THE CONTRACTION JOINTS WILL CORRESPOND TO THE JOINTS IN THE CONCRETE PAVEMENT. THE COST OF MATERIAL AND LABOR FOR THE JOINT INSTALLATION SHALL BE INCLUDED IN THE BID PRICE FOR CONCRETE BARRIER WALL.
 - (I) PAYMENT FOR ENTIRE CONCRETE HALF BARRIER WALL INCLUDING TRANSITION LENGTH WILL BE MADE UNDER ITEM NO. 711-01.07, CONCRETE HALF BARRIER WALL PER LINEAR FOOT.