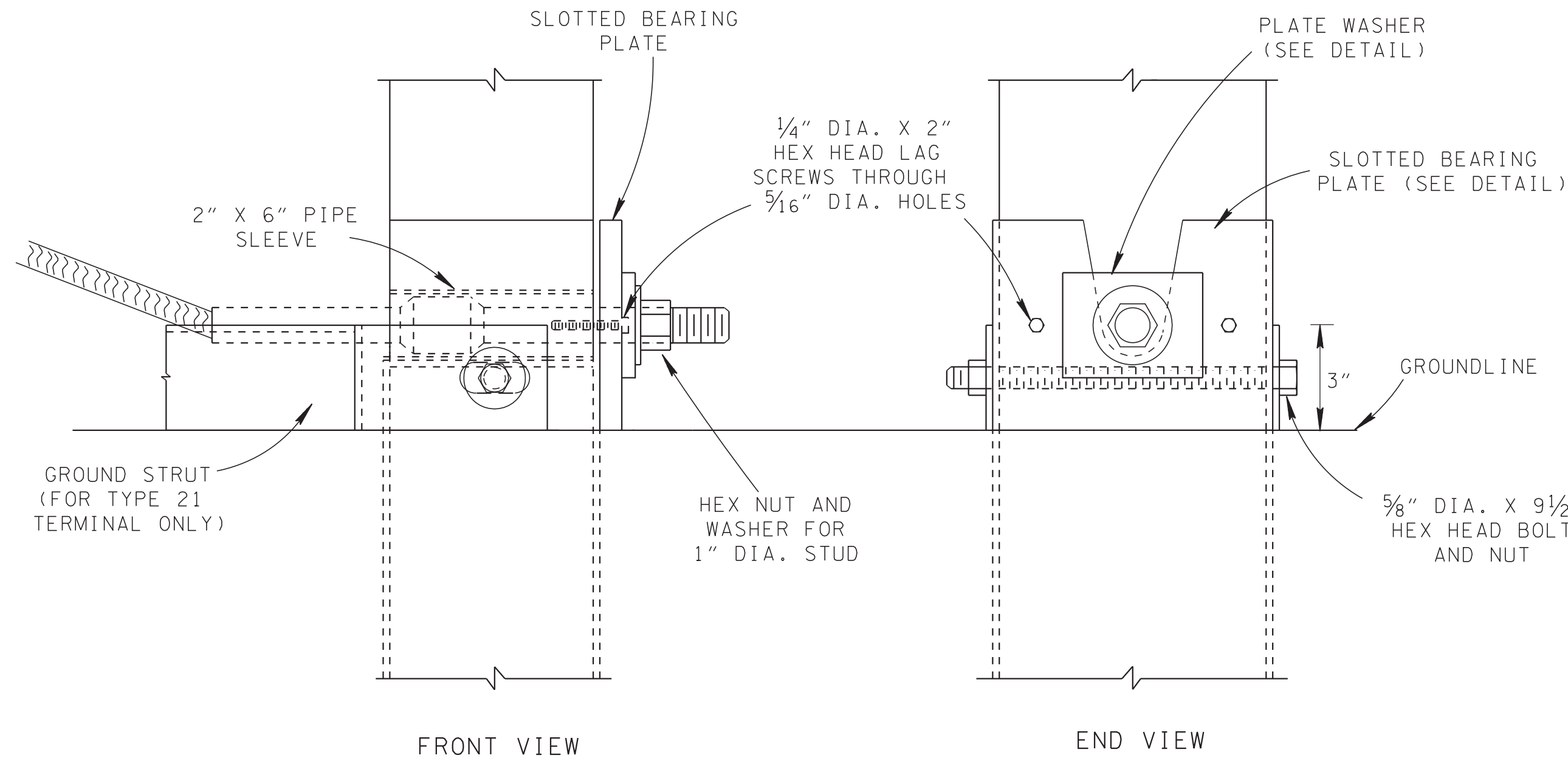


REV. 2-14-96: MADE MINOR LABELING AND NOTE CHANGES.

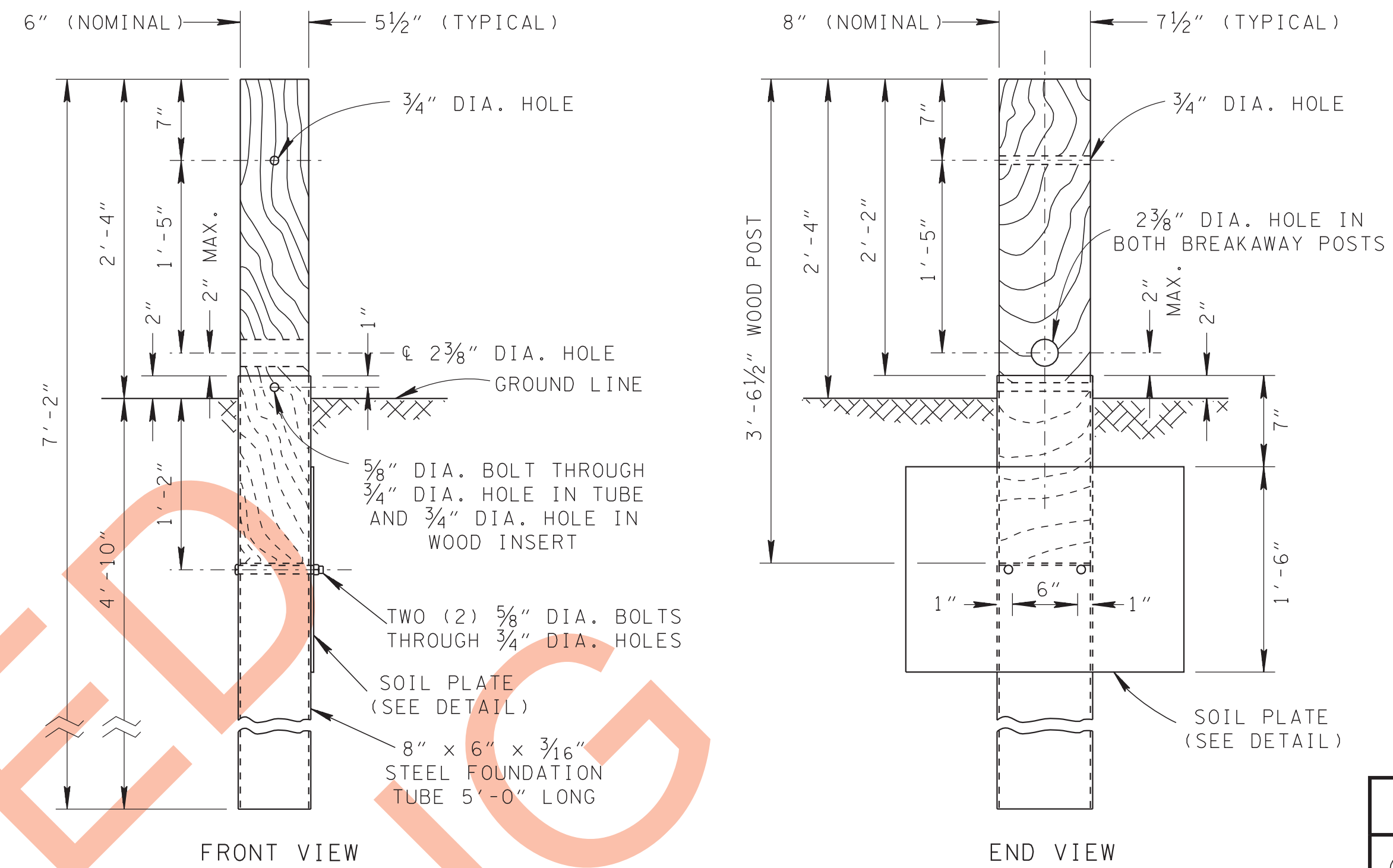
REV. 5-27-98: CHANGED REFERENCE FOR TYPE 20 TO TYPE 22 GUARDRAIL TERMINAL.

REV. 12-18-98: REMOVED EMBANKMENT DETAIL FOR GUARDRAIL TERMINALS, MODIFIED GENERAL NOTES (C) AND (G), RENAMED SHEET.

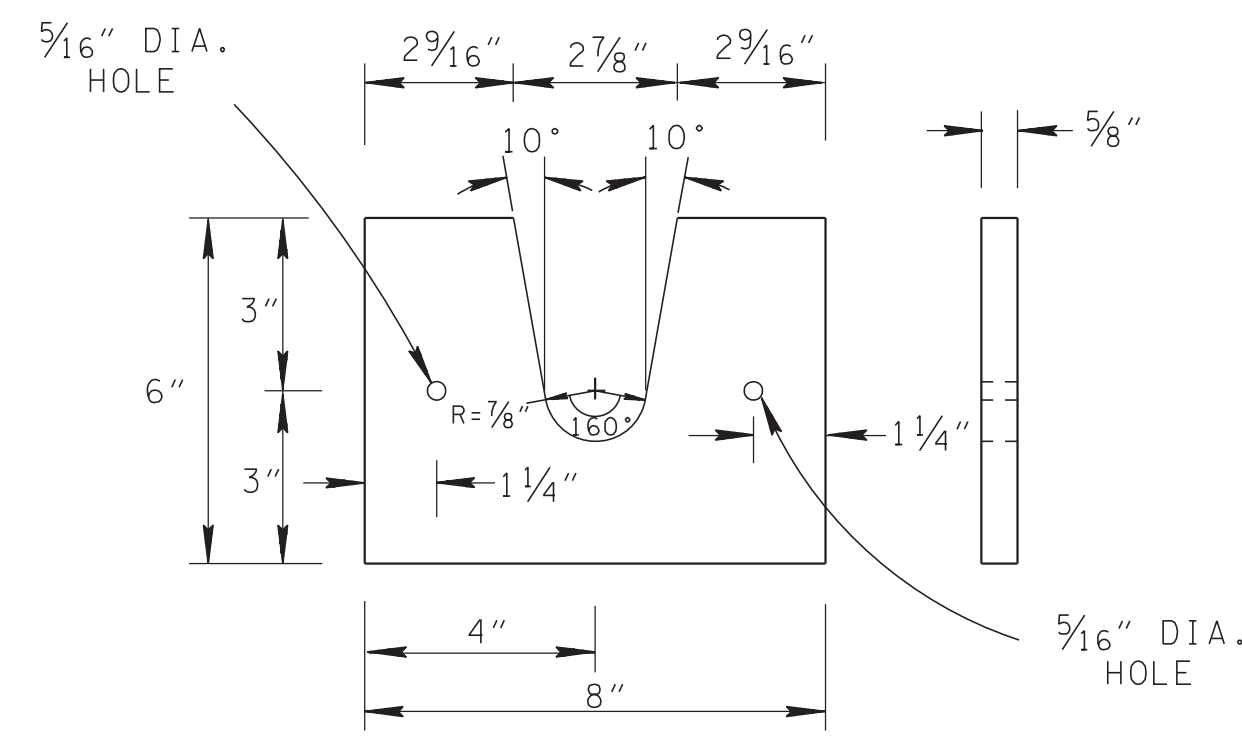
REV. 6-30-05: CORRECTED GROUND STRUT LABEL IN SLOTTED BEARING PLATE ASSEMBLY DETAIL.



SLOTTED BEARING PLATE ASSEMBLY DETAIL



NO. 1 & 2 BREAKAWAY POSTS WITH 5'-0" TUBE SLEEVE



SLOTTED BEARING PLATE DETAIL

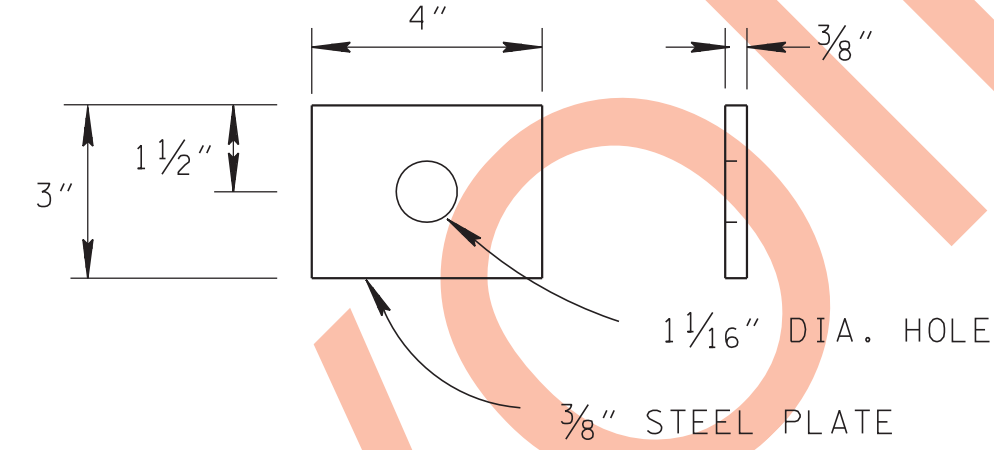
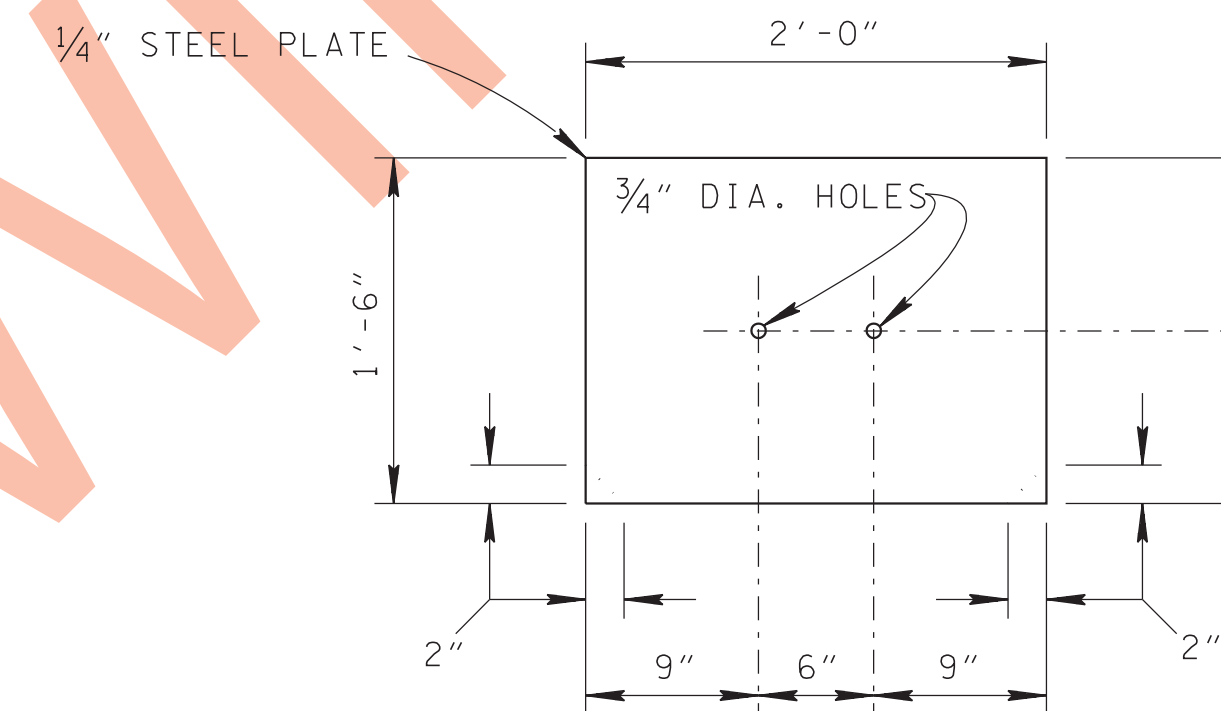


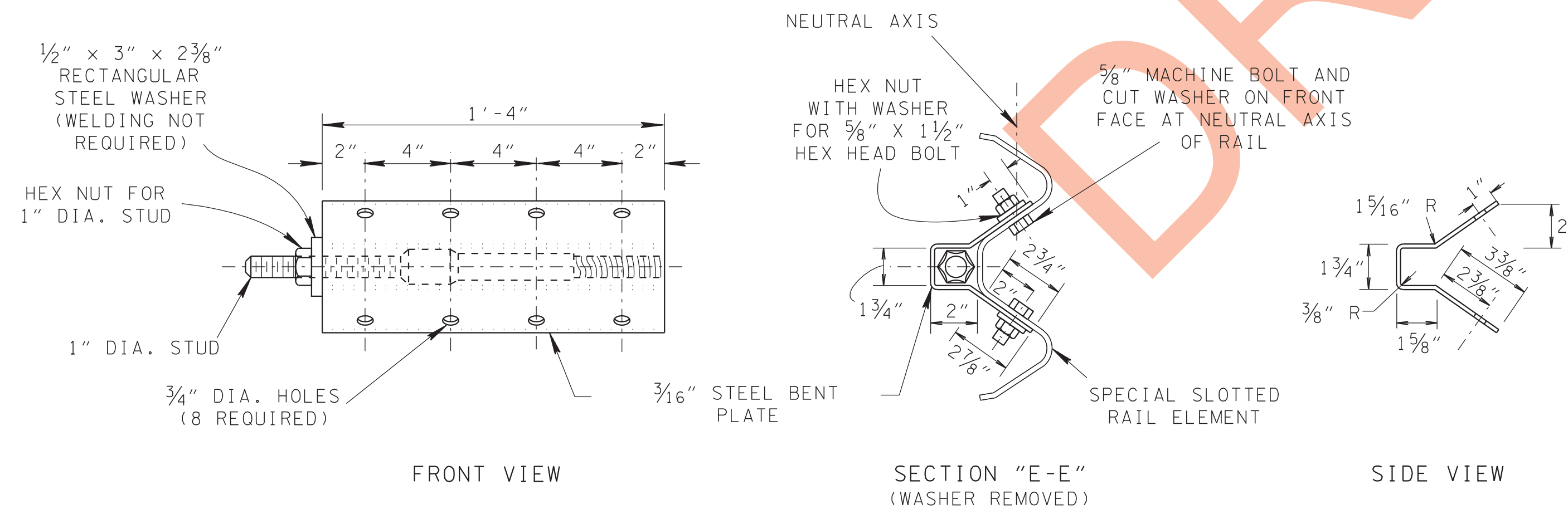
PLATE WASHER DETAIL



SOIL PLATE

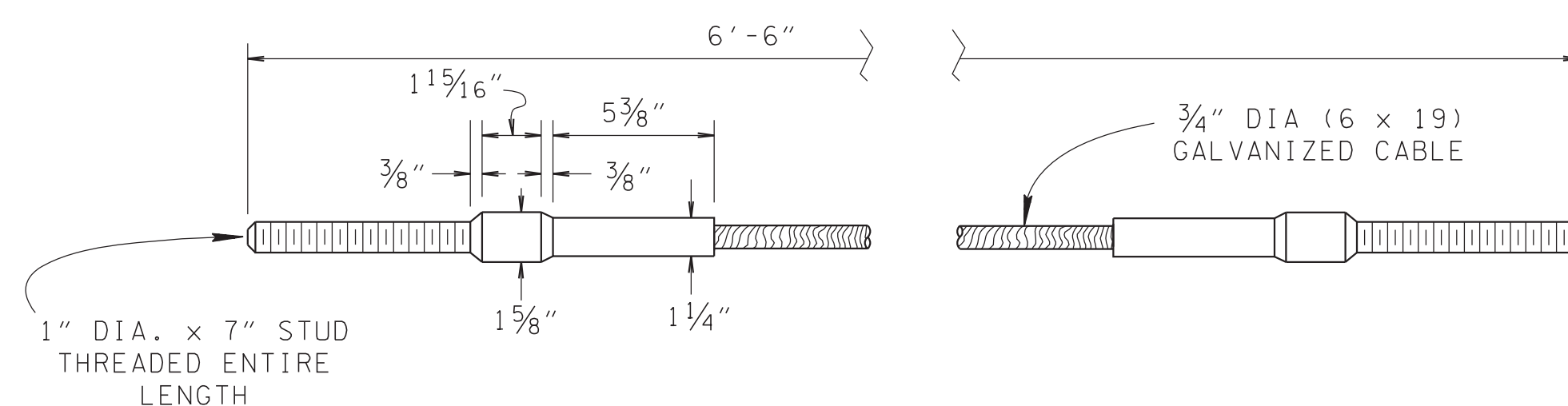
(TO BE ATTACHED TO BREAKAWAY POST NOS. 1 & 2 ON SIDE OPPOSITE TO END TERMINAL SECTION)

NOTE: THE CONTRACTOR HAS THE OPTION OF CLIPPING 2" X 2" TRIANGLES OFF BOTTOM CORNERS TO AID IN DRIVING.



ANCHOR PLATE ASSEMBLY DETAILS

SEE DRAWING NO. S-GR-26 FOR RELATION OF SECTION "E-E" TO FRONT ELEVATION VIEW OF GUARDRAIL ANCHORS



STANDARD SWAGE FITTING AND STUD

NOTE: CABLE TO BE SWAGE-CONNECTED

GENERAL NOTES

- (A) THE NO. 1 AND NO. 2 BREAKAWAY POSTS WILL HAVE A 6" X 8" (NOMINAL) CROSS-SECTION AREA AND WILL HAVE A 2 3/8" DIAMETER HOLE CENTERED 2'-0" BELOW THE TOP OF THE POST ON THE 8" SIDE AS SHOWN. ALL POSTS SHALL BE ERECTED SO THAT THE GUARDRAIL WILL HAVE A TOP-OF-RAIL HEIGHT OF 2'-3".
- (B) ALL HOLES IN WOOD POSTS ARE TO BE DRILLED BEFORE PRESERVATIVE TREATMENT.
- (C) ALL CUTTING, DRILLING, AND WELDING OF STEEL COMPONENTS SHALL BE DONE BEFORE GALVANIZING.
- (D) THE FINISHED CABLE ASSEMBLY WILL NOT BE ACCEPTABLE UNLESS IT IS IN TENSION WITH NO SAG.
- (E) OTHER ANCHOR CABLE ASSEMBLIES PROVIDING A MINIMUM BREAKING STRENGTH OF 40,000 POUNDS WILL BE ACCEPTABLE.
- (F) SEE STANDARD DRAWING NOS. S-GR-15, S-GR-24, S-GR-26, AND S-GR-27 FOR ADDITIONAL DETAILS AND GENERAL NOTES.
- (G) SEE STANDARD DRAWING NO. S-GR-39 FOR DETAILS TO CONSTRUCT EARTH PAD FOR THE TYPE 21 GUARDRAIL TERMINAL.

MINOR REVISION -- FHWA APPROVAL NOT REQUIRED.

STATE OF TENNESSEE DEPARTMENT OF TRANSPORTATION

GUARDRAIL TERMINAL ANCHOR (TYPE 21) POST AND ASSEMBLY DETAILS

7-29-95 S-GR-28