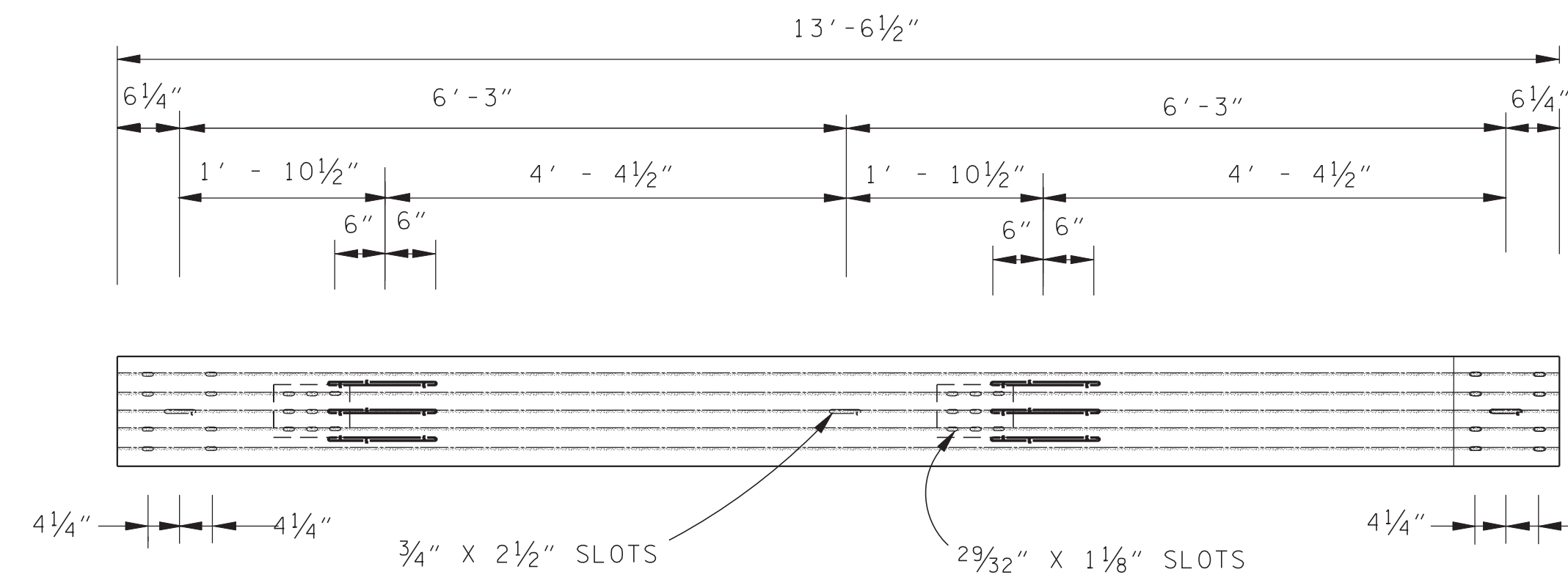
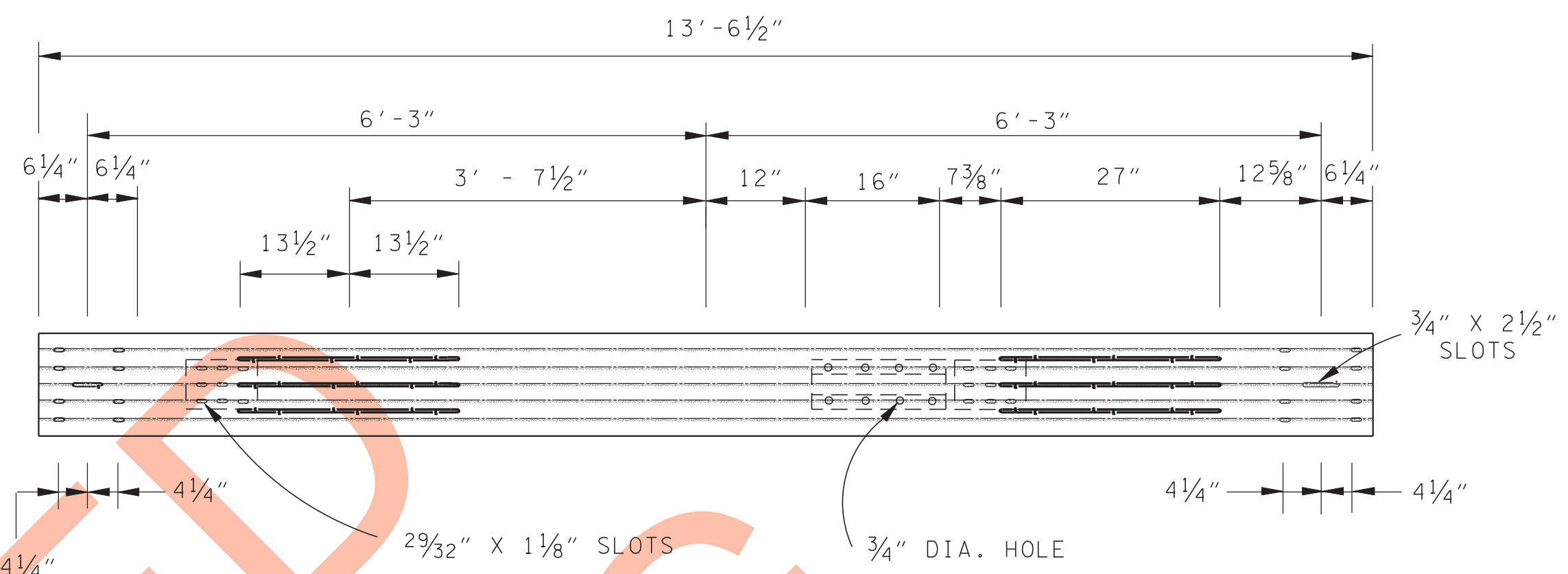


SLOTTED W-BEAM GUARDRAIL ELEMENT DETAILS

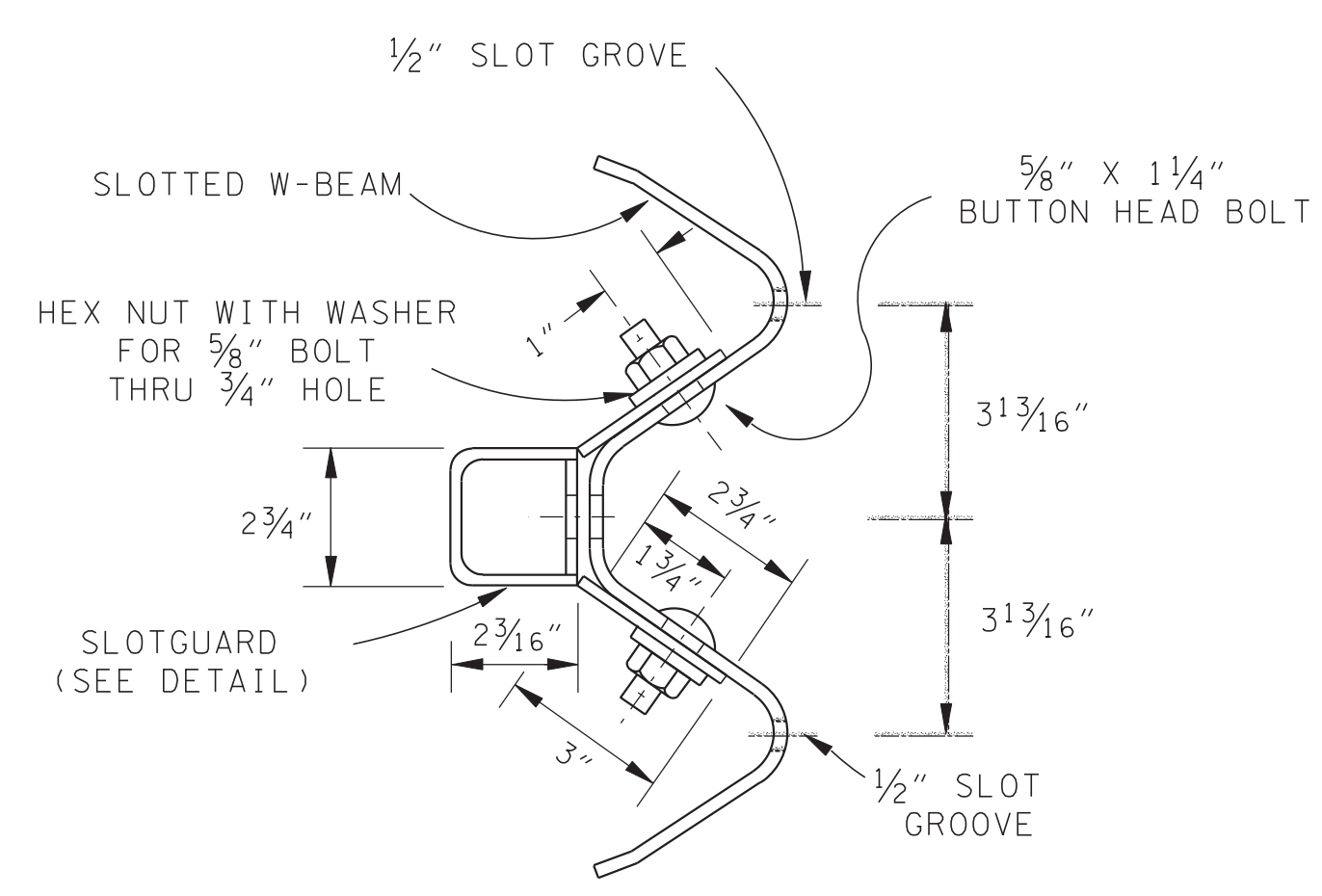
- REV. 2-14-96: ELIMINATED 26'-0 1/2" SECTION OF SLOTTED W-BEAM GUARDRAIL ELEMENT.
- REV. 5-27-98: REPLACED SHELF ANGLE DETAIL WITH BACK UP PLATE DETAIL. ADDED ADDITIONAL GUARDRAIL ELEMENT DETAIL.
- REV. 12-18-98: REMOVED GUARDRAIL AND GROUND STRUT DETAIL FOR GUARDRAIL TERMINAL ANCHOR - TYPE 22. CHANGED SHEET NAME.
- REV. 5-27-03: CORRECTED SPELLING IN SECTION "E-E".



SECOND SECTION OF GUARDRAIL
FOR TYPE 21 TERMINAL

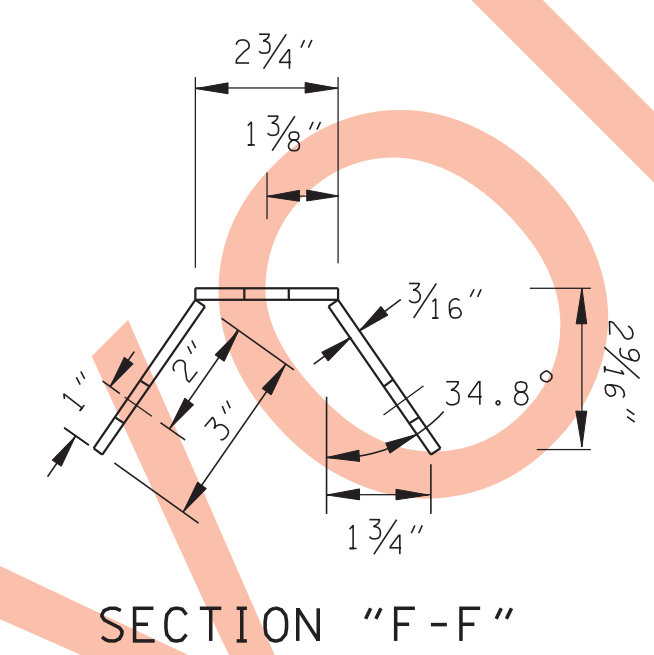


FIRST SECTION OF GUARDRAIL
FOR TYPE 21 TERMINALS

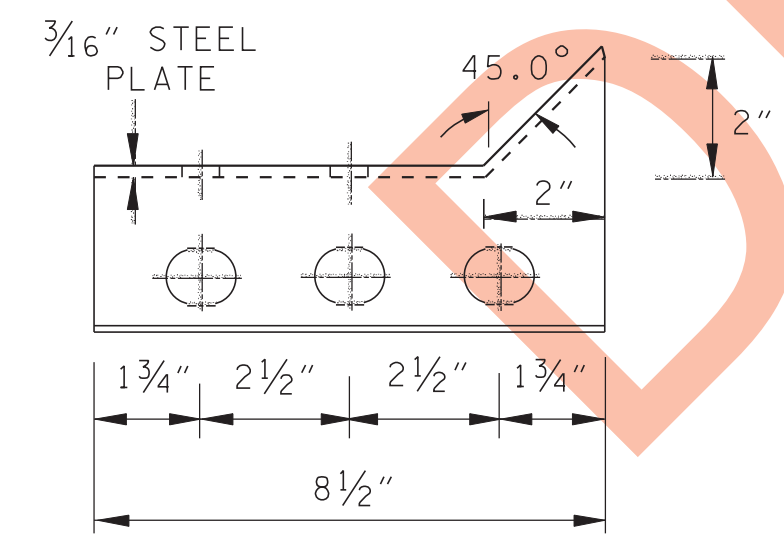


SECTION "E-E"
(SEE DRAWING NO. S-GR-26)

NOTE: 8 - 5/8" X 1 1/4" BUTTON HEAD BOLTS AND NUTS REQUIRED FOR EACH SLOTGUARD ASSEMBLY.



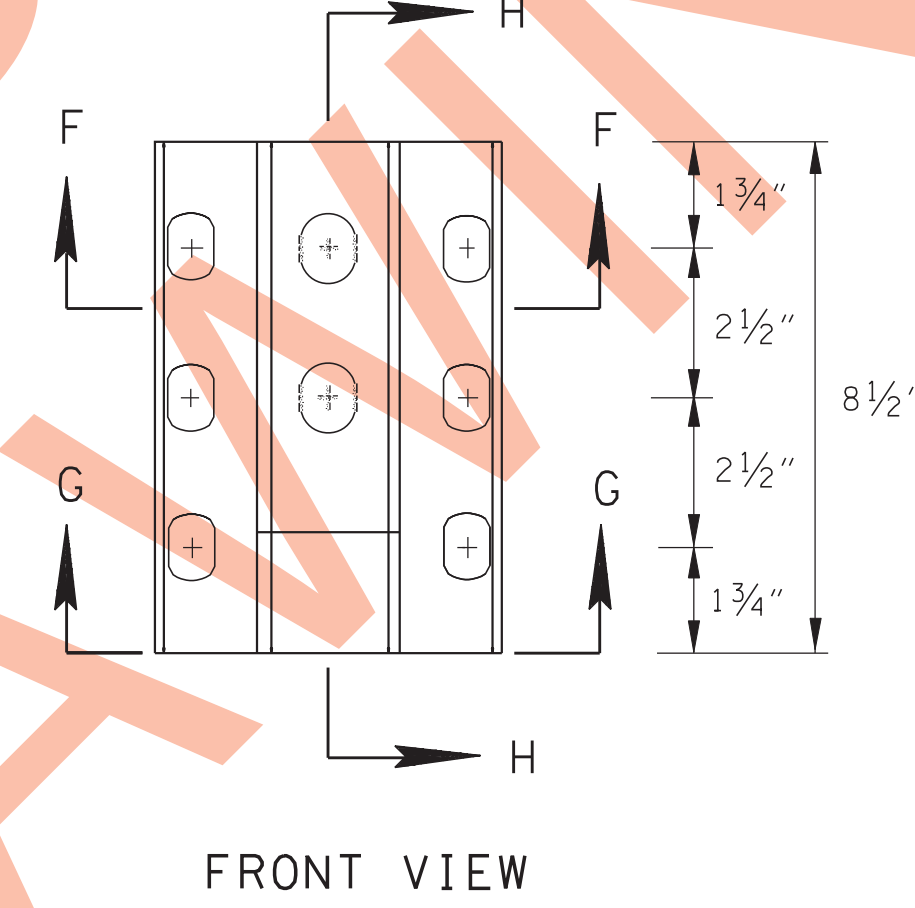
SECTION "F-F"



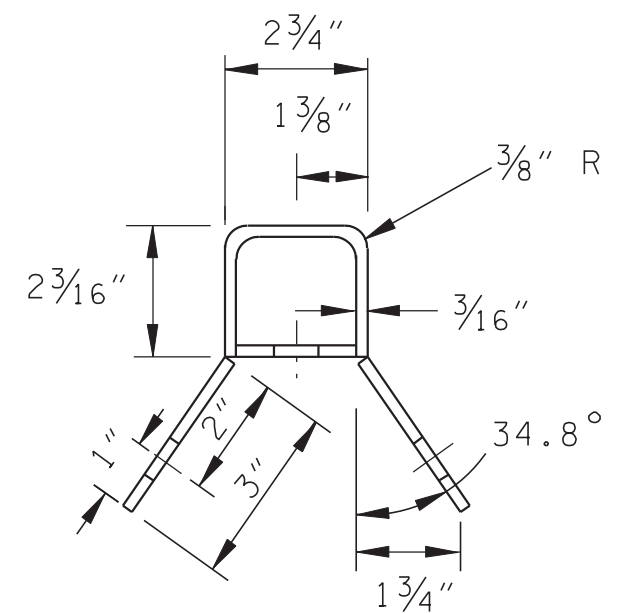
SECTION "H-H"

NOTE: ALL HOLES 2 9/32" X 1 1/8" DIAMETER

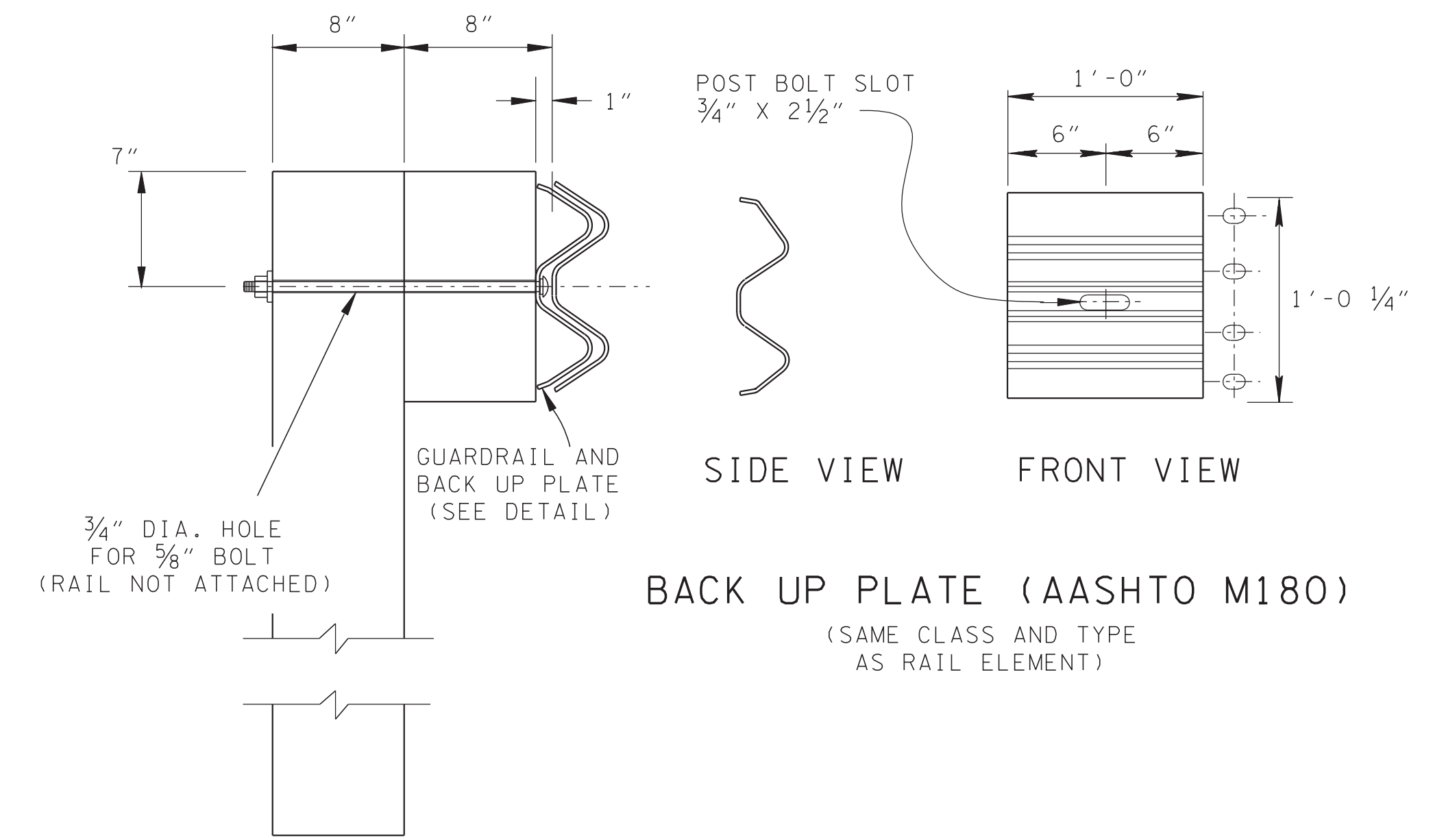
SLOTGUARD DETAIL



FRONT VIEW



SECTION "G-G"
SIDE VIEW



GUARDRAIL WITH BACK UP
PLATE DETAIL

BACK UP PLATE (AASHTO M180)
(SAME CLASS AND TYPE AS RAIL ELEMENT)

□ MINOR REVISION -- FHWA APPROVAL NOT REQUIRED.