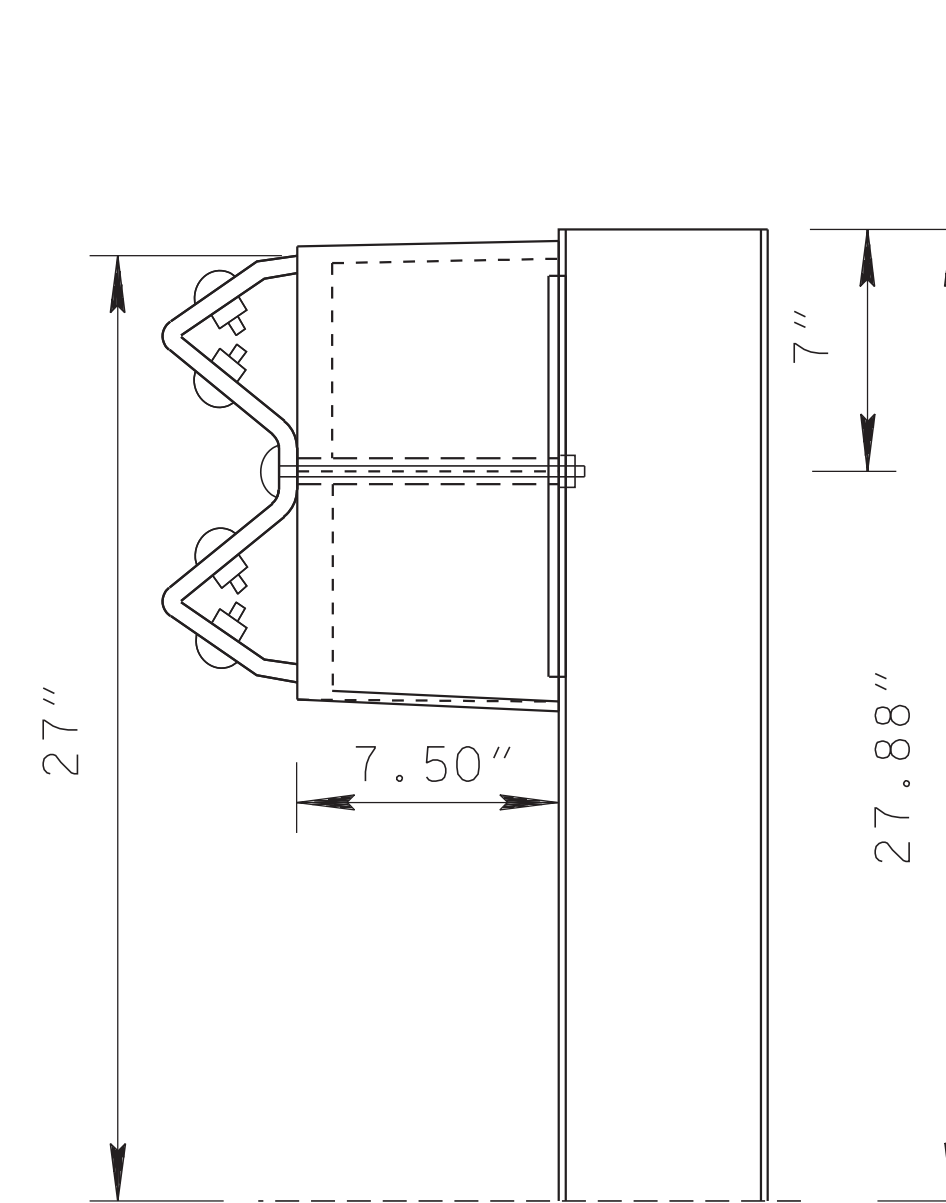
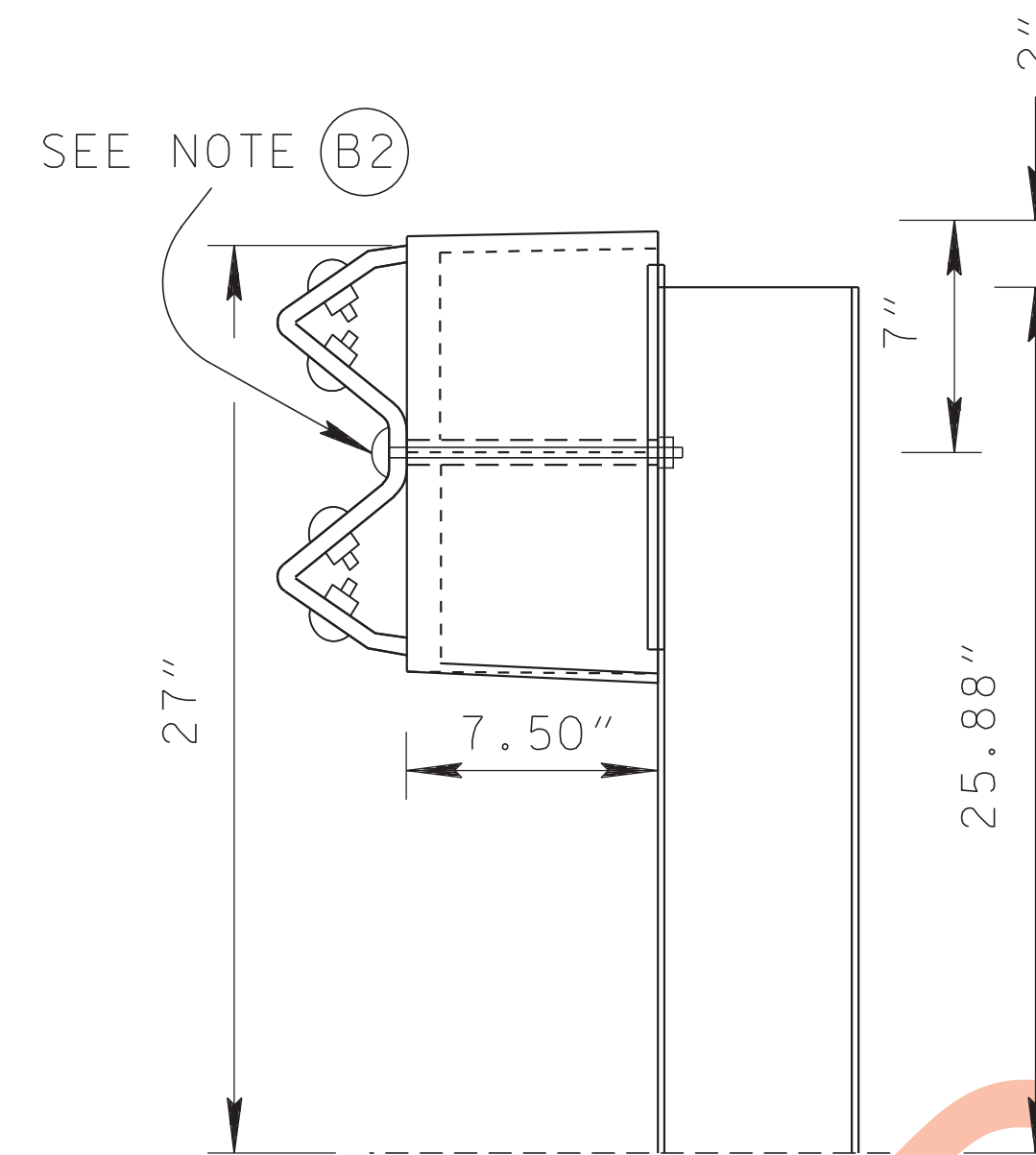


DETAILS SHOWING HOLES REQUIRED IN POSTS AND BLOCK-OUTS

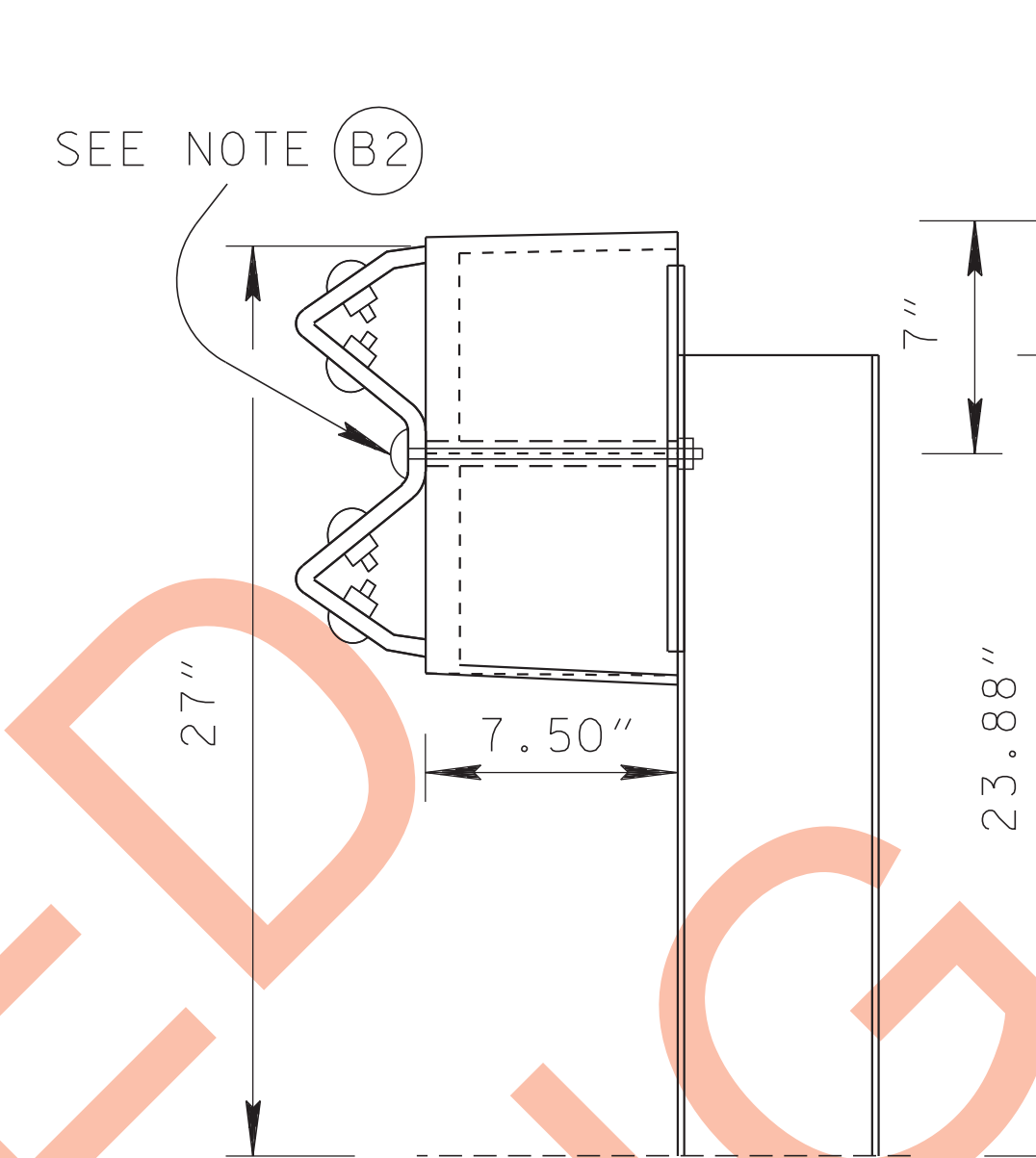
(FOR USE IN FUTURE RAIL ADJUSTMENT)



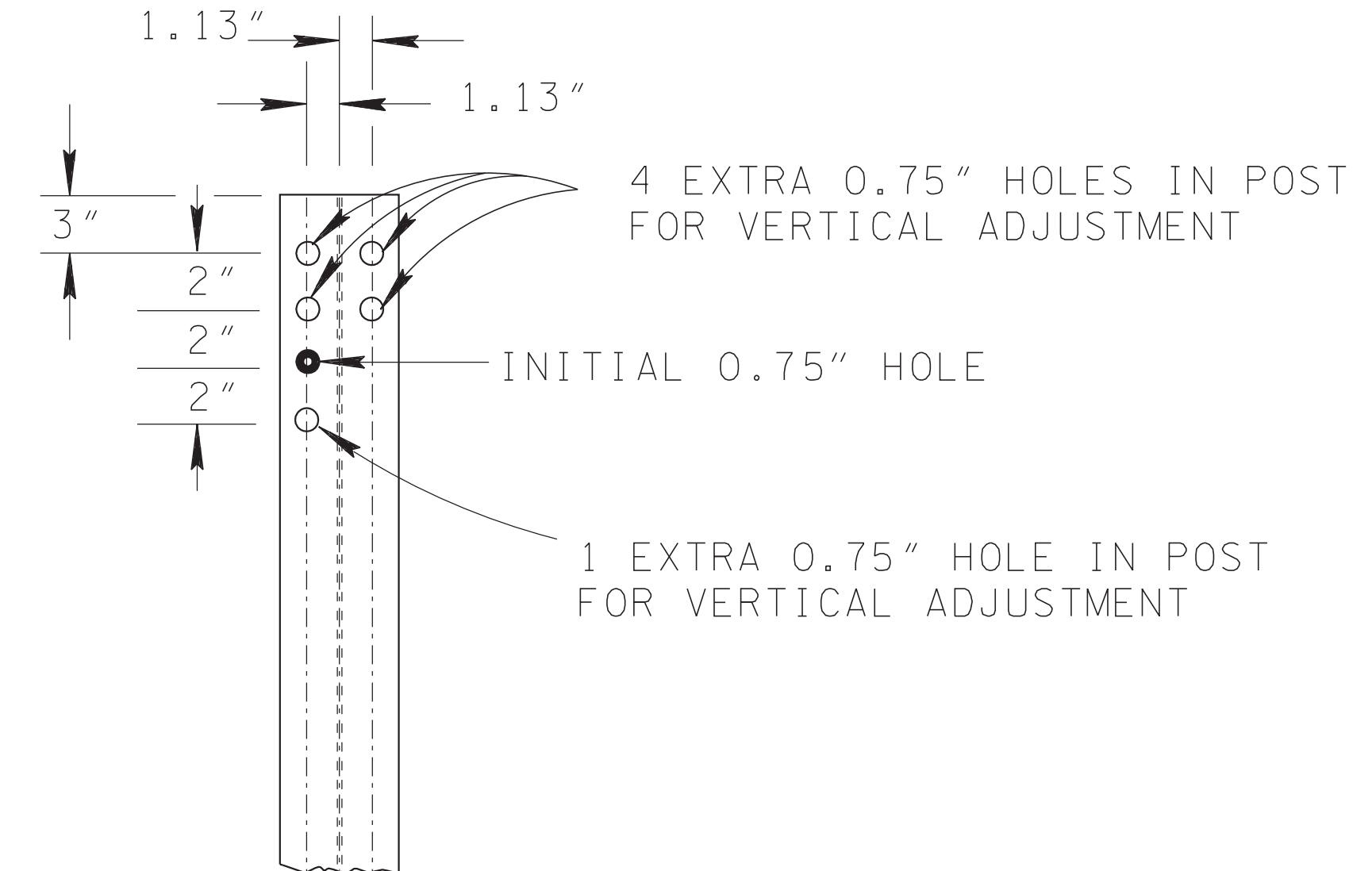
INITIAL INSTALLATION



FIRST ADJUSTMENT



SECOND ADJUSTMENT

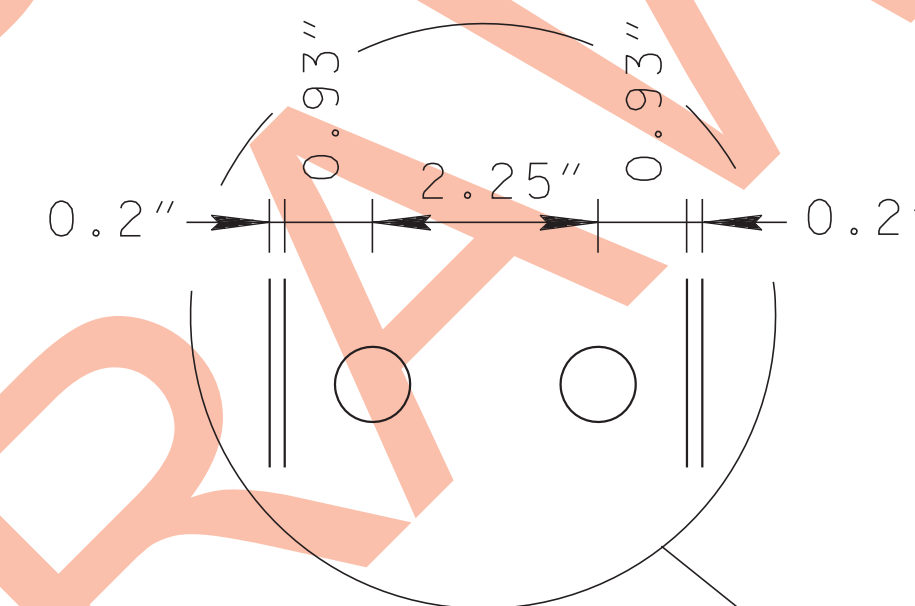


FRONT ELEVATION
STEEL POST

ADJUSTABLE STEEL POSTS AND BLOCK-OUTS AT VARIOUS ADJUSTMENTS

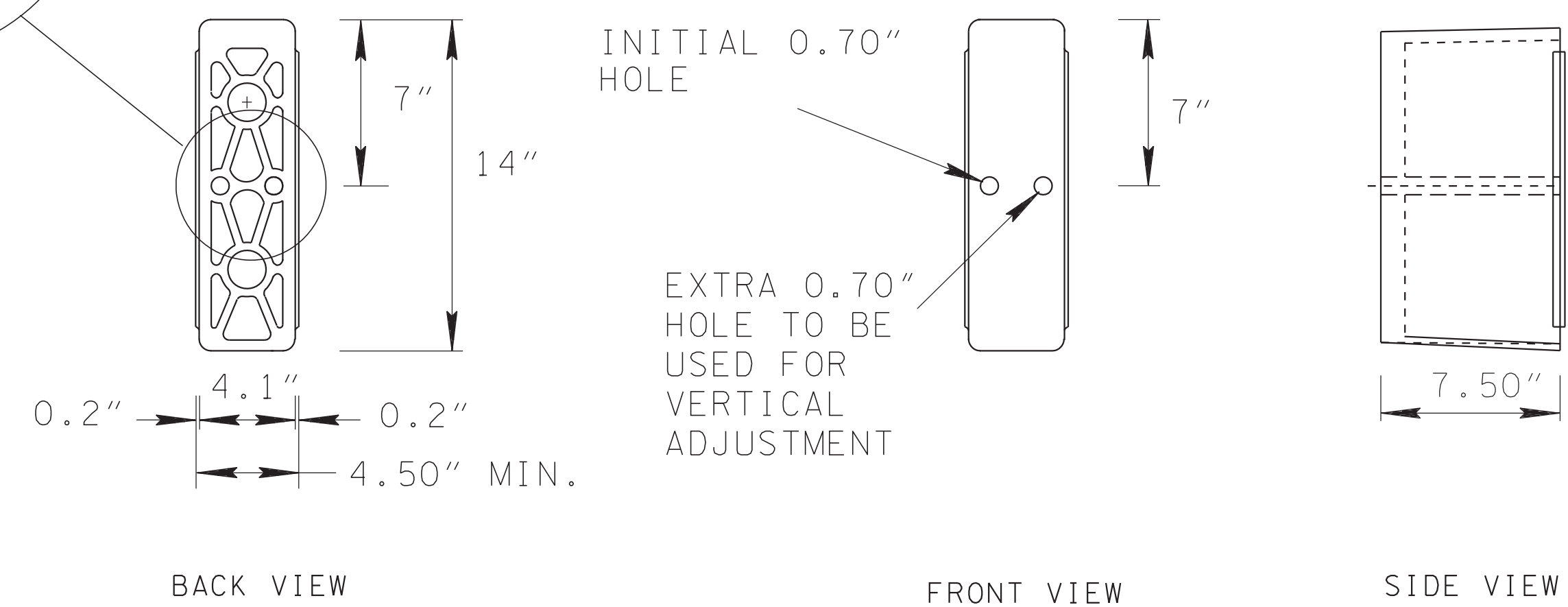
INSTALLATION NOTES FOR BLOCK-OUTS
WITH HORIZONTAL ADJUSTMENT HOLES

- (B1) THE INITIAL INSTALLATION WILL REQUIRE ONE 5/8" DIAMETER X 9 1/2" LONG BUTTON HEAD BOLT WITH ROUND STEEL WASHER.
- (B2) THE FIRST ADJUSTMENT AND THE SECOND ADJUSTMENT WILL REQUIRE TWO 5/8" DIAMETER X 9 1/2" LONG BUTTON HEAD BOLTS. EACH BOLT WILL REQUIRE ONE ROUND STEEL WASHER.



GENERAL NOTES

- (A) SEE STANDARD DRAWING S-GR-12 FOR ADDITIONAL POST DETAILS AND SPECIFICATIONS.
- (B) SEE STANDARD DRAWING S-GR-14 FOR ADDITIONAL BOLT, WASHER AND NUT DETAILS AND SPECIFICATIONS.
- (C) SEE STANDARD DRAWING S-GR-13 FOR BLOCK-OUTS WITH VERTICAL ADJUSTMENT HOLES AND MOUNTING DETAILS. THE METAL POST SHOWN ON THIS SHEET MAY BE USED WITH WOOD BLOCK-OUTS.
- (D) RECYCLED PLASTIC GUARDRAIL BLOCKOUTS LISTED ON THE TENNESSEE DEPARTMENT OF TRANSPORTATIONS QUALIFIED PRODUCTS LIST MAY BE SUBSTITUTED FOR WOOD BLOCKOUTS. THE USE OF RECYCLED PLASTIC GUARDRAIL BLOCKOUTS ARE SUBJECT TO THE FOLLOWING STIPULATIONS:
 - (1) THE MIXING OF BLOCKOUTS ON A GIVEN PROJECT WILL BE AVOIDED IF POSSIBLE.
 - (2) SHOULD IT BECOME NECESSARY TO CHANGE THE BLOCKOUT TYPE ON A GIVEN PROJECT, THE BLOCKOUTS SHOULD NOT BE MIXED ON A GIVEN RUN OF GUARDRAIL.
 - (3) BLOCKOUTS SHALL MEET NCHRP-350 GUIDELINES.



BACK VIEW

FRONT VIEW

SIDE VIEW

PLASTIC BLOCK-OUT DETAIL FOR STEEL POST

MINOR REVISION -- FHWA
APPROVAL NOT REQUIRED.

STATE OF TENNESSEE
DEPARTMENT OF TRANSPORTATION

BARRIER RAIL MOUNTING
POST FOR PLASTIC
BLOCK-OUTS
WITH HORIZONTAL
ADJUSTMENT HOLES

5-27-03 S-GR-13A