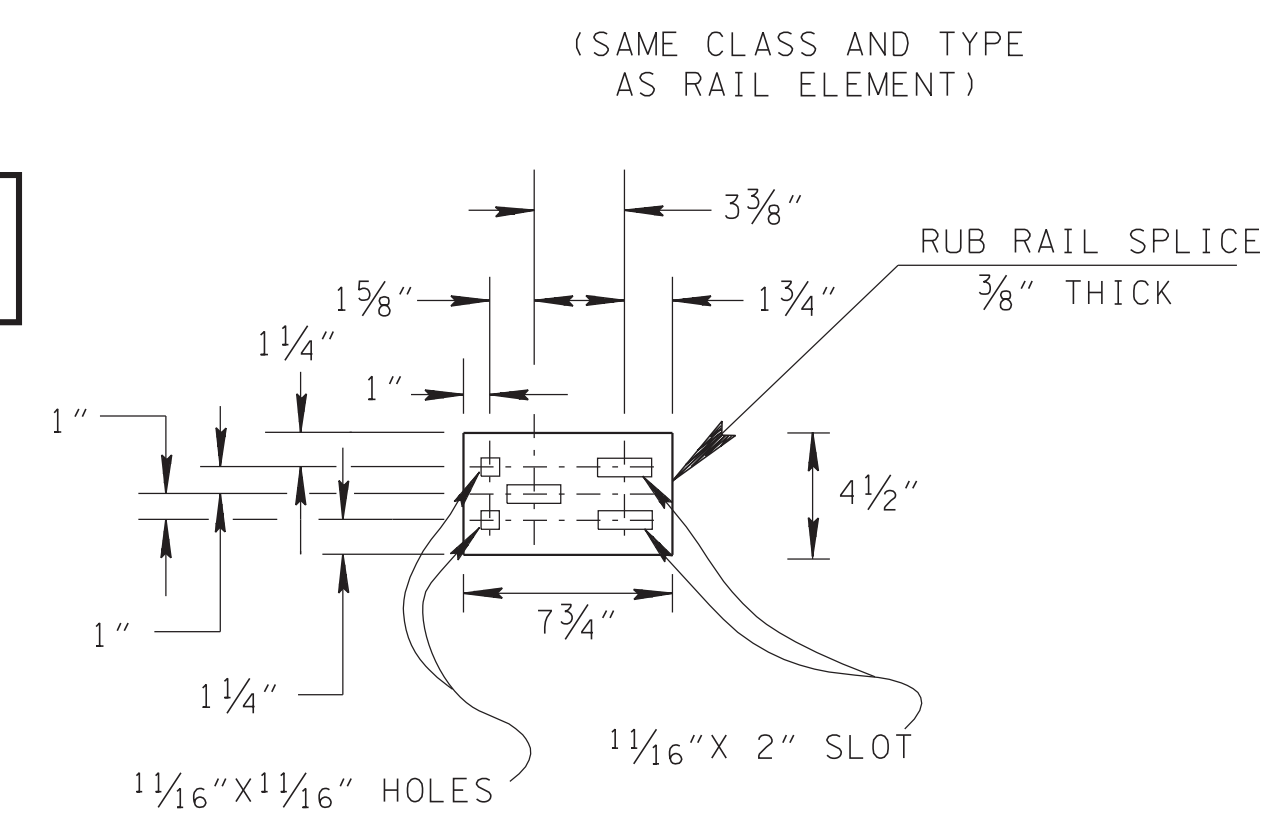
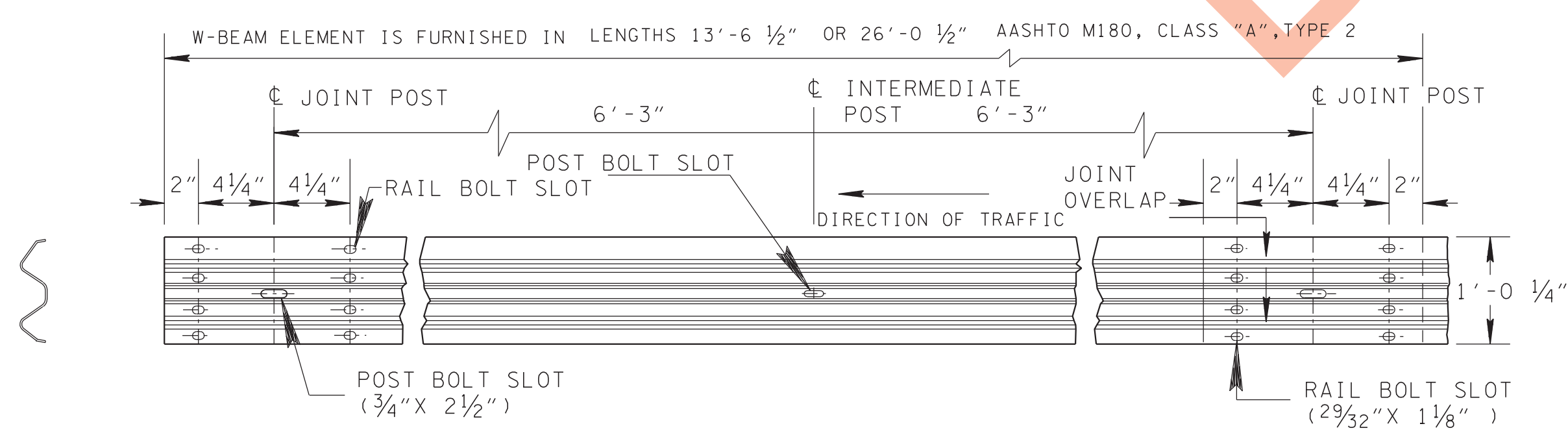
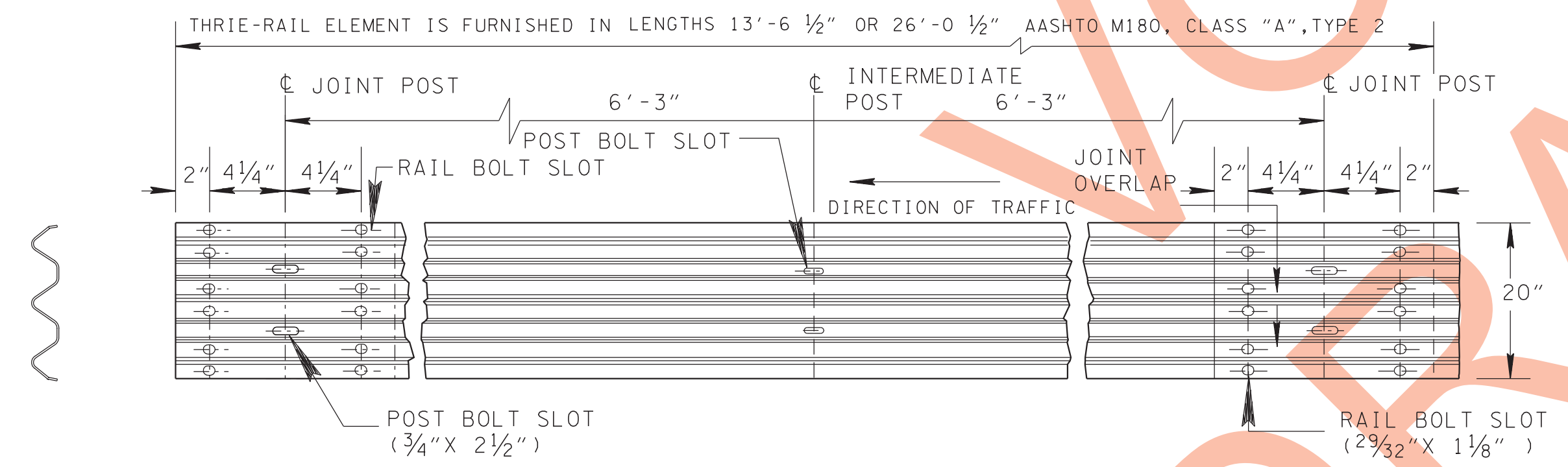
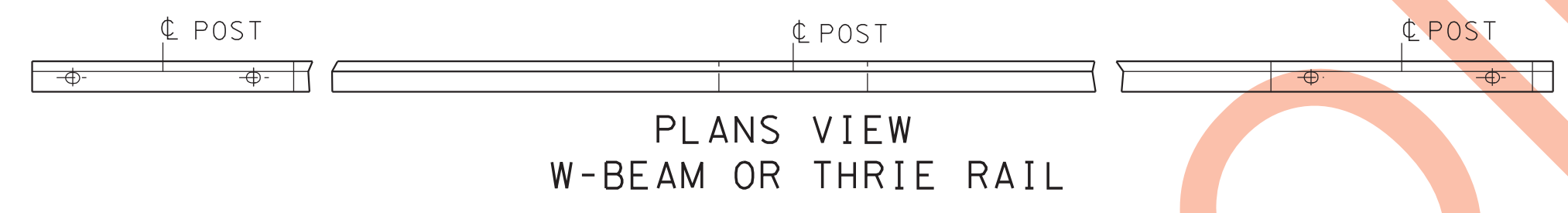
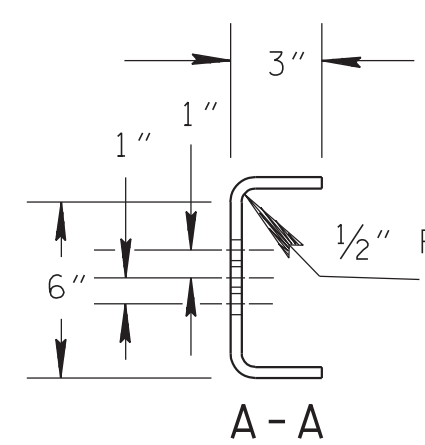
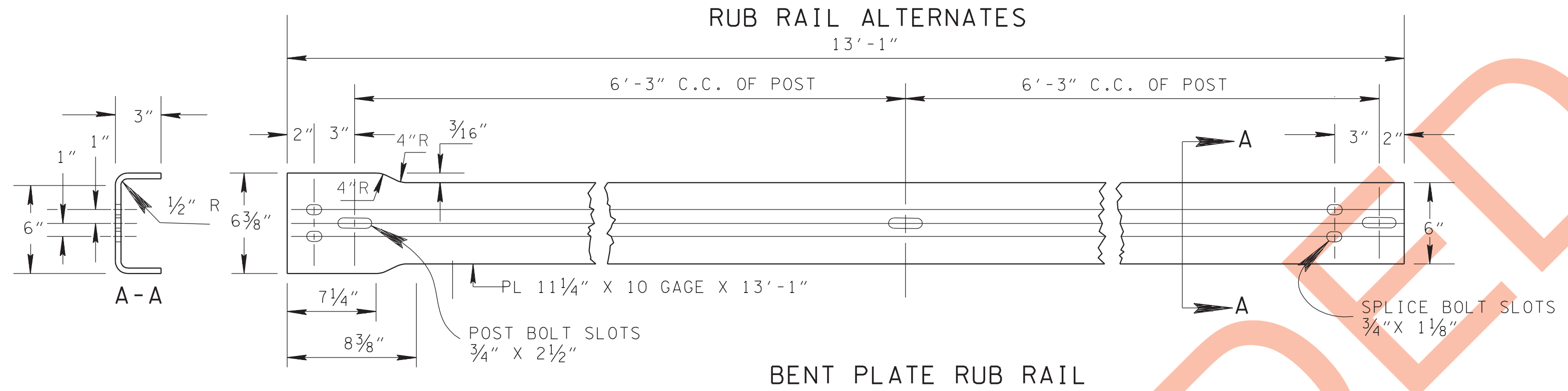


NOTE: HOLES IN RUB-RAIL SAME AS IN SPLICE PLATE



NOTE: HOLES IN RUB-RAIL SAME AS IN SPLICE PLATE



GENERAL NOTES		
(A)	CORRUGATED SHEET STEEL BEAMS SHALL CONFORM TO THE CURRENT REQUIREMENTS OF AASHTO M180, CLASS A, TYPE 2. RAIL MATERIAL SHALL HAVE A MINIMUM YIELD STRENGTH OF 50 KIPS PER SQUARE INCH AND A TENSILE STRENGTH OF 70 KIPS PER SQUARE INCH.	
(B)	RUB RAILS AND RUB RAIL SPLICE PLATES SHALL CONFORM TO ASTM A36 AND SHALL BE GALVANIZED IN ACCORDANCE WITH ASTM A123.	
(C)	WHERE GUARDRAIL IS TO BE PLACED ON A CURVE WITH A RADIUS LESS THAN 150 FEET, THE RAIL SECTION SHALL BE SHOP-FORMED TO THE REQUIRED RADIUS.	
(D)	SEE THE "RD01-TS" STANDARD SERIES FOR GUARDRAIL PLACEMENT.	
(E)	ITEM NUMBERS FOR PAYMENT AS DETAILED ON THESE "S-GR" SERIES OF DRAWINGS ARE AS FOLLOWS:	
ITEM NO.	DESCRIPTION	ON DWG NO.
705-01.01	GUARDRAIL AT BRIDGE ENDS	S-GR-17 & S-GR-23
705-01.04	METAL BEAM GUARD FENCE	S-GR-22 & STD-15-6
705-02.01	SINGLE GUARDRAIL WITH RUB-RAIL (TYPE 2)	S-GR-13 & S-GR-18
705-02.02	SINGLE GUARDRAIL (TYPE 2)	S-GR-13 & S-GR-18
705-03.01	MEDIAN DIVIDER GUARDRAIL W/RUB-RAIL (TYPE 2)	S-GR-13 & S-GR-18
705-03.02	MEDIAN DIVIDER GUARDRAIL (TYPE 2)	S-GR-13 & S-GR-18
705-03.03	MEDIAN DIVIDER GUARDRAIL (TYPE 2) (27" MT. HT.)	S-GR-13 & S-GR-18
705-03.04	MEDIAN DIVIDER GUARDRAIL AT CONCRETE BARRIER	S-GR-20
705-04.02	GUARDRAIL TERMINAL (TYPE 12)	S-GR-19 & S-GR-19B
705-04.03	GUARDRAIL TERMINAL (TYPE 13)	S-GR-19 & S-GR-19C
705-04.04	GUARDRAIL TERMINAL (TYPE 21)	S-GR-26
705-04.05	GUARDRAIL TERMINAL (TYPE IN-LINE)	S-GR-18
705-04.07	TANGENT ENERGY ABSORBING TERMINAL (NCHRP 350 - TL3)	S-GR-43, S-GR-44
(F)	TYPE 1: 3'-1 1/2" SPACING TYPE 2: 6'-3" SPACING	

- REV. 9-15-82: CHANGED S-GR-1 TO S-GR-11 AND REDRAWN.
- REV. 7-1-84: ADDED ITEM 705-03.11. DELETED M-42-151 AS REFERENCE DWG. ADDED DIMENSION TO W-BEAM RAIL DETAIL.
- REV. 9-1-86: CHANGED ITEM DESCRIPTIONS AND ADDED NOTE 7.
- REV. 9-5-87: CHANGED ITEM NOS. 705-01.01, 705-01.02 AND 705-01.03 TO 705-01.04, 705-01.05 AND 705-01.06. DELETED ITEM NO. 705-02.05.
- REV. 11-4-87: ADDED ITEM NOS. 705-01.07 AND 705-06. CORRECTED REFERENCE FOR 705-01.04.
- REV. 3-6-90: ADDED RUB RAIL ALTERNATES. ADDED ITEM NOS. 705-04.08 AND 705-06.01. DELETED ITEM NOS. 705-01.07 AND 705-06.
- REV. 10-26-91: REDREW AND REORGANIZED SHEET. UPDATED DRAWING TO 1991 STANDARDS.
- REV. 10-26-94: IN GENERAL NOTES (F) CHANGED DRAWING NUMBER.
- REV. 1-19-95: IN GENERAL NOTE (F) CHANGED DRAWING NUMBER.
- REV. 7-29-95: IN GENERAL NOTE (F) ADDED ITEM NOS. 705-04.20 AND 705-04.21.
- REV. 5-27-96: IN GENERAL NOTE (F) ADDED ITEM NO. 705-04.06.
- REV. 6-10-96: ADDED DIMENSION FOR WIDTH TO RUB RAIL SPLICE DETAIL.
- REV. 7-29-98: MODIFIED GENERAL NOTE (F).
- REV. 9-5-98: MODIFIED GENERAL NOTE (F).
- REV. 10-26-99: DELETED BACK UP PLATE DETAILS.
- REV. 9-5-00: IN GENERAL NOTES CORRECTED NOTE (E).
- REV. 5-27-01: IN GENERAL NOTE (F) CHANGED ITEM NUMBERS OF GUARDRAIL TO CONCUR WITH NEW PAY ITEM SYSTEM.
- REV. 9-5-01: CORRECTED DESCRIPTION FOR ITEM NO. 705-04.07.
- REV. 9-11-02: DELETED ITEM NO. 705-01.02.
- REV. 9-5-03: CHANGED GENERAL NOTE (A). DELETED GENERAL NOTE (B). RENUMBERED REMAINING GENERAL NOTES.
- REV. 2-22-05: CHANGED GENERAL NOTES (D), (E), AND (F).
- REV. 6-30-05: MODIFIED GENERAL NOTE (A).
- REV. 11-26-07: REVISED STD. DWG. NUMBERS.

MINOR REVISION -- FHWA APPROVAL NOT REQUIRED.