

REV. 11-1-69: REDREW SHEET.

REV. 7-1-72: CHANGED DEPARTMENT NAME.

REV. 11-10-72: CHANGED NOTE REGARDING JOINTS IN CURBS AND GUTTERS.

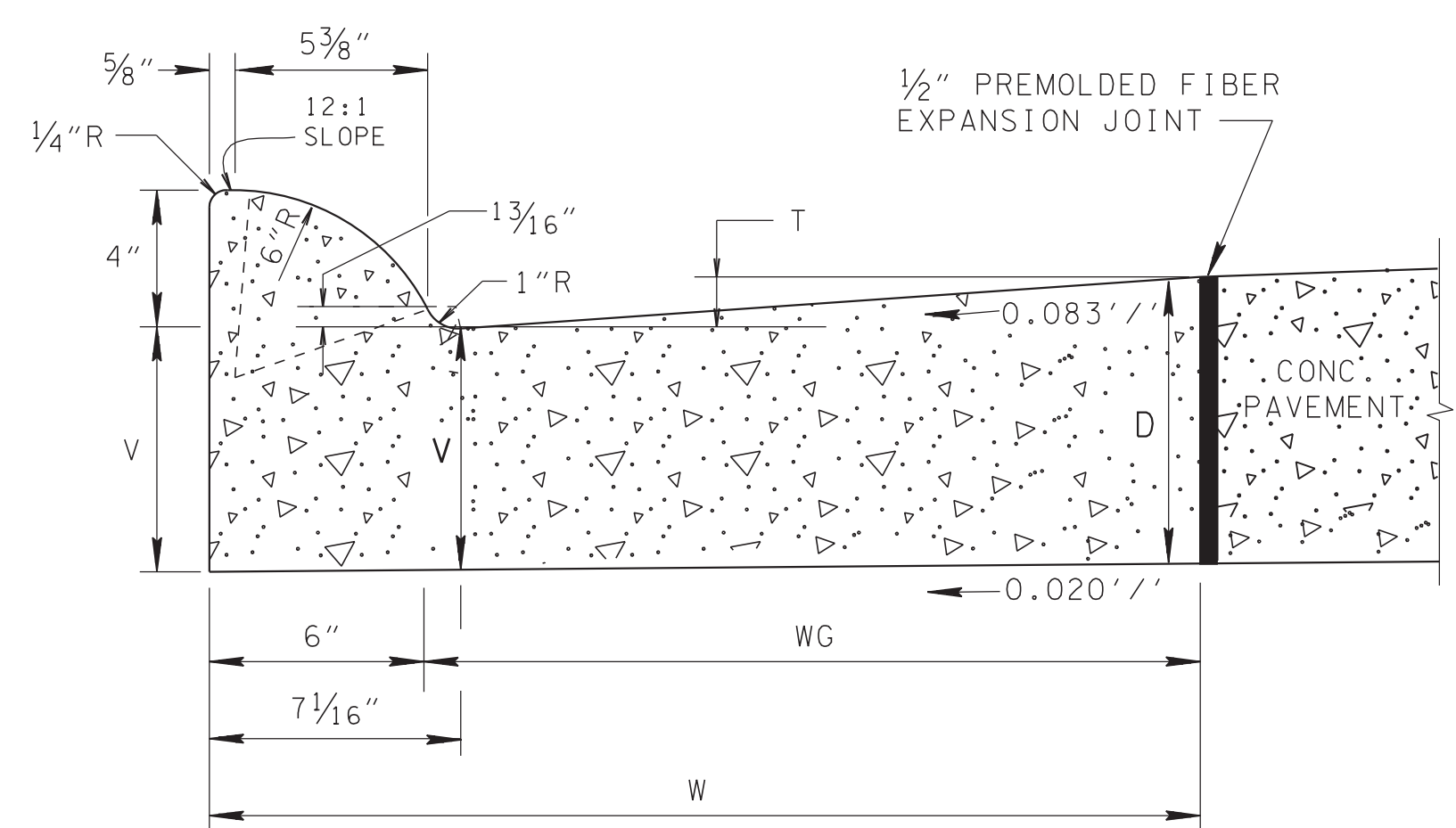
REV. 1-1-76: CHANGED DRAWING NO. FROM P-C-15(68) TO RP-C-15.

REV. 7-17-81: CHANGED ITEM NUMBER TO AGREE WITH NEW SPECIFICATION BOOK.

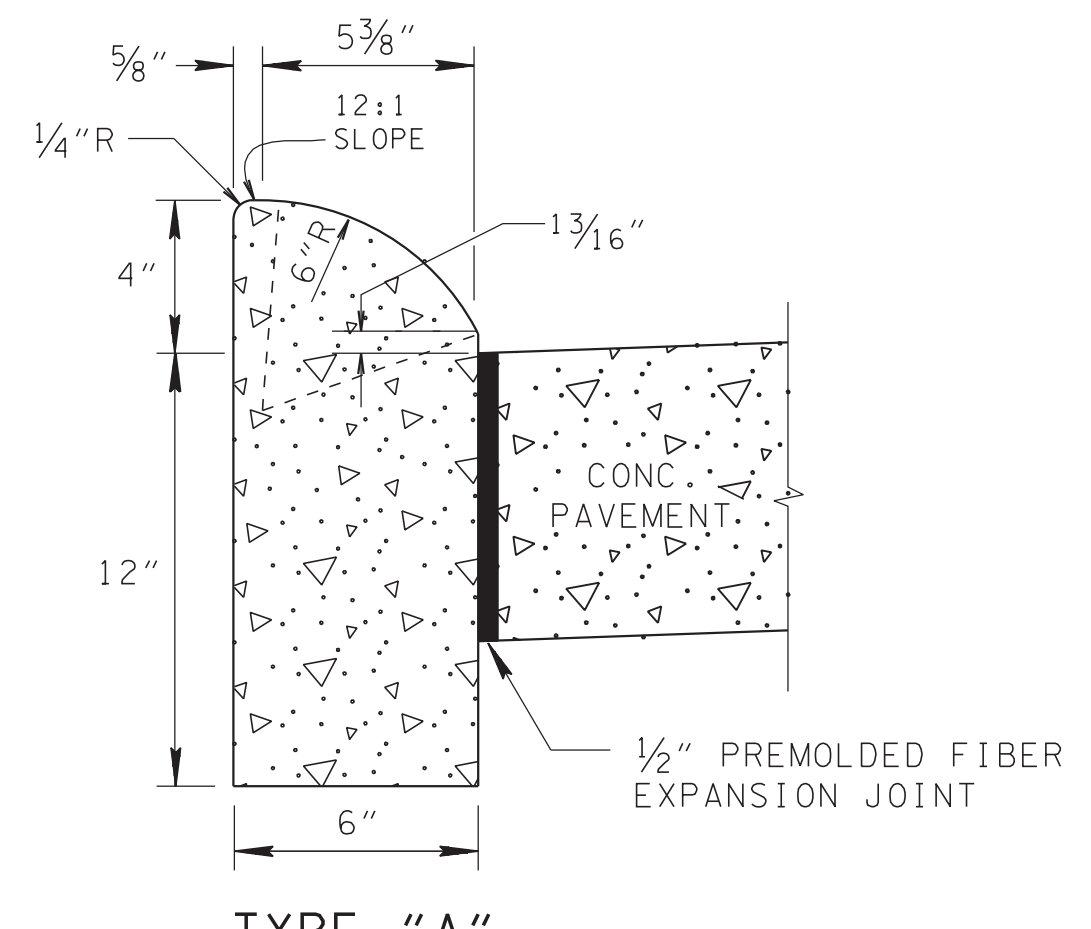
REV. 10-26-91: DREW NEW SHEET INCLUDING INFORMATION PREVIOUSLY ON DRAWING NO. RP-C-15 REGARDING FOUR-INCH MOUNTABLE DETACHED CONCRETE CURBS AND FOUR-INCH MOUNTABLE CONCRETE COMBINED CURB AND GUTTER.

REV. 10-26-93: CHANGED BOTTOM SLOPE OF 4" COMBINED CURB AND GUTTER FROM 0.083'/' TO 0.020'/' UNDER QUANTITIES FOR COMBINED CURB AND GUTTER BLOCK CHANGED ALL QUANTITIES. CHANGED SIZE AND SPACING OF EXPANSION JOINT. ADDED GENERAL NOTE FOR CONTRACTION JOINT.

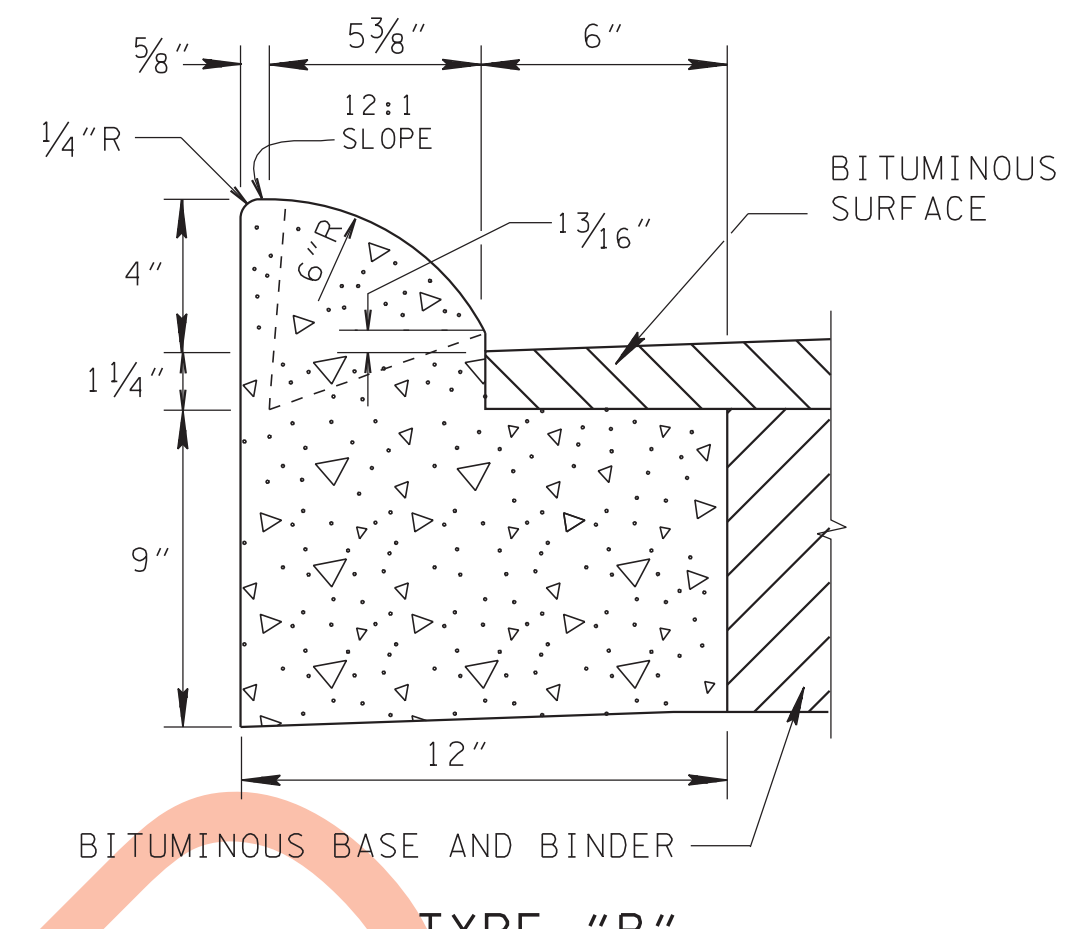
REV. 2-28-02: CHANGED SHEET NAME. CHANGED REFERENCE TO CURB FROM MOUNTABLE TO SLOPING.



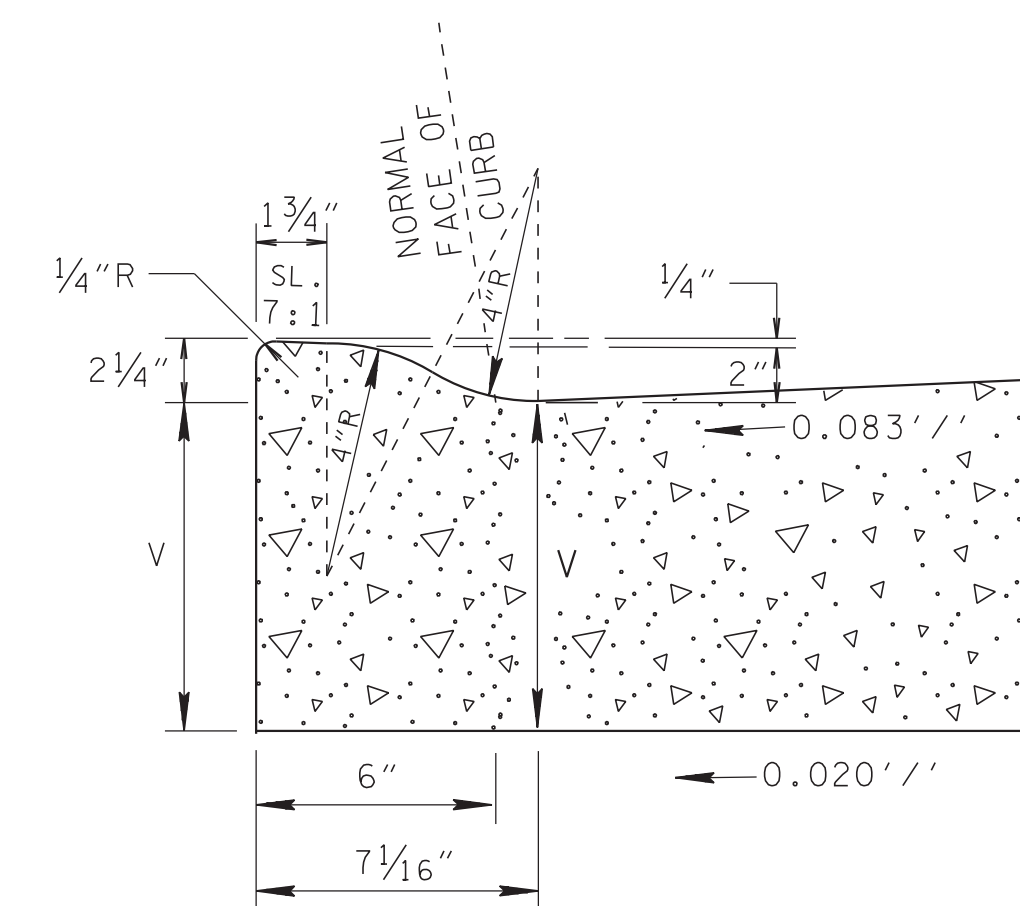
4" SLOPING CONCRETE COMBINED CURB AND GUTTER



4" SLOPING DETACHED CONCRETE CURBS



TYPE "B"



LOWERED CONCRETE CURB

TYPE	TOTAL WIDTH (W) IN INCHES	WIDTH OF GUTTER (WG) IN INCHES	VERTICAL DROP (T) IN INCHES	VERTICAL DEPTH (D) OF GUTTER	VERTICAL DEPTH (V) OF GUTTER AT FLOW LINE
4-30	30	24	2	AS NOTED ON TYPICAL X-SECTIONS	D - 1.52"
4-36	36	30	2 1/2		D - 1.90"
4-42	42	36	3		D - 2.28"

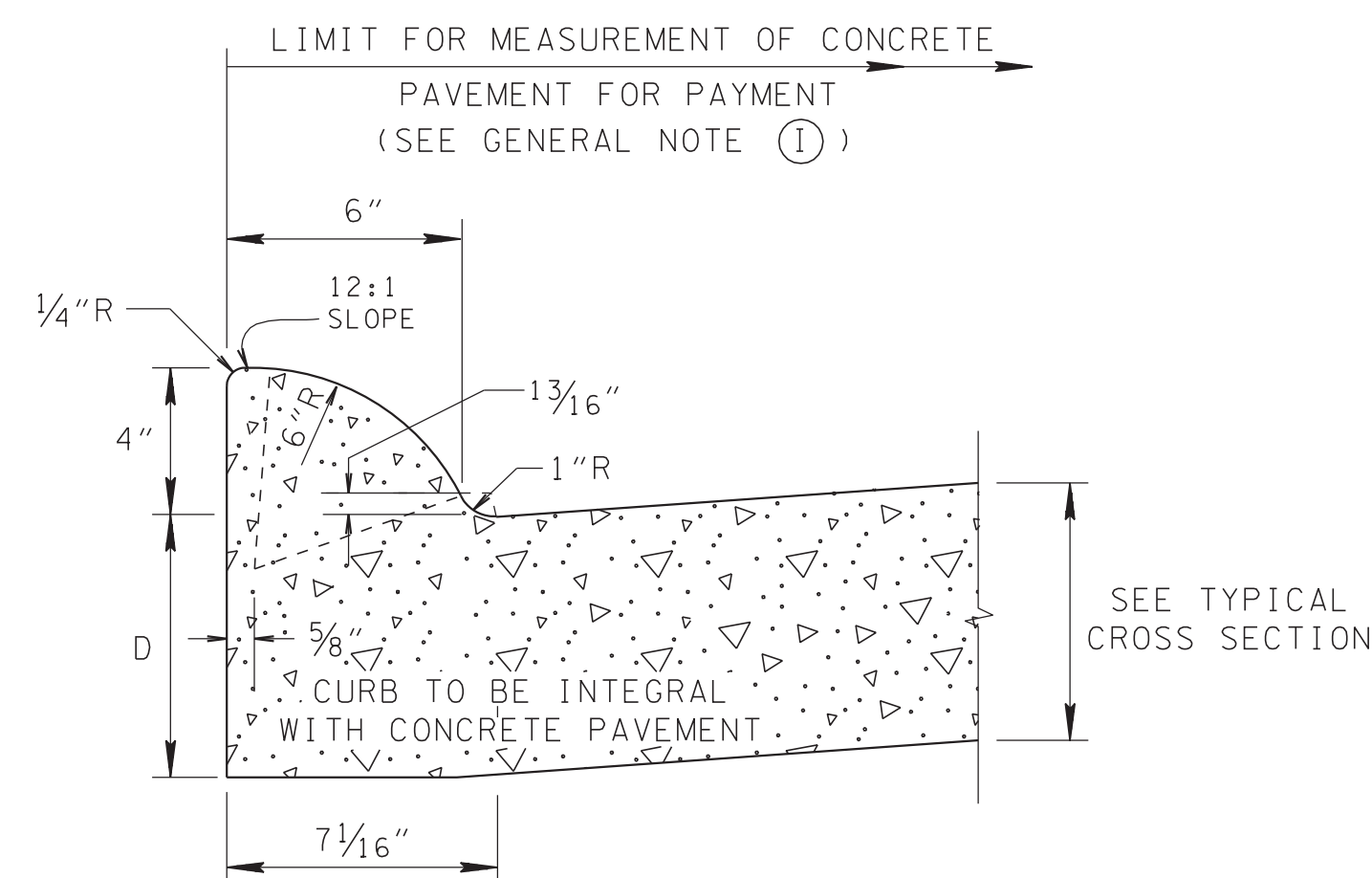
VERTICAL DEPTH (V) MUST ALWAYS EXCEED SIX (6) INCHES.

HEIGHT OF CURB	CUBIC YARD PER LINEAR FOOT	
	TYPE "A"	TYPE "B"
LOWERED CURB	0.02015	0.03138
4" SLOPING	0.02354	0.03506

①	TO BE BUILT AS COMBINED CURB AND GUTTER, DETACHED CURB OR INTEGRAL CURB AS NOTED ON THE PLANS OR AS DIRECTED BY THE ENGINEER.
②	FOR DETACHED CURB, OMIT RADIUS AT FLOW LINE.

HEIGHT OF CURB	DEPTH (D) OF GUTTER IN INCHES	TOTAL WIDTH (W) IN INCHES	CUBIC YARDS PER LINEAR FOOT	DEPTH (D) OF GUTTER IN INCHES	TOTAL WIDTH (W) IN INCHES	CUBIC YARDS PER LINEAR FOOT	DEPTH (D) OF GUTTER IN INCHES	TOTAL WIDTH (W) IN INCHES	CUBIC YARDS PER LINEAR FOOT	DEPTH (D) OF GUTTER IN INCHES	TOTAL WIDTH (W) IN INCHES	CUBIC YARDS PER LINEAR FOOT	DEPTH (D) OF GUTTER IN INCHES	TOTAL WIDTH (W) IN INCHES	CUBIC YARDS PER LINEAR FOOT
LOWERED CURB	8	30	0.05696	9	30	0.06468	10	30	0.07240	11	30	0.08012	12	30	0.08783
	8	36	0.07072	9	36	0.07998	10	36	0.08925	11	36	0.09850	12	36	0.10776
	8	42	0.09623	9	42	0.10704	10	42	0.11784	11	42	0.12864	12	42	0.13944
4" SLOPING	8	30	0.05980	9	30	0.06752	10	30	0.07524	11	30	0.08296	12	30	0.09068
	8	36	0.07356	9	36	0.08282	10	36	0.09208	11	36	0.10134	12	36	0.11060
	8	42	0.09907	9	42	0.10987	10	42	0.12067	11	42	0.13147	12	42	0.14227

D-	VERTICAL DEPTH OF GUTTER
T-	VERTICAL DROP IN GUTTER FROM FRONT EDGE TO FACE OF CURB
W-	TOTAL WIDTH OF COMBINED CURB AND GUTTER
WG-	WIDTH OF GUTTER



4" SLOPING INTEGRAL CONCRETE CURB

(A) FOR SPECIFICATIONS SEE "STANDARD SPECIFICATIONS FOR ROAD AND BRIDGE CONSTRUCTION" OF THE TENNESSEE DEPARTMENT OF TRANSPORTATION, SECTION 702 - CEMENT CONCRETE CURB, GUTTER AND COMBINED CURB AND GUTTER.	(E) CONTRACTION JOINTS ARE TO BE SPACED AT 10 FEET. THE SPACING OF 10 FEET MAY BE REDUCED FOR CLOSURES, BUT NOT LESS THAN 6 FEET.
(B) THE FRONT FACE OF THE CONCRETE CURBS FOR ALL DEGREES OF CURVATURE SHALL CONFORM TO THE CONTOUR OF THE CURVE AND NO CHORD SECTIONS WILL BE PERMITTED.	(F) EDGES OF JOINTS SHALL BE FINISHED ON ONE-QUARTER INCH RADIUS.
(C) CONCRETE EXPANSION JOINT MATERIAL IS TO BE 3/4" PREMOLDED FIBER IN ACCORDANCE WITH SECTION 905 - JOINT MATERIALS OF THE STANDARD SPECIFICATIONS.	(G) ALL COST OF JOINTS SHALL BE INCLUDED IN THE UNIT PRICE BID FOR CONCRETE CURBS AND CONCRETE CURBS AND GUTTERS.
(D) EXPANSION JOINTS ARE TO BE PLACED AS FOLLOWS: ① AT TANGENT POINTS OF CIRCULAR CURBS ② BETWEEN CURBS AND ABUTTING RIGID OBJECTS ③ AT OTHER PLACES WHERE STRESSES MAY DEVELOP ④ SO AS TO LINE UP WITH PAVEMENT JOINTS WHERE THE ADJACENT PAVEMENT IS CONCRETE ⑤ MAXIMUM SPACING IS TO BE 100 FEET	(H) THE UNIT PRICE BID FOR CONCRETE CURB, CONCRETE CURB AND GUTTER AND CONCRETE PAVEMENT WILL INCLUDE ANY CIRCULAR SECTION REQUIRED TO BE BUILT CONFORMING TO SECTIONS SHOWN ON THIS SHEET.
	(I) ALL COST OF THE 4" SLOPING (MOUNTABLE) INTEGRAL CONCRETE CURB SHALL BE INCLUDED IN THE UNIT PRICE BID FOR THE CONCRETE PAVEMENT.
	(J) PAYMENT WILL BE AS FOLLOWS: ITEM NO. 702-01 CONCRETE CURB PER CUBIC YARD ITEM NO. 702-02 CONCRETE GUTTER PER CUBIC YARD ITEM NO. 702-03 CONCRETE COMBINED CURB AND GUTTER PER CUBIC YARD

MINOR REVISION -- FHWA APPROVAL NOT REQUIRED.

STATE OF TENNESSEE DEPARTMENT OF TRANSPORTATION

STANDARD 4" SLOPING (MOUNTABLE) CONCRETE CURBS AND CONCRETE CURBS AND GUTTERS

10-26-91 RP-MC-1