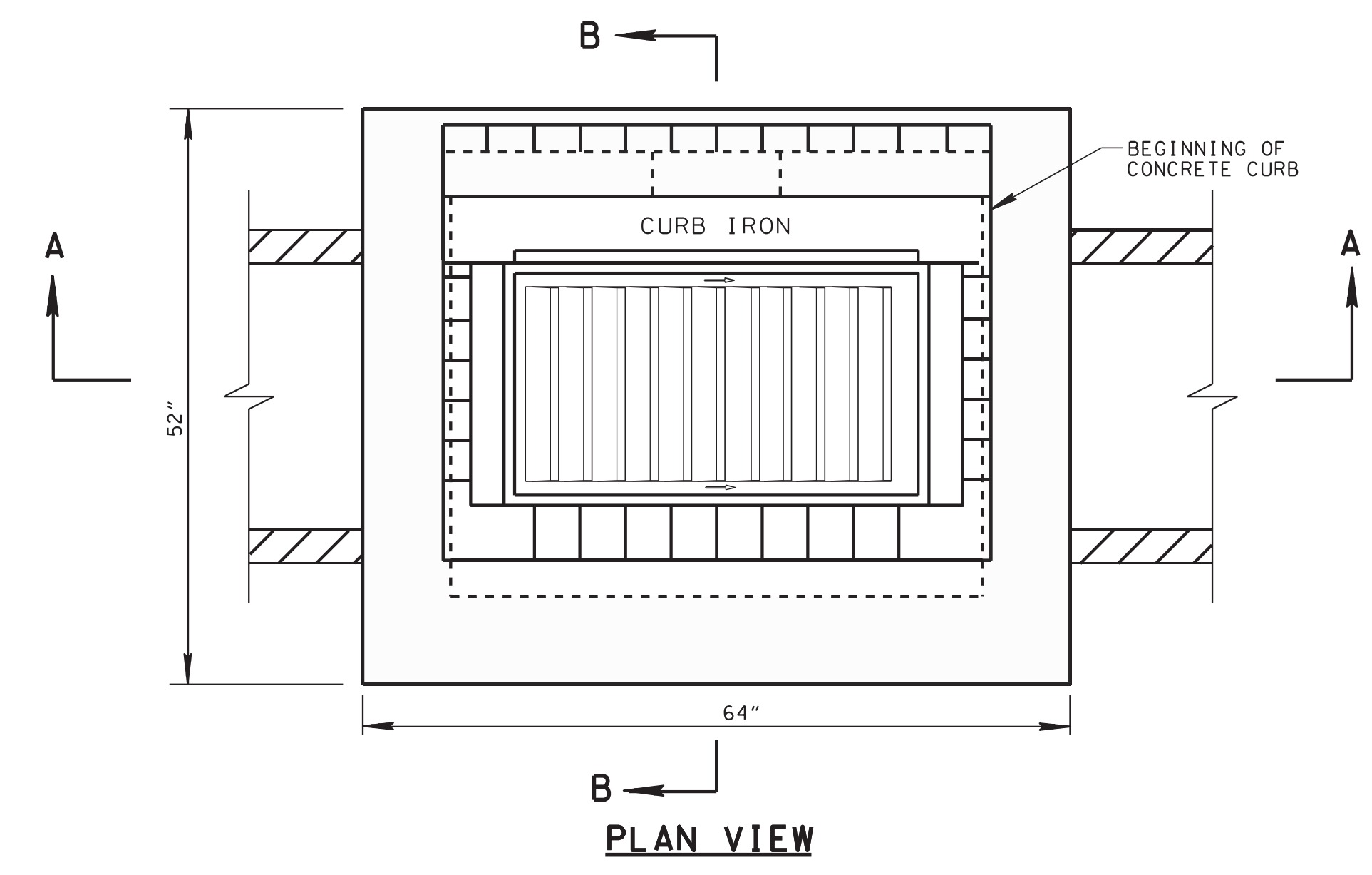
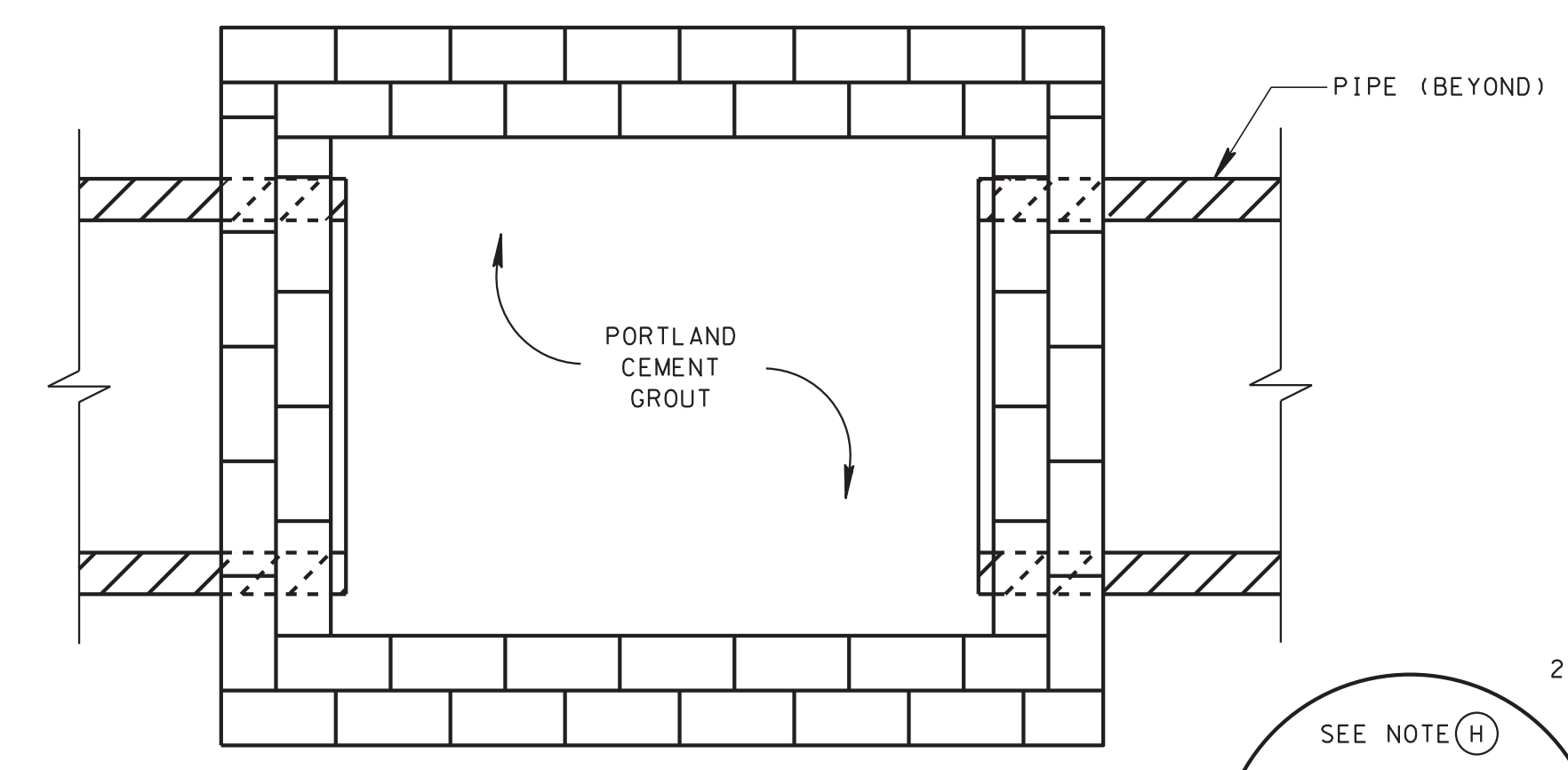


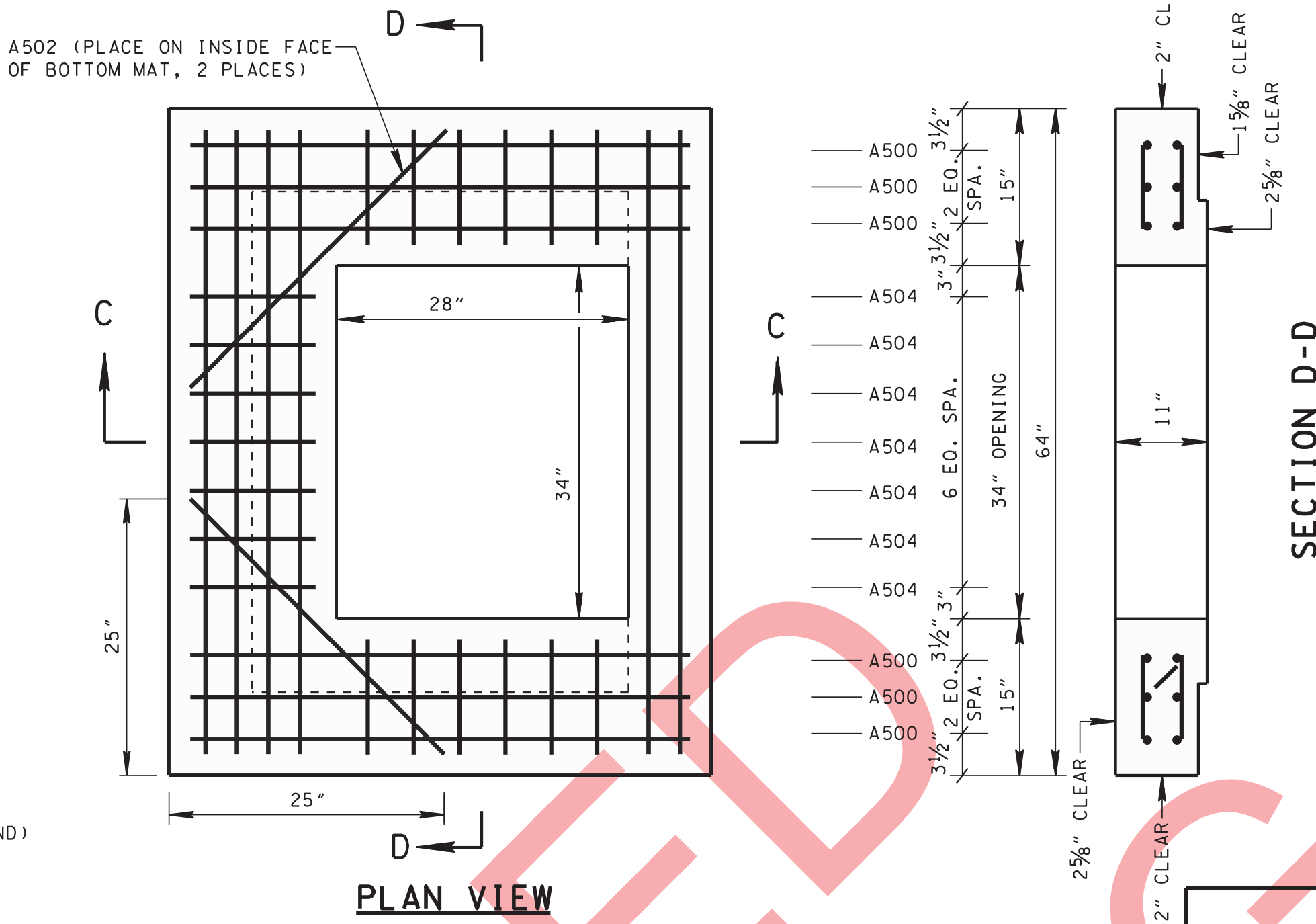
22-APR-2014 09:50
 \\J0019033WF013.tdot.state.tn.us\j006154\backup d\papak on J196208\WOPKSTD\2014 std dwg\DCB28B_031114.dgn



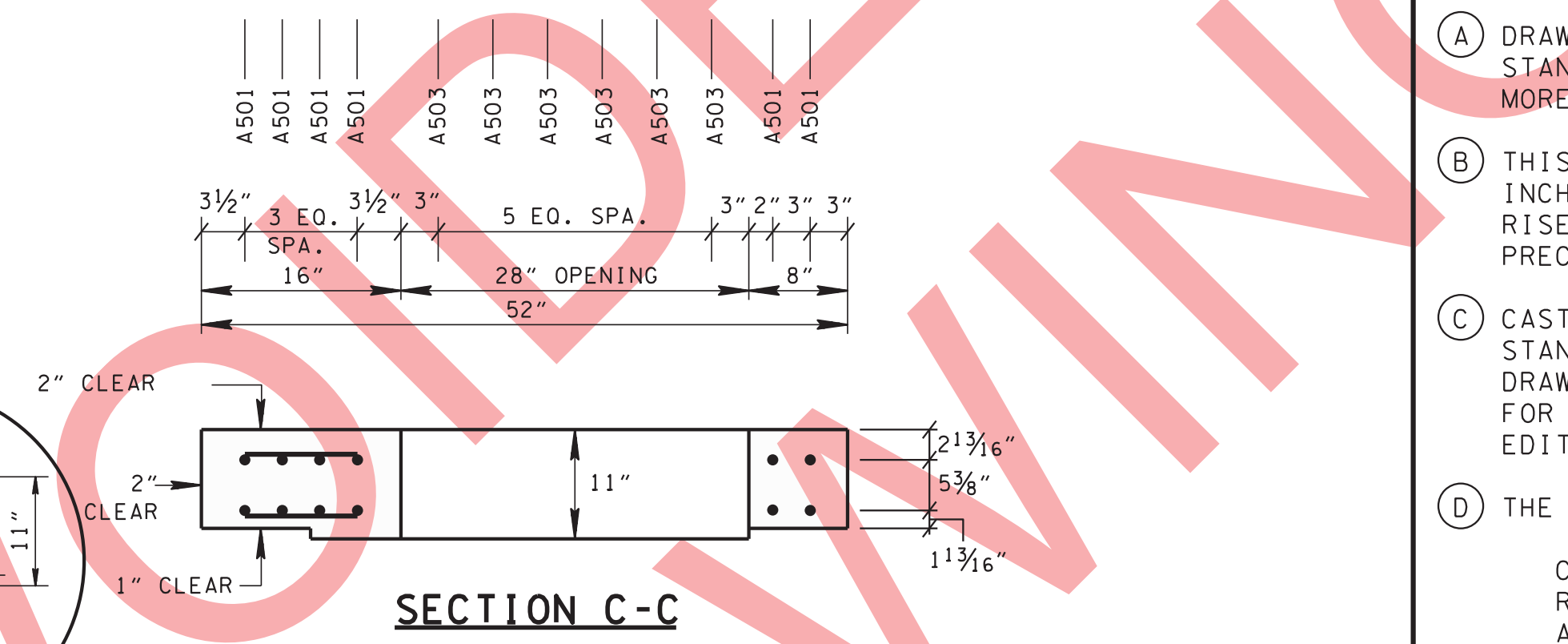
PLAN VIEW



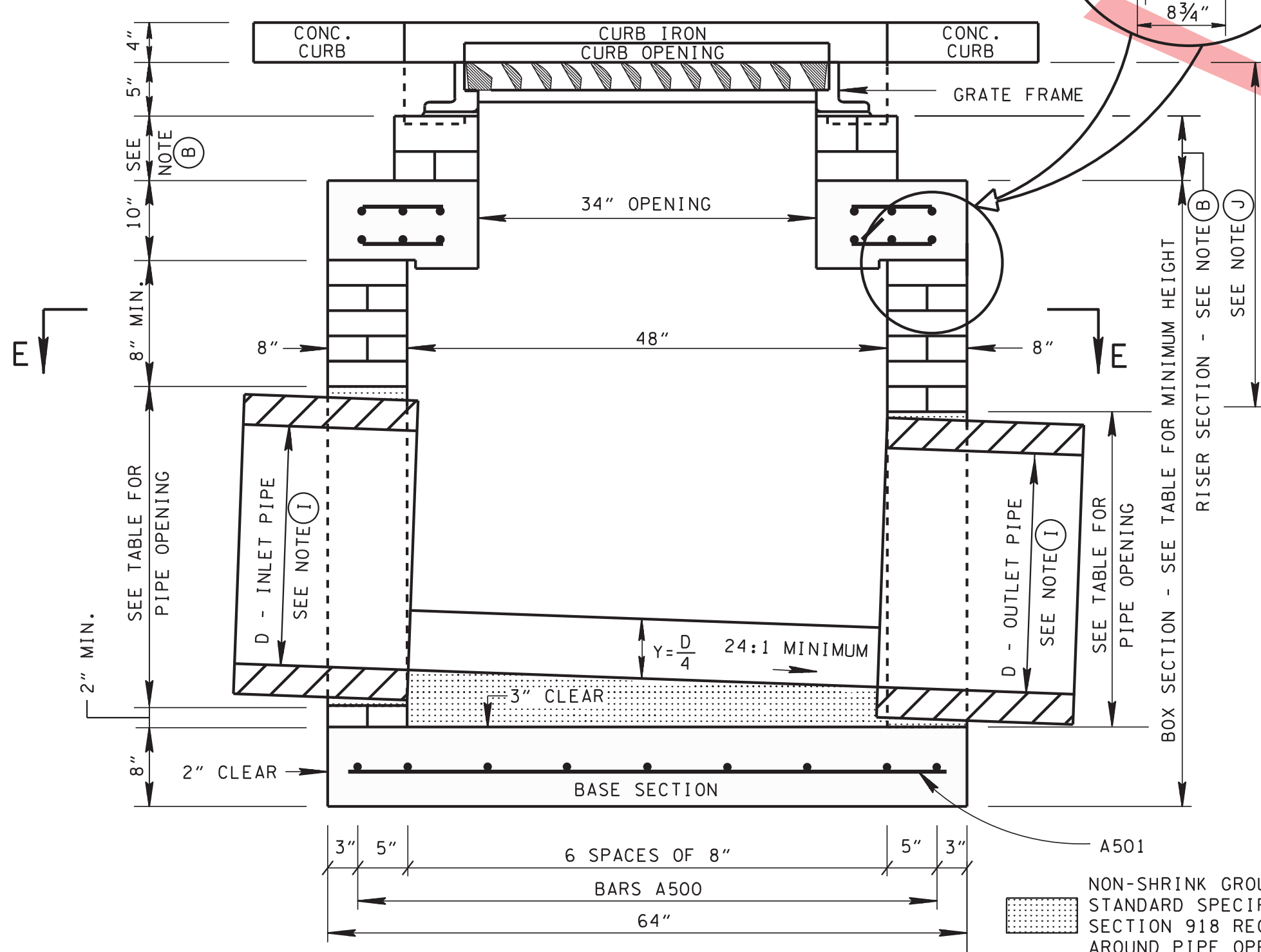
SECTION E-E



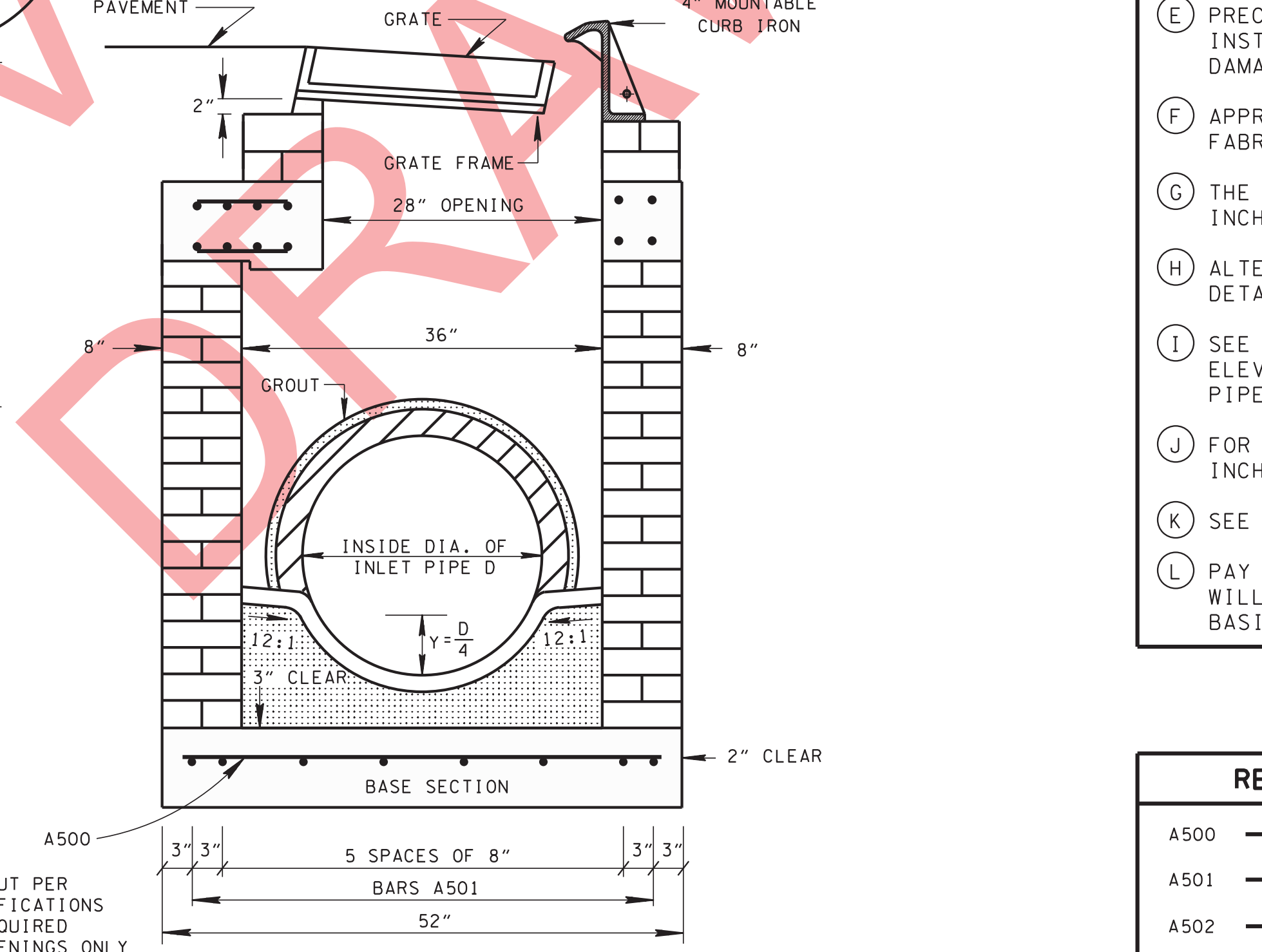
PLAN VIEW



SECTION C-C



SECTION A-A



SECTION B-B

CATCH BASIN MAXIMUM DEPTH NOTE
 MAXIMUM DEPTH FOR THIS STRUCTURE IS 8.00'

CATCH BASIN DIMENSIONS				FOR DESIGN USE ONLY
INSIDE DIAMETER (D) OF PIPE (INCHES)	PIPE WALL THICKNESS (INCHES)	DIAMETER OF PIPE OPENING (INCHES)	BOX SECTION MINIMUM HEIGHTS (INCHES)	CATCH BASIN MINIMUM DESIGN DEPTH (FEET)
18	2 1/2	25	51	3.88
24	3	32	58	4.42
30	3 1/2	39	65	4.96
36	4	46	72	5.50

- ① CUT-OUT HOLES BASED ON REINFORCED CONCRETE PIPE WITH WALL TYPE "B".
- ② ALL FLEXIBLE PIPE MATERIALS REQUIRE GASKET. SEE STANDARD DRAWING D-PB-2.
- ③ TO BE USED IN 48 INCH INTERIOR WALLS ONLY.

GENERAL NOTES

- (A) DRAWING TO BE USED FOR NO. 28 BRICK CATCH BASINS THAT ARE EIGHT FEET AND LESS IN DEPTH. SEE STANDARD DRAWINGS D-CB-28P AND D-CB-28S FOR DETAILS OF NO. 28 CONCRETE CATCH BASINS THAT ARE MORE THAN EIGHT FEET IN DEPTH.
- (B) THIS DIMENSION MAY VARY FROM A MINIMUM OF 0 INCHES TO A MAXIMUM OF 24 INCHES AS LONG AS 23 INCHES IS SATISFIED. THE CONTRACTOR HAS THE OPTION OF USING BRICK OR STANDARD PRECAST CONCRETE RISER FRAMES. THE USE OF BRICK SHALL BE LIMITED TO 6 INCHES. IF THIS DIMENSION EXCEEDS 6 INCHES, PRECAST CONCRETE RISER FRAMES SHALL BE USED AS SHOWN ON STANDARD DRAWING D-RF-1.
- (C) CAST-IN-PLACE CONCRETE USED IN BRICK CATCH BASINS SHALL BE CONSTRUCTED IN ACCORDANCE WITH STANDARD SPECIFICATIONS, SECTION 611 AND/OR SPECIAL PROVISIONS UNLESS SUPERSEDED BY THIS DRAWING. THE CONTRACTOR MAY WITH PERMISSION FROM THE ENGINEER SUBSTITUTE PRECAST CATCH BASINS FOR CAST-IN-PLACE CATCH BASINS PROVIDED THAT ALL PRECAST ELEMENTS MEET ASTM C913 (CURRENT EDITION) UNLESS SUPERSEDED BY THIS DRAWING.
- (D) THE FOLLOWING MATERIAL PROPERTIES ARE REQUIRED FOR BOTH CAST-IN-PLACE AND PRECAST STRUCTURES:
 CONCRETE: $f'_c = 4,000$ POUNDS PER SQUARE INCH AT 28 DAYS
 REINFORCING STEEL: ASTM A615, $F_y = 60,000$ POUNDS PER SQUARE INCH
 ALL REINFORCING IS TO BE INSTALLED AS DETAILED ON THIS DRAWING.
- (E) PRECAST CATCH BASIN UNITS USED FOR LIDS AND FLOORS WHICH ARE DAMAGED DURING SHIPMENT OR INSTALLATION WILL BE REJECTED. IT SHALL BE THE RESPONSIBILITY OF THE CONTRACTOR TO REPLACE DAMAGED CATCH BASIN UNITS AT HIS OWN EXPENSE.
- (F) APPROPRIATE SIZING AND LOCATION OF LIFTING DEVICES SHALL BE THE RESPONSIBILITY OF THE FABRICATOR.
- (G) THE CONTRACTOR IS TO PATCH ALL LIFTING DEVICE HOLES WITH GROUT AND PLACE A MINIMUM OF ONE (1) INCH OF COVER OVER THE HARDWARE OF THESE DEVICES ON BOTH TOP AND BOTTOM SURFACES.
- (H) ALTERNATIVE JOINT DETAILS MAY BE ACCEPTABLE. SEE STANDARD DRAWING D-CB-99 FOR ADDITIONAL DETAILS.
- (I) SEE ROADWAY PLANS DRAINAGE TABULATION FOR PIPE INLET AND OUTLET ELEVATIONS. IF NEEDED, INVERT ELEVATIONS MAY BE ADJUSTED AS DIRECTED BY THE ENGINEER IN ORDER TO ACCOMMODATE INLET AND OUTLET PIPES.
- (J) FOR CASES WHERE THE OUTLET PIPE DIAMETER IS LARGER THAN THE INLET PIPE DIAMETER, A MINIMUM 23 INCH DEPTH SHALL BE MAINTAINED ABOVE THE OUTLET PIPE.
- (K) SEE STANDARD DRAWING D-CBB-12C FOR DETAILS REGARDING CAST IRON GRATES, FRAMES AND CURB INLETS.
- (L) PAY DEPTH MEASUREMENT MADE FROM TOP OF GRATE TO OUTLET FLOW ELEVATION. PAYMENT FOR CATCH BASIN WILL BE MADE UNDER ITEM NUMBERS 611-28.01 CATCH BASINS, TYPE 28, 0'-4' DEPTH AND 611-28.02 CATCH BASINS, TYPE 28, > 4'-8' DEPTH PER EACH. PAYMENT INCLUDES RISER SECTION AND GRATE.

REINFORCING STEEL LEGEND

A500	48"	A503	11"
A501	60"	A504	12"
A502	33"		

DIMENSIONS SHOWN ON THIS LEGEND ARE OUTSIDE TO OUTSIDE OF BAR. STANDARD C.R.S.I. HOOK AND TIE DETAILS SHALL APPLY, EXCEPT AS NOTED.

MINOR REVISION -- FHWA APPROVAL NOT REQUIRED.

STATE OF TENNESSEE
 DEPARTMENT OF TRANSPORTATION
STANDARD RECTANGULAR BRICK NO. 28 CATCH BASIN
 (FOR USE WITH 4" MOUNTABLE CURB)