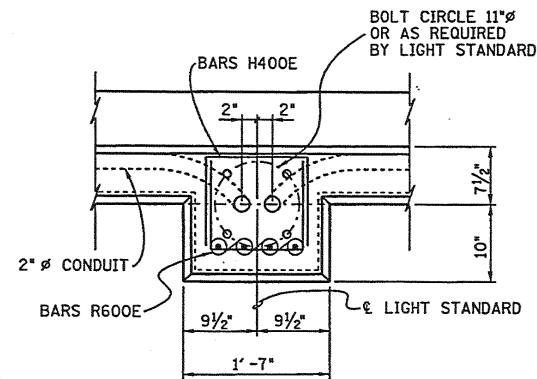
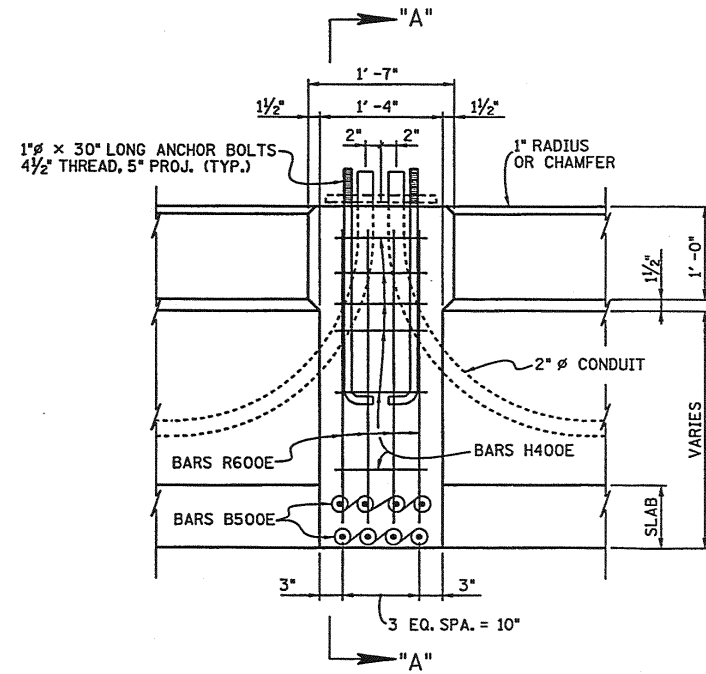


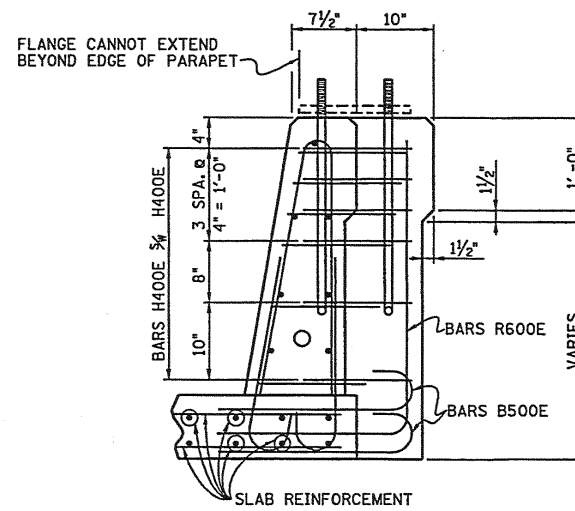
CONST. NO.		
PROJECT NO.	YEAR	SHEET NO.
REVISIONS		
NO.	DATE	BY
BRIEF DESCRIPTION		



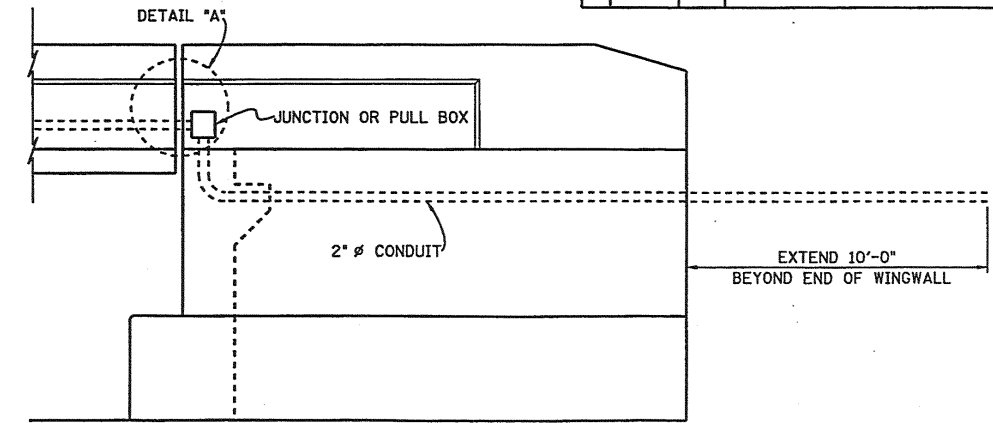
PLAN



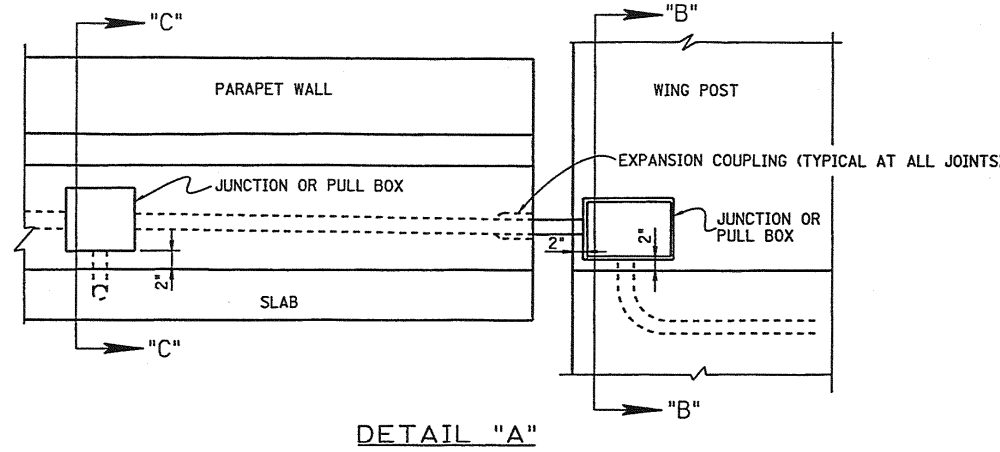
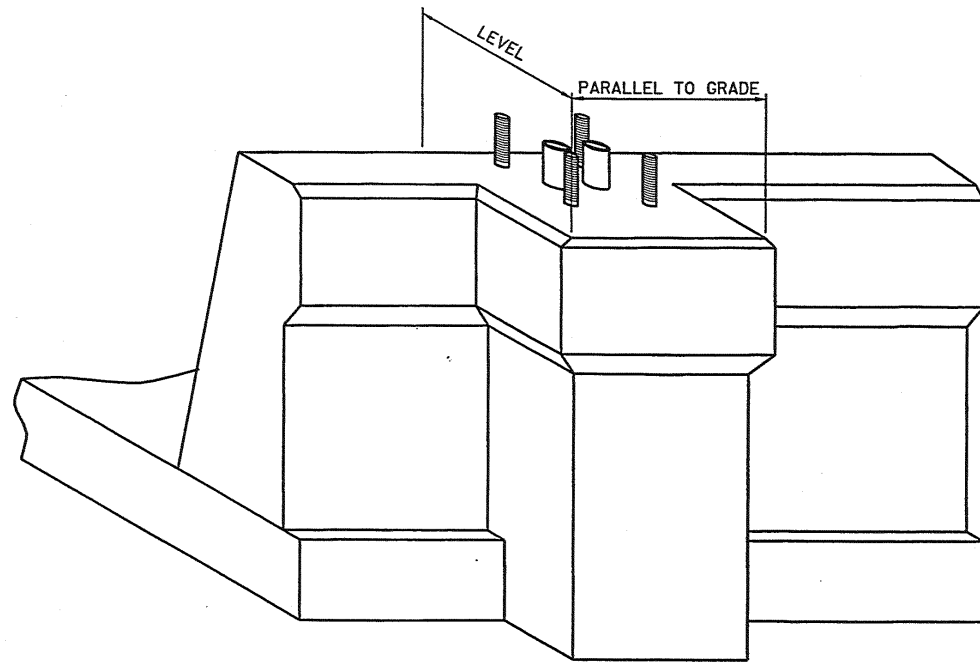
ELEVATION



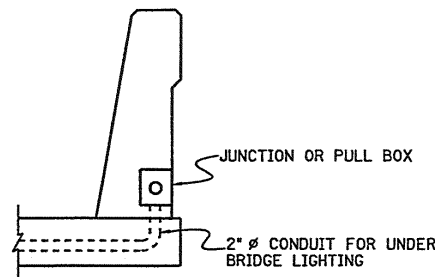
SECTION "A"- "A"



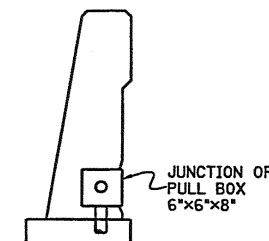
ELEVATION AT ABUTMENT



DETAIL "A"



SECTION "C"- "C"



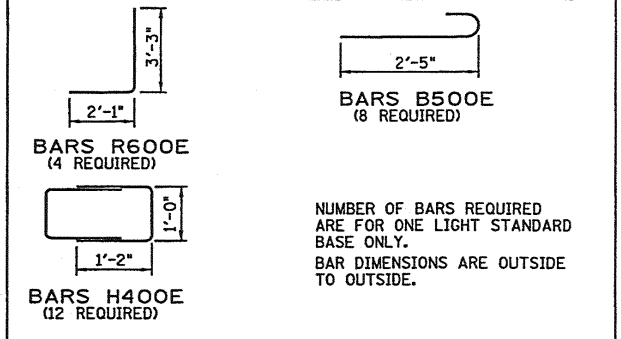
SECTION "B"- "B"

ESTIMATED QUANTITIES (PER LIGHT STANDARD SUPPORT)

CLASS "A" CONCRETE C.Y.	REINFORCING STEEL LB.
0.14	84

NOTE: ALL MATERIALS SHOWN ON THIS DRAWING SHALL BE COMPENSATED FOR UNDER ITEM NO.'S 714-01.01 THRU 714-01.30, STRUCTURE LIGHTING (BRIDGE NO. _____) EXCEPT CONCRETE AND REINFORCING STEEL TO BE INCLUDED IN THE PRICE BID FOR PARAPETS.

BAR DETAILS



NOTE: THESE SUPPORT DETAILS ARE INTENDED FOR LIGHT SUPPORTS ONLY, AND SHOULD NOT BE USED FOR SUPPORT OF STRAIN POLES.

STATE OF TENNESSEE
DEPARTMENT OF TRANSPORTATION
SINGLE SLOPE PARAPET
STANDARD
LIGHT SUPPORT
DETAILS
2007

CORRECT *Edward P. Wasserman*
ENGINEER OF STRUCTURES

DESIGNED BY R.L. CRAWFORD DATE 3-07
DRAWN BY K.L. FRANKENFIELD DATE 3-07
SUPERVISED BY DATE
CHECKED BY DATE