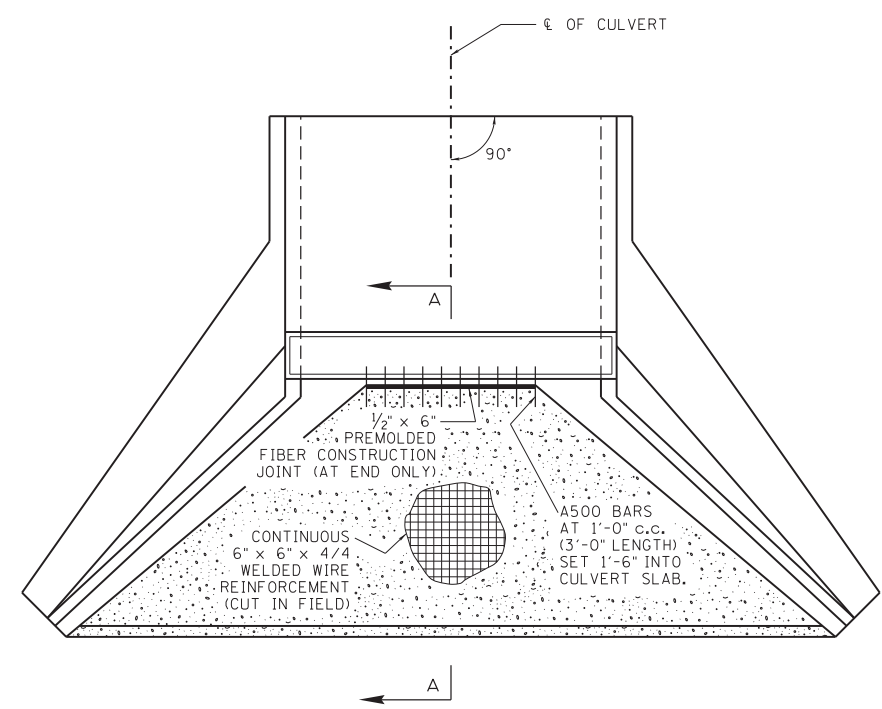
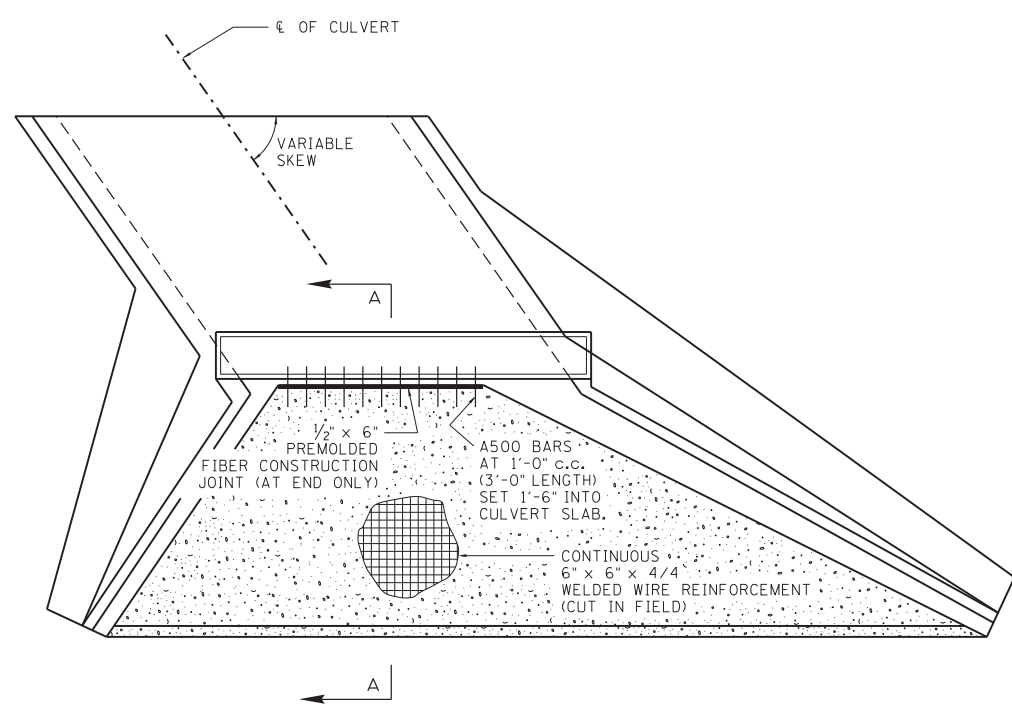


REVISIONS			
NO.	DATE	BY	BRIEF DESCRIPTION
1	6-20-18	AP	REVISED ASTM SPECIFICATION NUMBER

M/R DENOTES MINOR REVISION, FHWA APPROVAL NOT REQUIRED.



PLAN VIEW FOR BOX CULVERTS ON 90 DEGREE SKEW TO CENTERLINE



PLAN VIEW FOR BOX CULVERTS ON VARIABLE DEGREE SKEW TO CENTERLINE

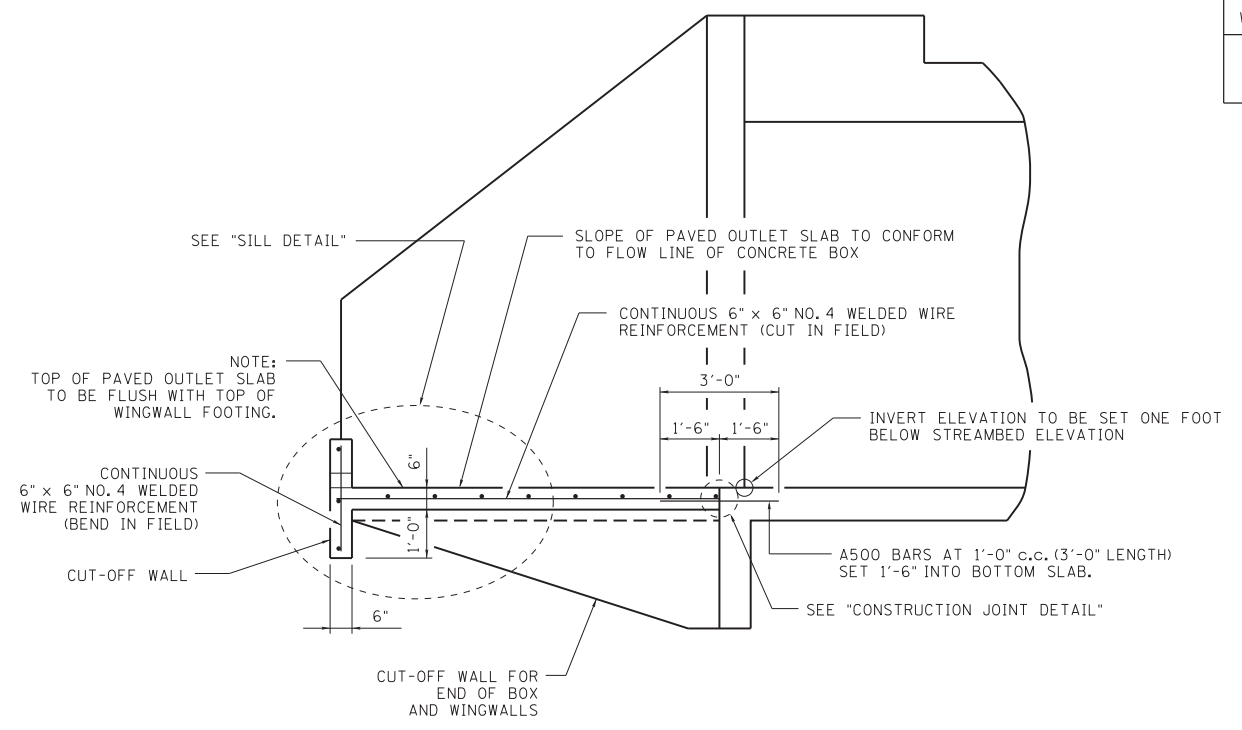
NOTES:

- WELDED WIRE REINFORCEMENT: TO BE 6" x 6" NO. 4 GAUGE WELDED WIRE AT 58 LBS./100 SQ. FT. WITH 9" MINIMUM LAP. WIRE TO CONFORM TO ASTM A1064 SPECIFICATIONS. THE WIRE IS TO EXTEND TO WITHIN 3" OF THE EDGE OF THE SLAB AND SHALL BE PLACED AT ONE HALF THE DEPTH OF THE SLAB.
- THE CONTRACTOR MAY SUBSTITUTE AN EQUIVALENT AREA OF ASTM NUMBER 3 REINFORCING BARS FOR THE 6" x 6" NO. 4 WELDED WIRE REINFORCEMENT.

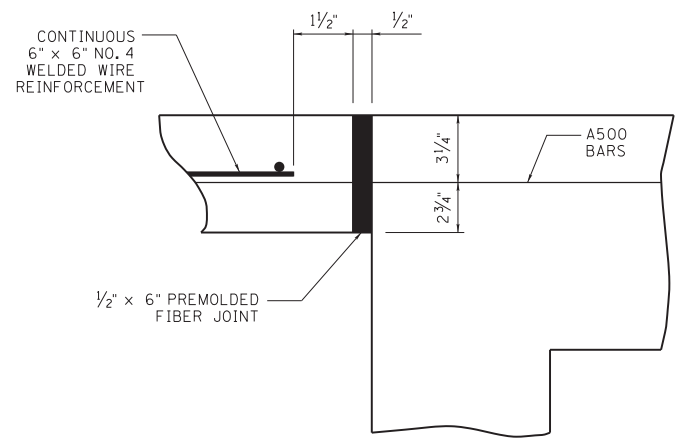
GENERAL NOTES

- PAVED OUTLET DETAIL IS TO BE USED ONLY WHEN SPECIFIED IN DESIGN PLANS.
- CONCRETE PAVED OUTLETS SHALL BE CONSTRUCTED IN ACCORDANCE WITH STANDARD SPECIFICATIONS FOR ROAD AND BRIDGE CONSTRUCTION, SECTIONS 204 AND 604 OR CURRENT SPECIAL PROVISIONS.
 CONCRETE: CLASS "A", $f_c' = 3000$ PSI MINIMUM AT 28 DAYS.
 REINFORCING STEEL: ASTM A615 GRADE 60
 WELDED WIRE REINFORCEMENT: DETAILS AND PLACEMENT TO CONFORM TO CURRENT CRSI STANDARDS. THE MATERIALS TO CONFORM TO ASTM A1064.
- CONCRETE JOINT MATERIAL IS TO BE 1/2" x 6" PREMOLDED FIBER IN ACCORDANCE WITH SECTION 905 - JOINT MATERIALS OF THE STANDARD SPECIFICATIONS. COST IS TO BE INCLUDED IN THE UNIT PRICE BID FOR CLASS "A" CONCRETE (BOX BRIDGES).
- PAYMENT WILL BE MADE AS FOLLOWS:
 FOUNDATION FILL MATERIAL PER CUBIC YARD.
 CLASS "A" CONCRETE (BOX BRIDGES) PER CUBIC YARD.
 STEEL BAR REINFORCEMENT (BOX BRIDGES) PER POUND.

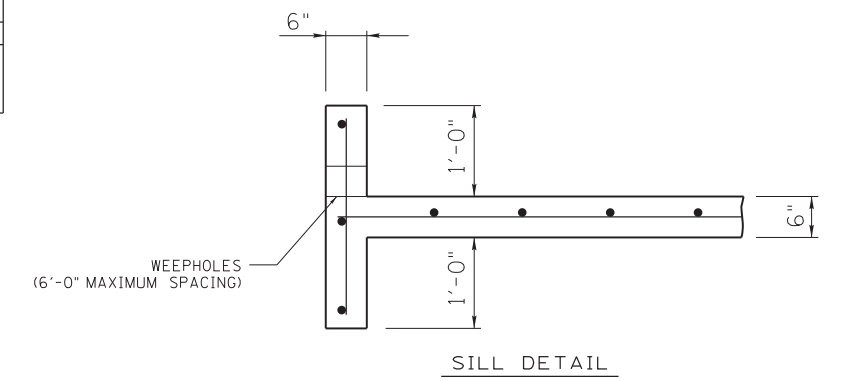
ESTIMATED QUANTITIES				
6" x 6" NO. 4 GAUGE WELDED WIRE REINFORCEMENT	REINFORCING STEEL (A500 BARS)	CONCRETE CLASS "A"		
		SLAB	CUT-OFF WALL	SILL
58 LBS./100 SQ. FT.	3,130 LBS. PER A500 BAR	0,019 C.Y. PER SQ. FT.	0,019 C.Y. PER LIN. FT.	0,019 C.Y. PER LIN. FT.



SECTION A-A



CONSTRUCTION JOINT DETAIL



SILL DETAIL

STATE OF TENNESSEE
 DEPARTMENT OF TRANSPORTATION
PAVED OUTLET DETAIL
 STANDARD REINFORCED
 CONCRETE BRIDGE
 BOX TYPE

2010

CORRECT *Edward P. Wasserman*
 ENGINEER OF STRUCTURES

DESIGNED BY CMH / MAH DATE 12-09
 DRAWN BY DIANE BUSH DATE 04-10
 SUPERVISED BY RLH / JWP / MAH DATE 12-09
 CHECKED BY DATE