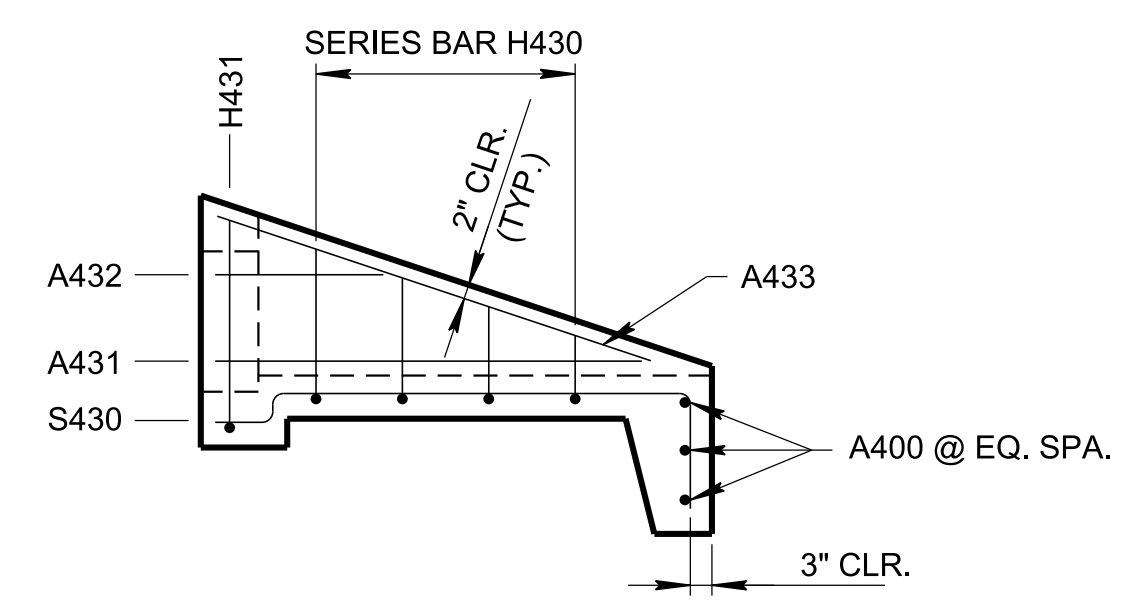
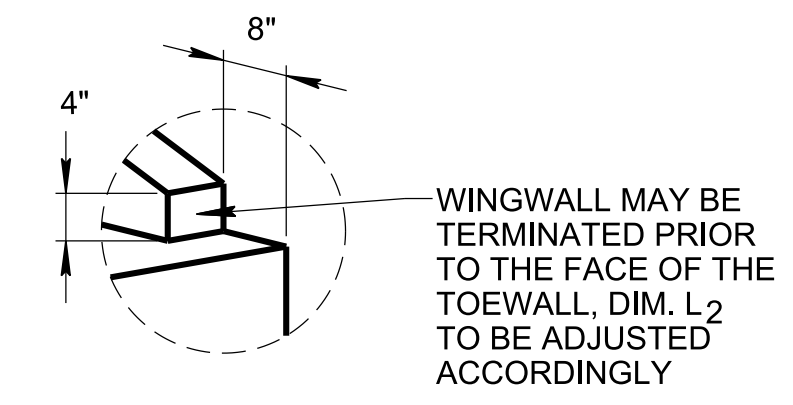


ISOMETRIC VIEW

NOTE: 3/4\"/>



3:1 WINGWALL ELEVATION
NOTE: A-BARS IN HEADWALL NOT SHOWN FOR CLARITY.

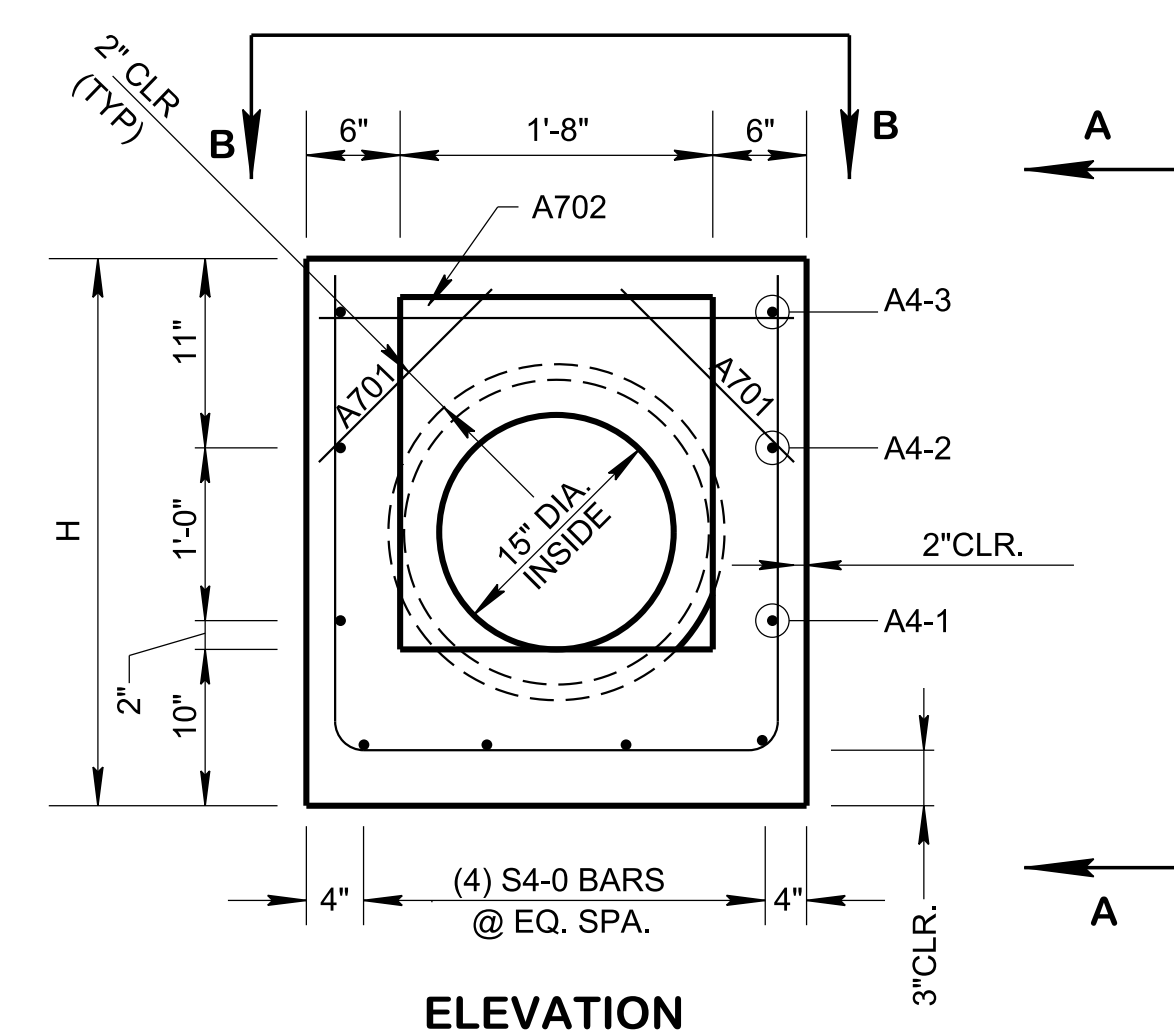


ALTERNATE DETAIL "A"

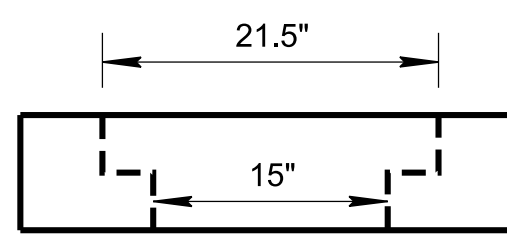
WINGWALL MAY BE TERMINATED PRIOR TO THE FACE OF THE TOEWALL, DIM. L₂ TO BE ADJUSTED ACCORDINGLY

SEE ALTERNATE DETAIL "A"

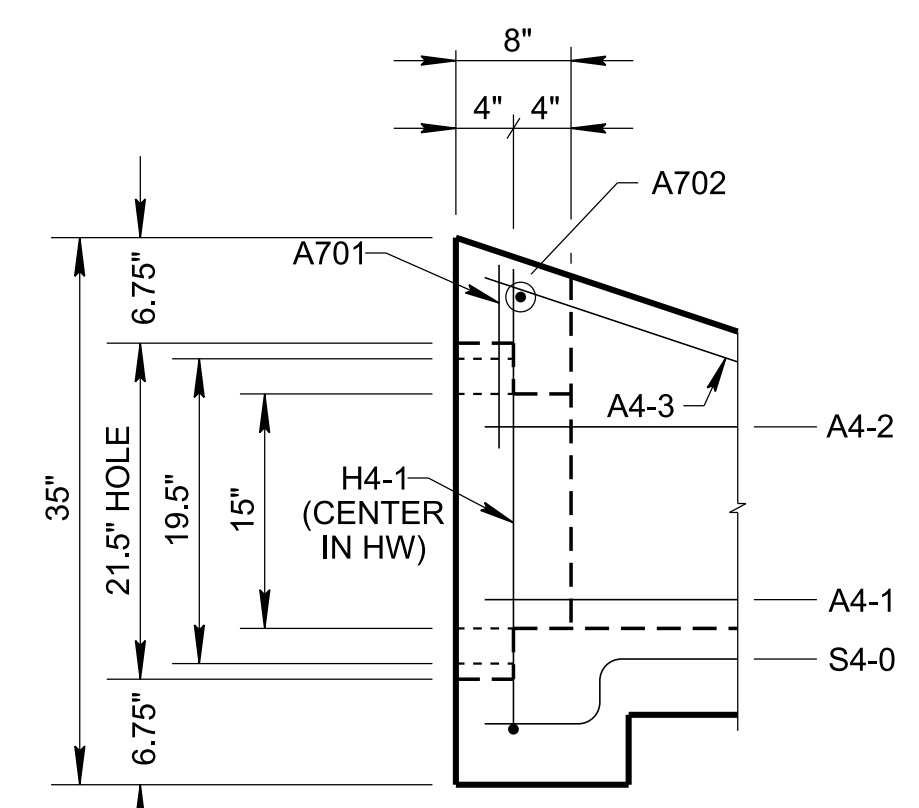
TOEWALL



ELEVATION



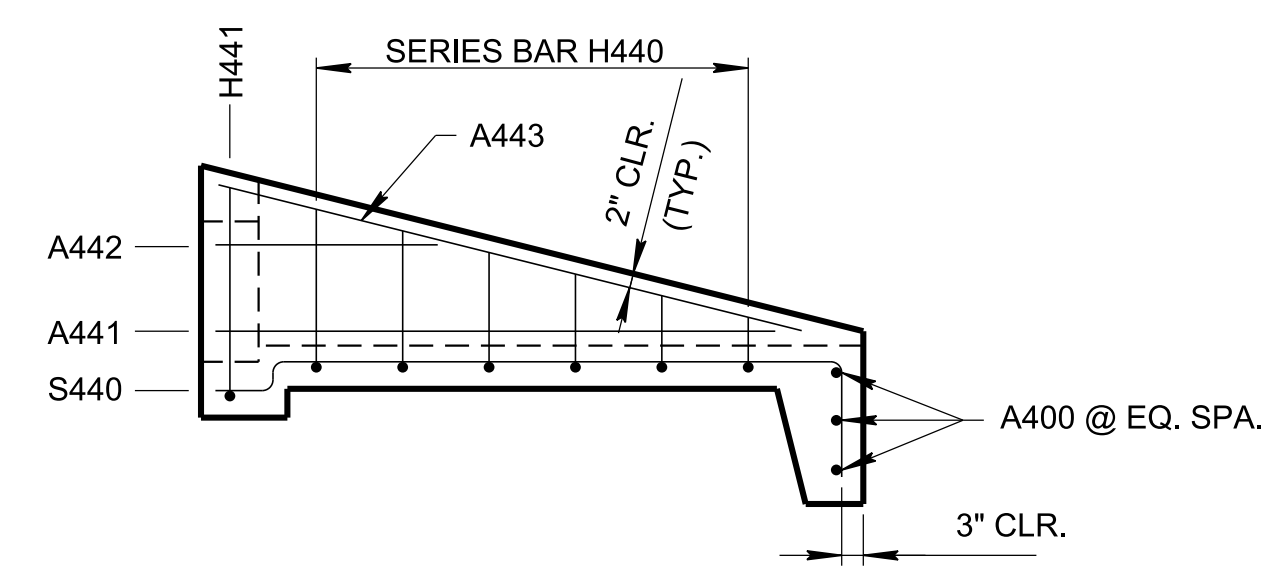
PARTIAL VIEW B-B



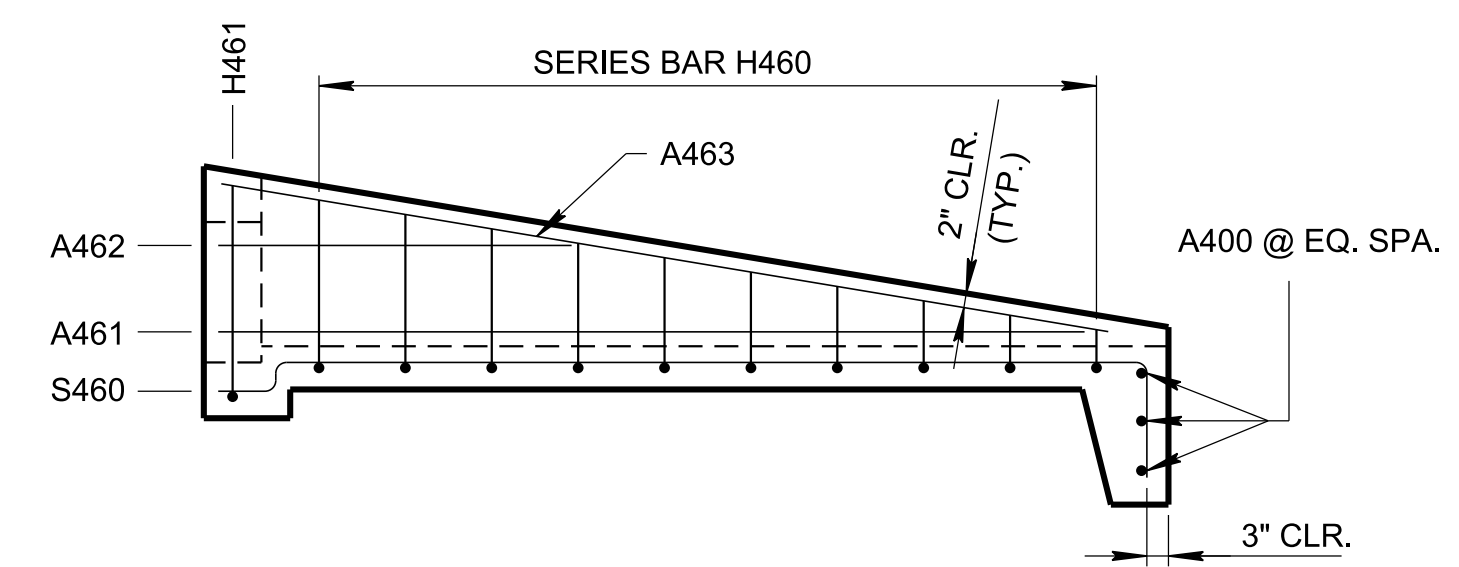
PARTIAL VIEW A-A

HEADWALL DETAILS

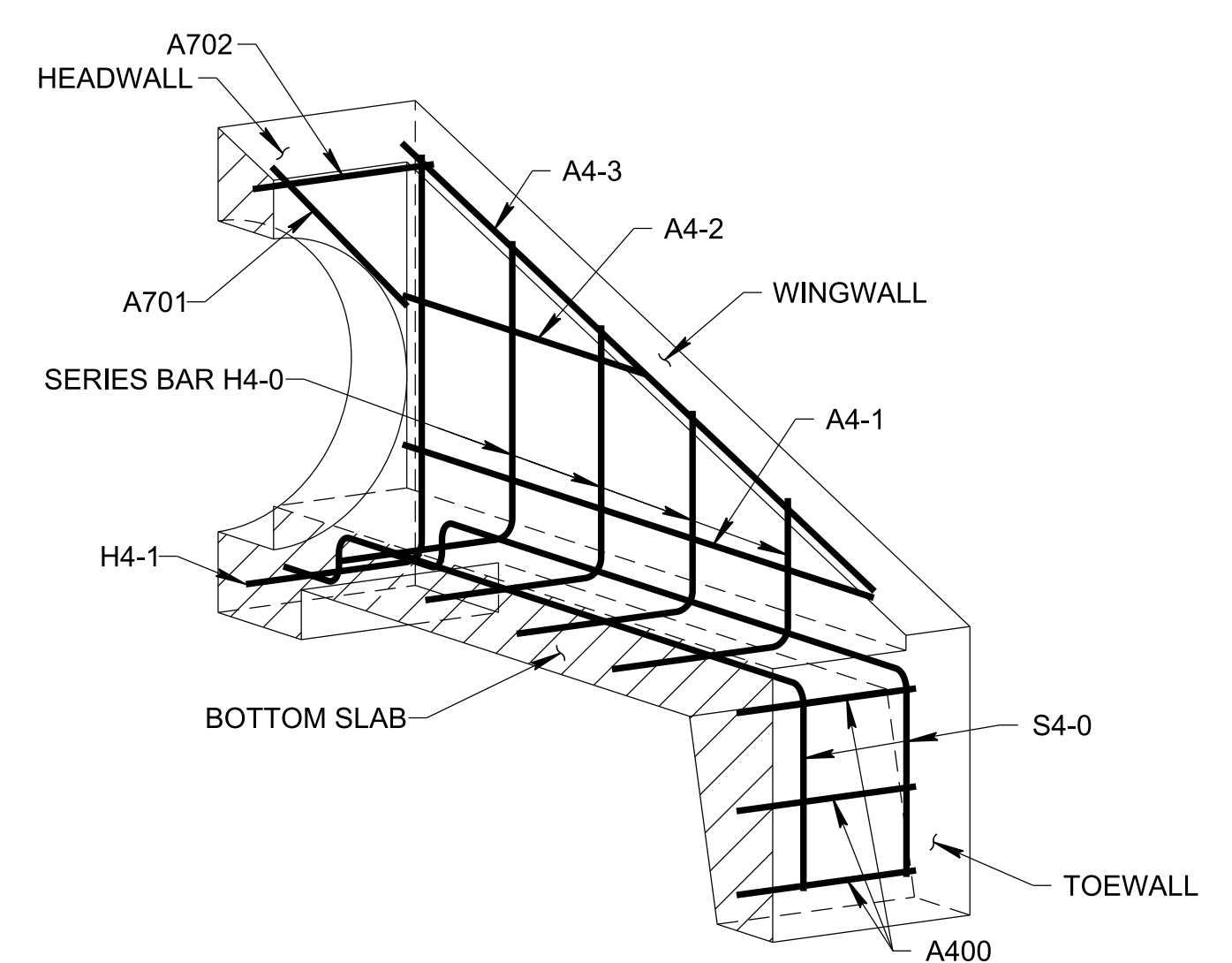
NOTES: INSTALL BARS A701 AT 45°
SEE GENERAL NOTES (C) & (F)



4:1 WINGWALL ELEVATION
NOTE: A-BARS IN HEADWALL NOT SHOWN FOR CLARITY.

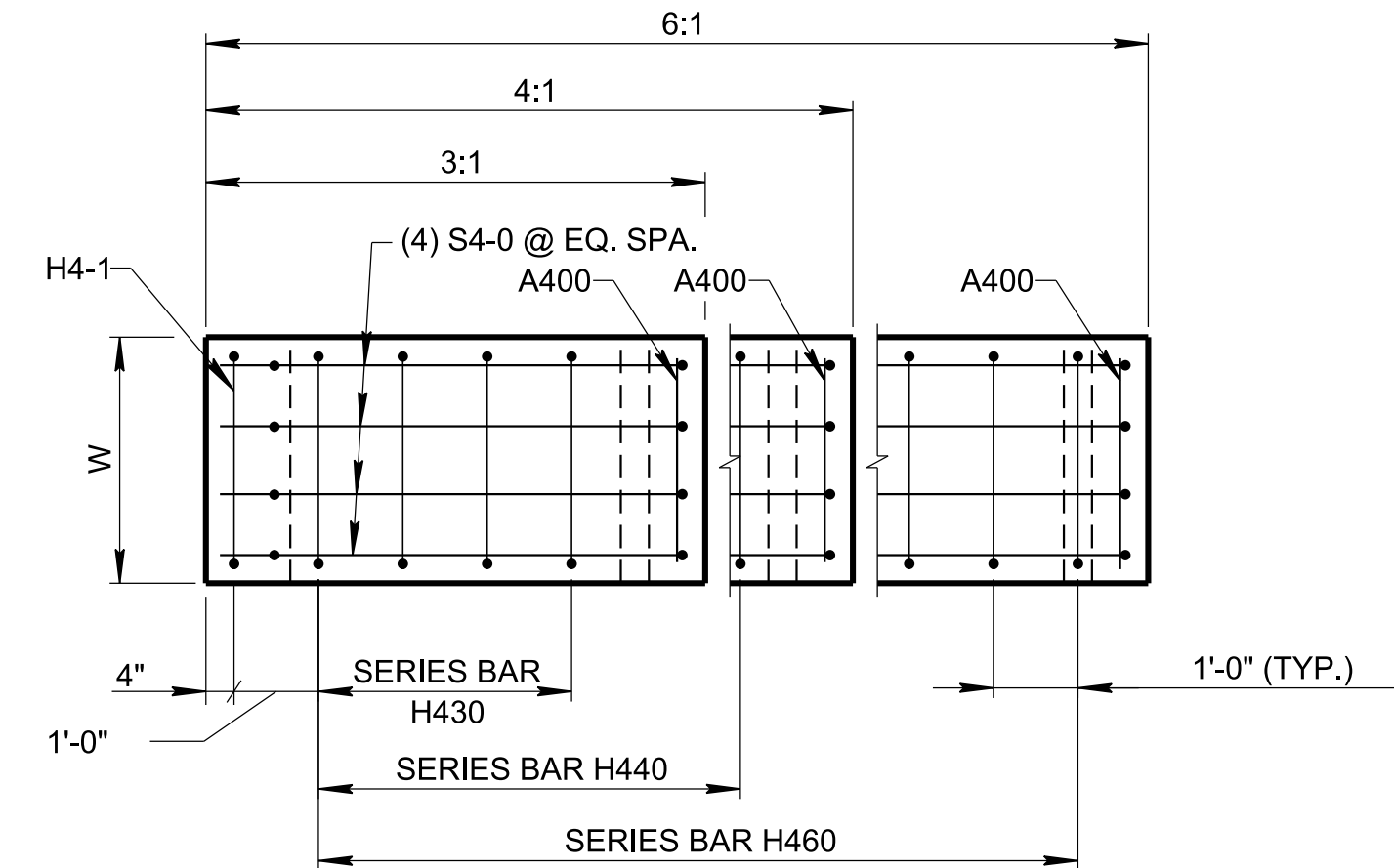


6:1 WINGWALL ELEVATION
NOTE: A-BARS IN HEADWALL NOT SHOWN FOR CLARITY.



ISOMETRIC HALF-SECTION SHOWING REINFORCEMENT

(3:1 SHOWN, 4:1 & 6:1 SIMILAR)
SEE GENERAL NOTE (C)



BOTTOM SLAB PLAN

DIMENSIONS AND QUANTITIES FOR ONE ENDWALL 15" PIPE						
SLOPE	CONCRETE ENDWALL DIMENSIONS				ESTIMATED QUANTITIES	
	H	L ₁	L ₂	W	CLASS "A" CONC. CU. YD.	STEEL BAR REINF. LB.
3:1	2' - 11"	6' - 0"	6' - 3 7/8"	2' - 8"	0.72	68
4:1		8' - 0"	8' - 3"		0.89	85
6:1		11' - 2"	11' - 3 7/8"		1.21	117

GENERAL NOTES

- (A) DRAWING TO BE USED FOR ALL CAST-IN-PLACE AND ALL PRECAST 15" CONCRETE ENDWALLS (TYPE "U") FOR CROSS DRAINS ONLY. "U" ENDWALL TO BE PLACED AT 90° SKEW TO CENTERLINE. SEE STD. DWG. D-PE-99 FOR SKEWED CONNECTION DETAIL WHEN CROSS DRAIN IS NOT PERPENDICULAR TO CENTERLINE. CAST-IN-PLACE CONCRETE ENDWALL SHALL BE CONSTRUCTED IN ACCORDANCE WITH STANDARD SPECIFICATIONS, SECTION 611 AND/OR SPECIAL PROVISIONS.
- (B) SEE STD. DWG. D-PE-15B FOR BILL OF STEEL & PRECAST NOTES.
- (C) "-" IN BAR DESIGNATION REPRESENTS 3, 4 OR 6 FOR 3:1, 4:1 OR 6:1 SLOPES, RESPECTIVELY.
- (D) SPLICING OF REINFORCEMENT IS ACCEPTABLE PROVIDED THAT A MINIMUM 21" SPLICE LENGTH IS USED.
- (E) TOEWALL BACK SLOPE MAY BE CONSTRUCTED VARIABLE FROM VERTICAL UP TO 15°.
- (F) OPTIONAL STEPPED HOLE IS ALLOWED PROVIDED THE AMOUNT OF COVER BETWEEN THE PIPE OPENING AND BARS A701 AND A702 IS THE SAME OR GREATER THAN SHOWN ON THIS DRAWING.
- (G) PAYMENT WILL BE MADE UNDER:

611-07.51	15IN ENDWALL (CROSS DRAIN) 3:1	EACH
611-07.52	15IN ENDWALL (CROSS DRAIN) 4:1	EACH
611-07.53	15IN ENDWALL (CROSS DRAIN) 6:1	EACH
- (H) THE CONTRACTOR MAY ELECT TO SUBSTITUTE AN APPROVED ALTERNATIVE DESIGN.
- (I) DIMENSIONAL AND REINFORCING TOLERANCES WILL BE AS SHOWN IN STANDARD OPERATING PROCEDURE (SOP) 5-3.

MINOR REVISION -- FHWA APPROVAL NOT REQUIRED

STATE OF TENNESSEE
STANDARD DRAWING
DEPARTMENT OF TRANSPORTATION

TYPE "U" CROSS DRAIN ENDWALL FOR 15" PIPE
(FOR 3:1, 4:1 & 6:1 SLOPES)

11/8/2019 12:01:34 PM C:\Users\jj005471\Desktop\DRAWINGS FOR IB SET\DIDPE15A-20190628.dgn