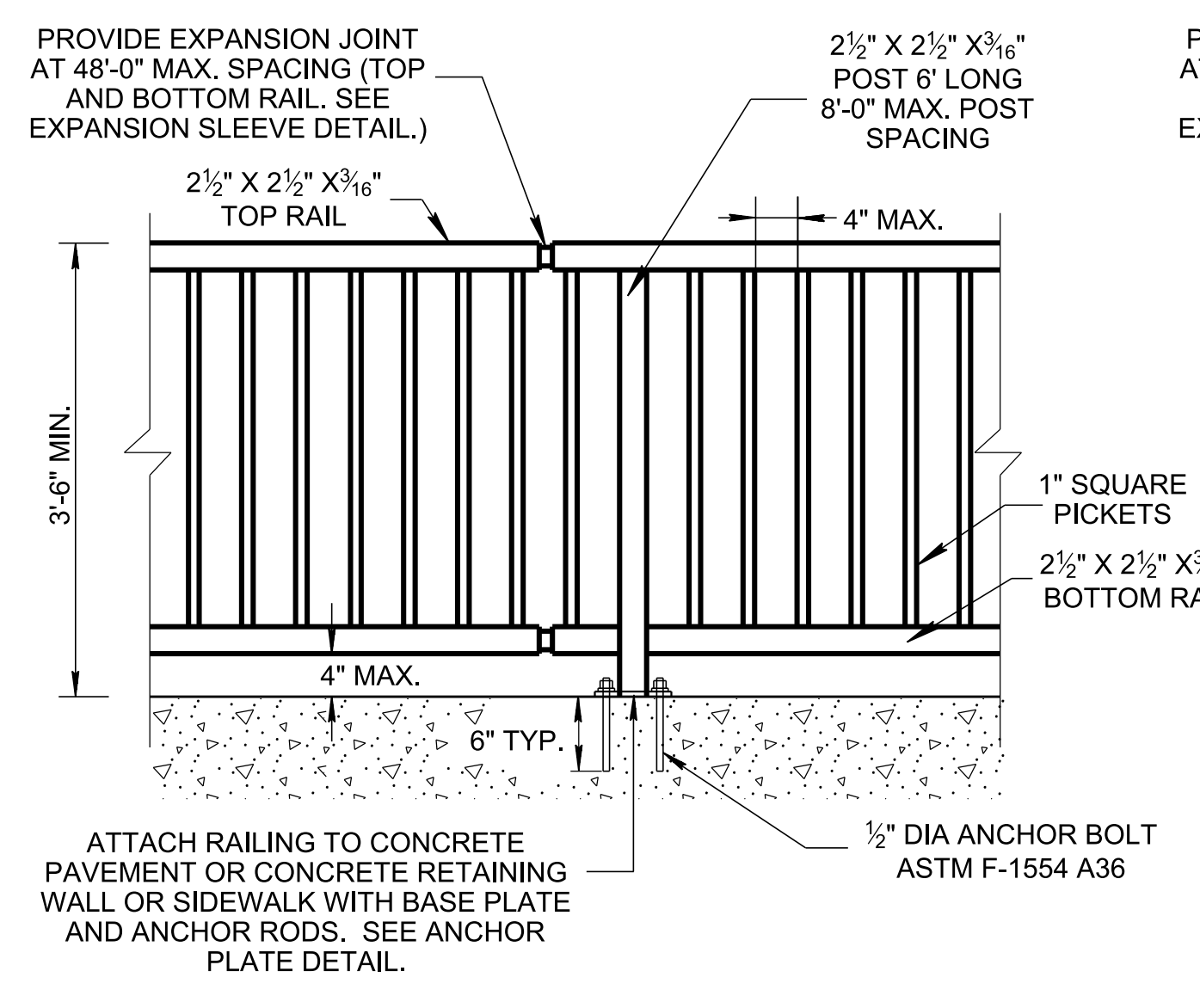
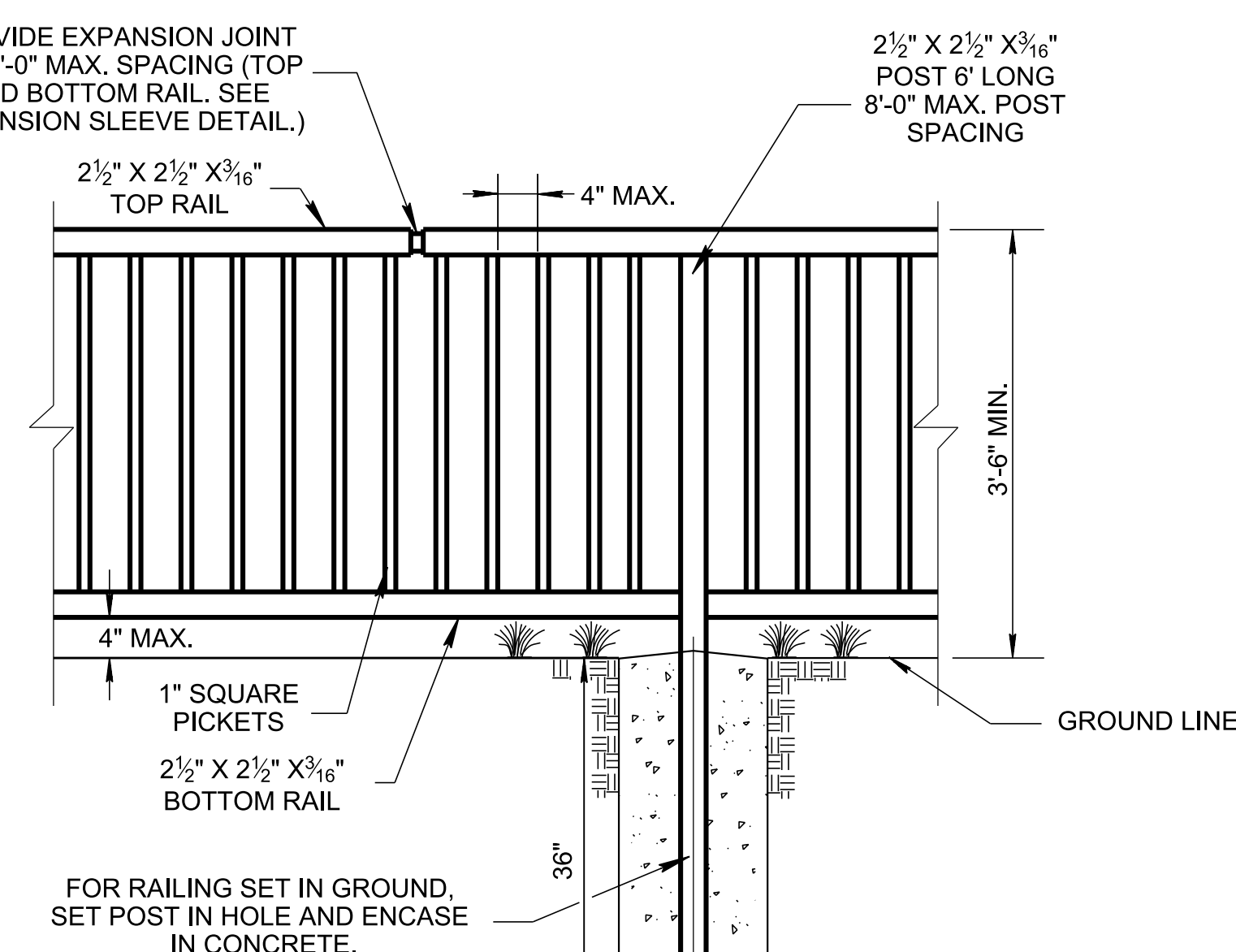


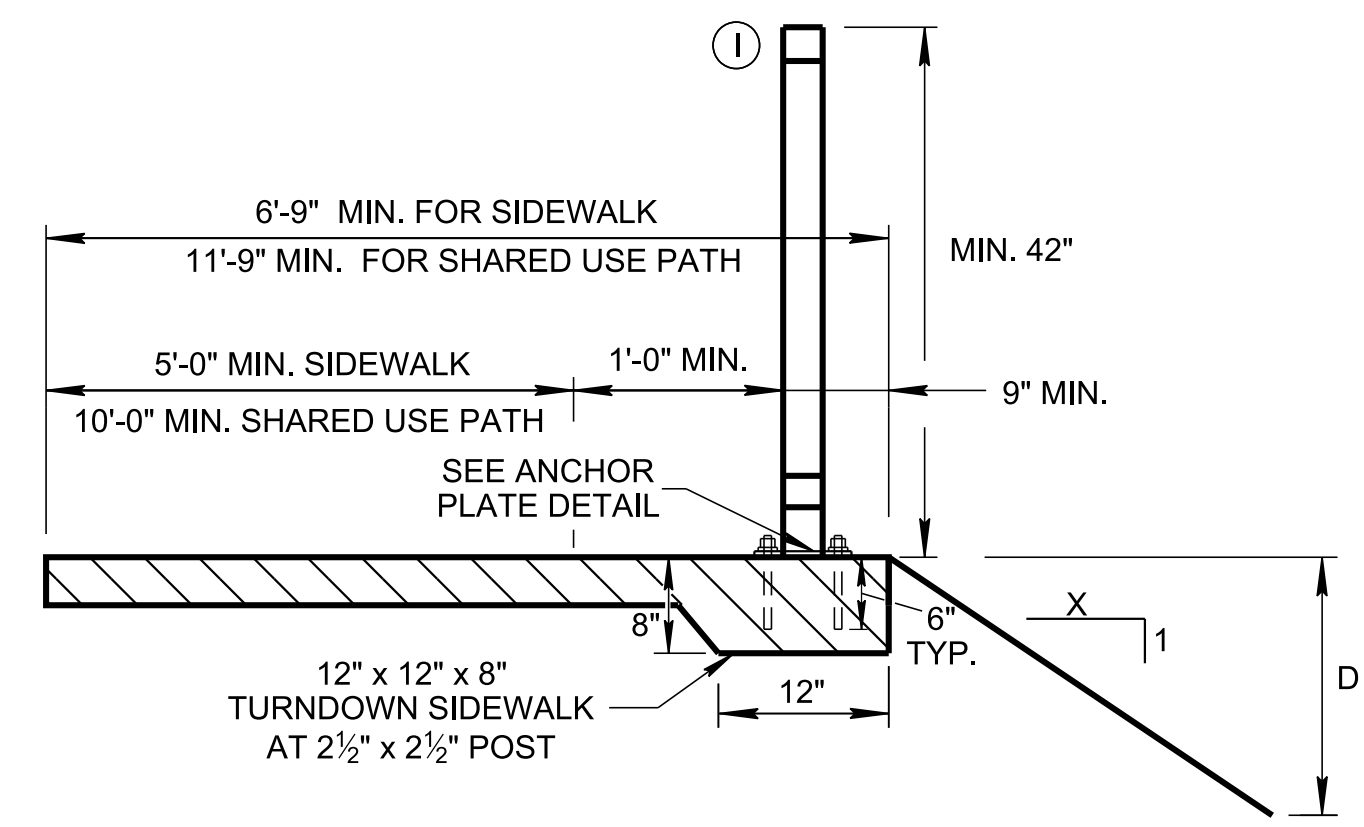
8/20/2024 9:13:43 AM P:\StandDraw\DESIGN STANDARDS\Standards Drawings\Standard Roadway Drawings - CURRENT\In Progress\10-106.00 Multimodal IP\106.03 Safety Rail IP\REVISED IB 24-08\MMBPR1-20240730.dgn



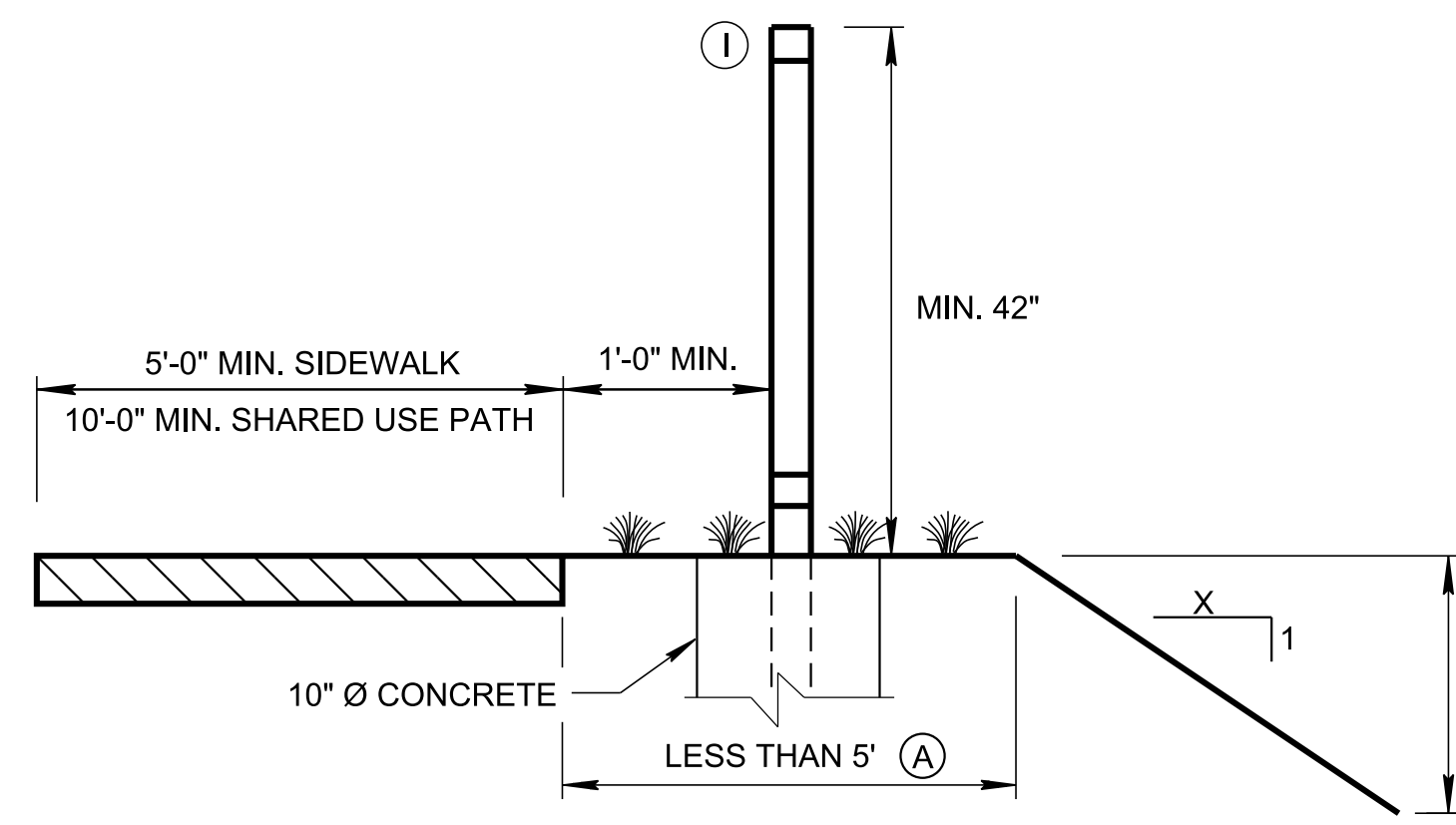
SAFETY RAIL POST BOLTED TO CONCRETE



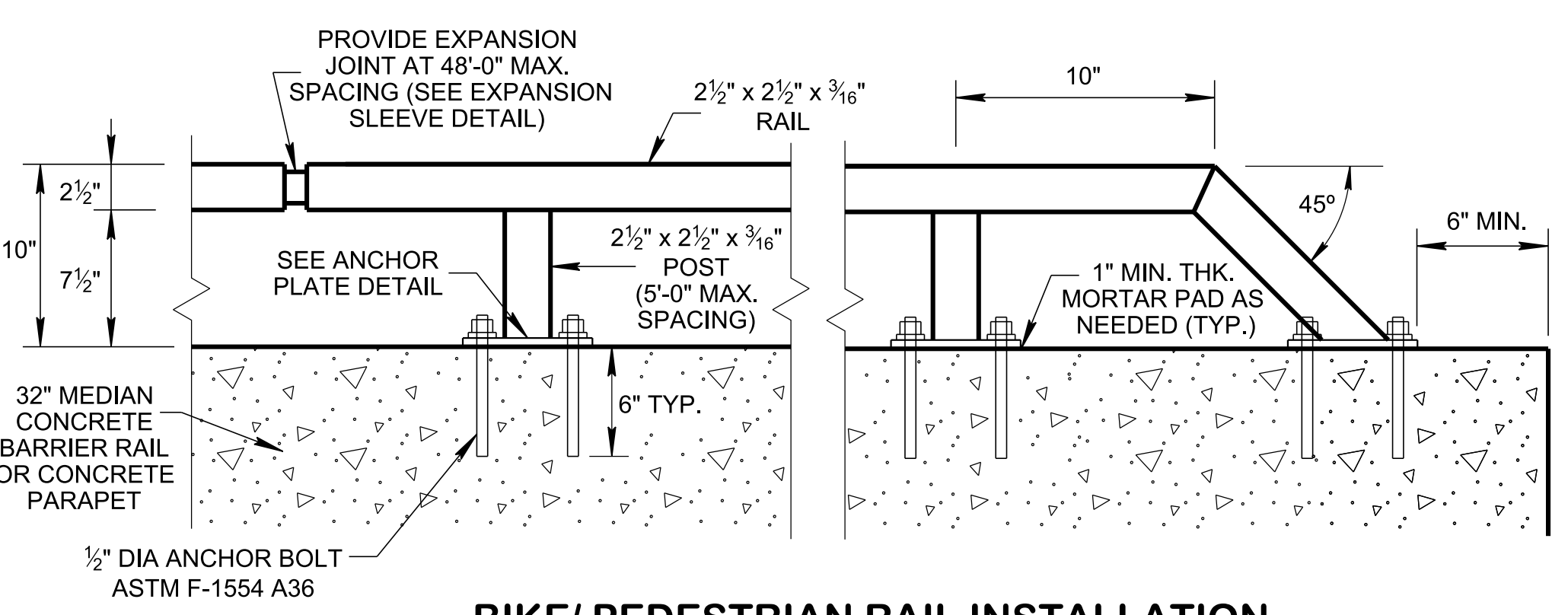
SAFETY RAIL POST SET IN GROUND



SECTION VIEW FOR POST SET IN SIDEWALK

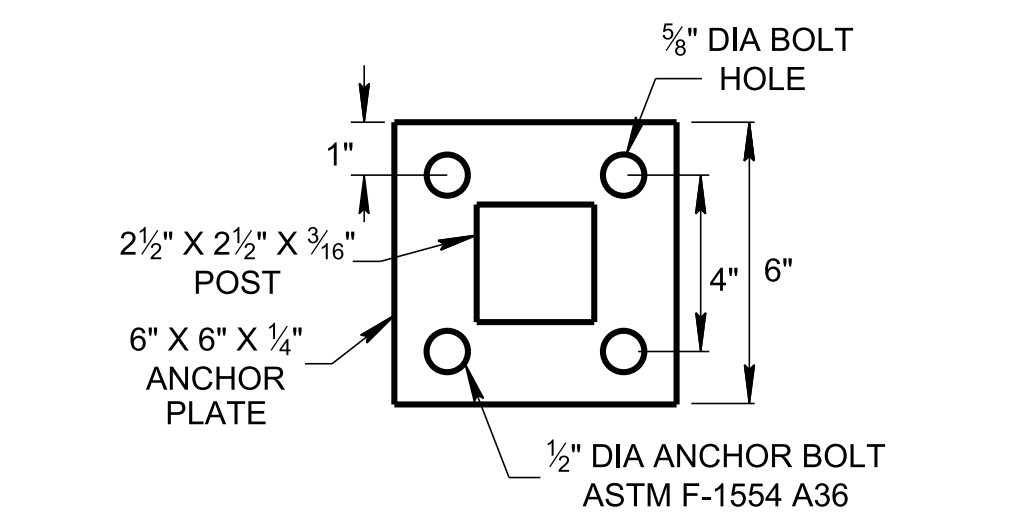


SECTION VIEW FOR POST SET IN GROUND

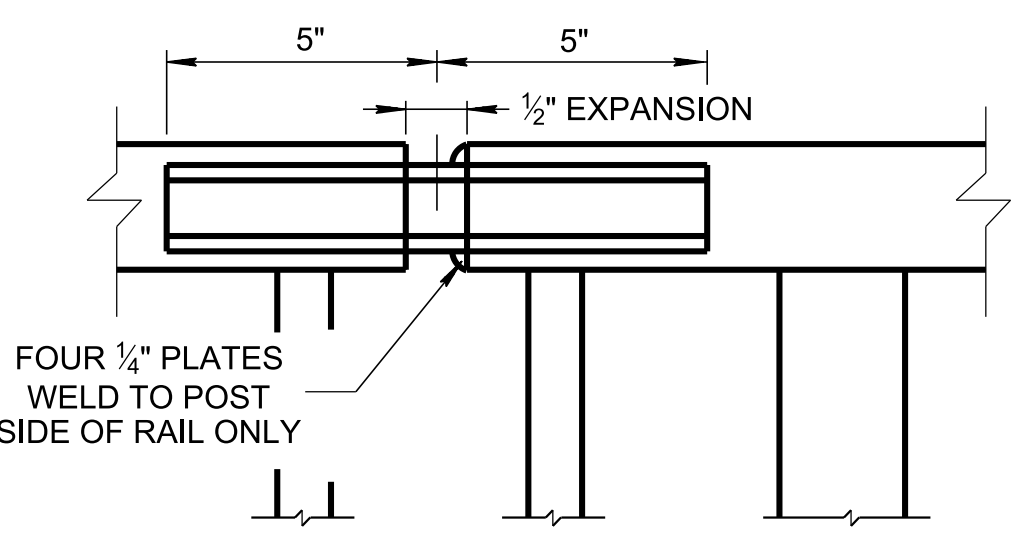


BIKE/ PEDESTRIAN RAIL INSTALLATION ON 32" CONCRETE MEDIAN BARRIER OR CONCRETE BRIDGE PARAPET RAIL

(TO PROVIDE MIN 42" HIGH, INSTALL 10" BOX TUBE SAFETY RAIL ON 32" MEDIAN CONCRETE BARRIER RAIL OR ON CONCRETE PARAPET SEE STD. DWG. MM-BPR-2 AND MM-BPR-3)



ANCHOR PLATE DETAIL



EXPANSION SLEEVE DETAIL

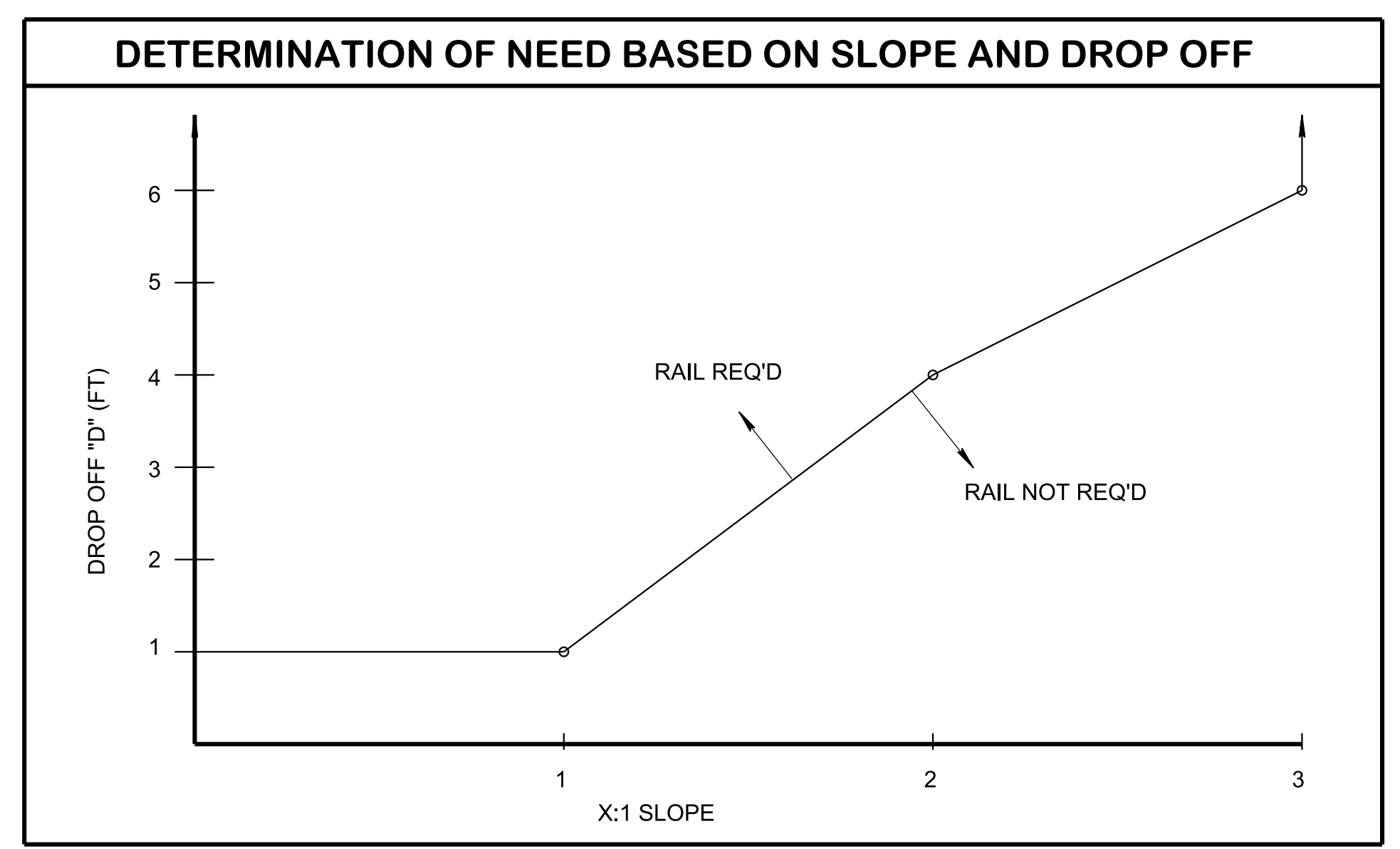
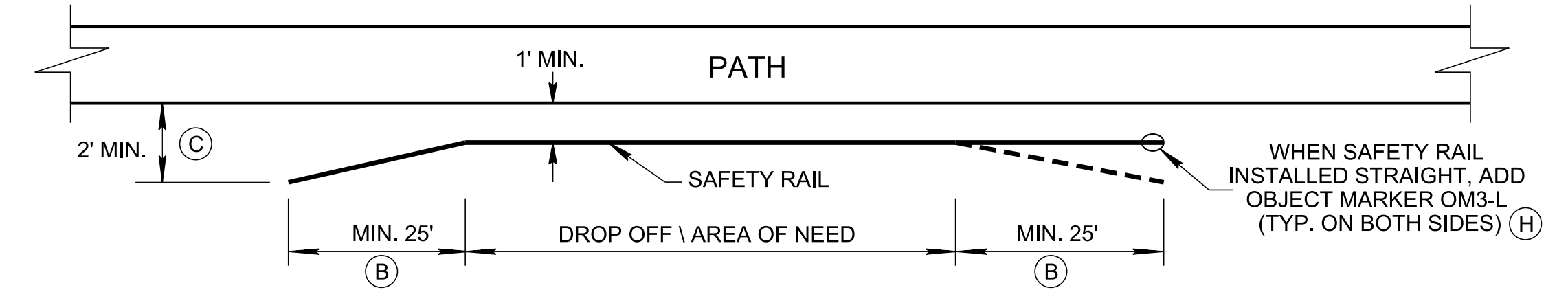
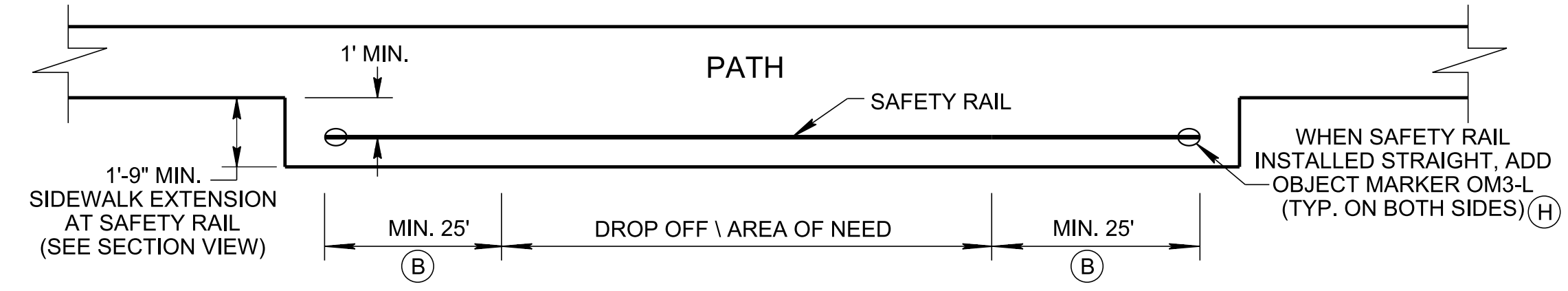


FIGURE 1

BASED ON AASHTO BIKE GUIDE (CONSIDER PEDESTRIAN SAFETY RAIL AT LOCATIONS MORE THAN 30" DROP OFF (1:1 OR 2:1 SLOPE))



TYPICAL PLAN VIEW SIDEWALK OR SHARED USED PATH



TYPICAL PLAN VIEW FOR SIDEWALK OR SHARED USED PATH EXTENSION AT SAFETY RAIL

GENERAL NOTES

- (A) TO DETERMINE IF SAFETY RAIL IS REQUIRED, REFER TO FIGURE 1 WHEN SHARED USE PATH OR SIDEWALK EDGE DROP OFF IS WITHIN 5'. INFORMATION IS PROVIDED FOR GUIDANCE ONLY, SOME SITES MAY REQUIRE A RAIL PER ENGINEERING JUDGEMENT. IF SIDEWALK IS ALONG A ROADWAY, SEE STANDARD DRAWING S-PL-6 FOR SAFETY HARDWARE PLACEMENT.
- (B) SAFETY RAIL SHALL BEGIN 25' BEFORE AND EXTEND 25' BEYOND AREA OF NEED.
- (C) SAFETY RAIL ENDS SHALL BE FLARED TO BEYOND 2' OF THE EDGE OF THE PATH OR MARKED WITH OBJECT MARKERS.
- (D) STEEL (INCLUDING ANCHOR BLOTS) SHALL CONFORM TO ASTM A36. WELD ALL COMPONENTS USE 3/16" FILLET WELDS. GRIND WELDS AND CONNECTIONS AS REQUIRED TO PROVIDE A SMOOTH SURFACE, FREE OF BURRS.
- (E) FIELD PAINT SAFETY RAIL AFTER INSTALLATION AS SPECIFIED IN THE CONTRACT DOCUMENTS.
- (F) DETAIL SHOWN IS FOR TOP RAIL. EXPANSION JOINT FOR BOTTOM RAIL IS SIMILAR.
- (G) SYSTEM REPLACEMENTS MAY BE ALLOWED PROVIDING THAT THE HEIGHT AND SPACING LIMITATIONS SHOWN ON THIS DRAWING ARE MET.
- (H) ALL COST ASSOCIATED WITH THE SAFETY RAIL INCLUDING BUT NOT LIMITED, FURNISHING, INSTALLING, PAINTING, AND THE OBJECT MARKERS WILL BE INCLUDED IN THE FOLLOWING ITEM NUMBERS.

WHEN BIKE/PED BOX TUBE SAFETY RAIL IS MOUNTED ON THE TOP OF CONCRETE BARRIER RAIL.	604-01.20	BOX TUBE SAFETY RAIL	PER LINEAR FOOT.
WHEN BIKE/PED BOX TUBE SAFETY RAIL IS ATTACHED ON SURFACE OR SET IN GROUND.	707-16.01	BIKE/PEDESTRIAN BOX TUBE SAFETY RAIL	PER LINEAR FOOT.
- (I) AS AN ALTERNATIVE, STANDARD RIGHT-OF-WAY CHAIN LINK FENCE, 4' HEIGHT MAY BE USED IN LIEU OF THE BOX TUBE SAFETY RAIL. SEE STANDARD DRAWING S-F-10B FOR CHAIN LINK FENCE DETAILS. ALL COST OF THE OBJECT MARKERS WILL BE INCLUDES IN ITEM NO. 707-01.01. CHAIN LINK FENCE IS TO BE PAID FOR UNDER ITEM NUMBERS:

707-01.01	CHAIN-LINK FENCE (4-FOOT)	PER L.F.
707-01.02	END & CORNER POST ASSEMBLY(CHAIN-LINK FENCE 4')	PER EACH
707-01-04	GATE - CHAIN-LINK FENCE-4 FOOT (DESCRIPTION)	PER EACH

REV. 10-16-20: REVISED ANCHOR BOLTS SIZE. UPDATED GENERAL NOTE (D).
 REV. 01-28-2022: ADDED SECTION VIEW FOR POST SET IN SIDEWALK, TYPICAL PLAN VIEW FOR SIDEWALK EXTENSION AT SAFETY RAIL, AND SAFETY RAIL INSTALLATION ON BIKE/PED 32" CONCRETE MEDIAN BARRIER RAIL OR PARAPET DRAWINGS. REMOVED ALTERNATE PLAN VIEW AND ALTERNATE INSTALLATION DRAWINGS. GENERAL NOTE (I) WAS ADDED. ADDED NOTE UNDER FIGURE 1.
 REV. 07-30-2024: REVISED GENERAL NOTE (H), AND ADDED NEW ITEM NUMBER 707-16.01. CHAIN-LINK ITEM NUMBERS WERE MOVED TO GENERAL NOTE (I).

(Replaced Std Dwg S-BPR-1)

STATE OF TENNESSEE
 STANDARD DRAWING
 DEPARTMENT OF TRANSPORTATION

BIKE AND PEDESTRIAN SAFETY RAIL

01-07-2019 MM-BPR-1